



Memco Panachrome

2D/3D 10mm Profile

Installation Guide

Ref No. C510 850GB Version 1 (ML)

1. Detector Installation

The Panachrome 10mm 3D/2D detectors can be fitted to centre-opening or side-opening doors. For the visual indicators to be effective, the system can be installed in dynamic mode, where at least one of the detectors is fixed to a moving door or in static mode. TX detector must be fitted to left side of lift when viewed from landing.

Installation Notes - 2D/3D

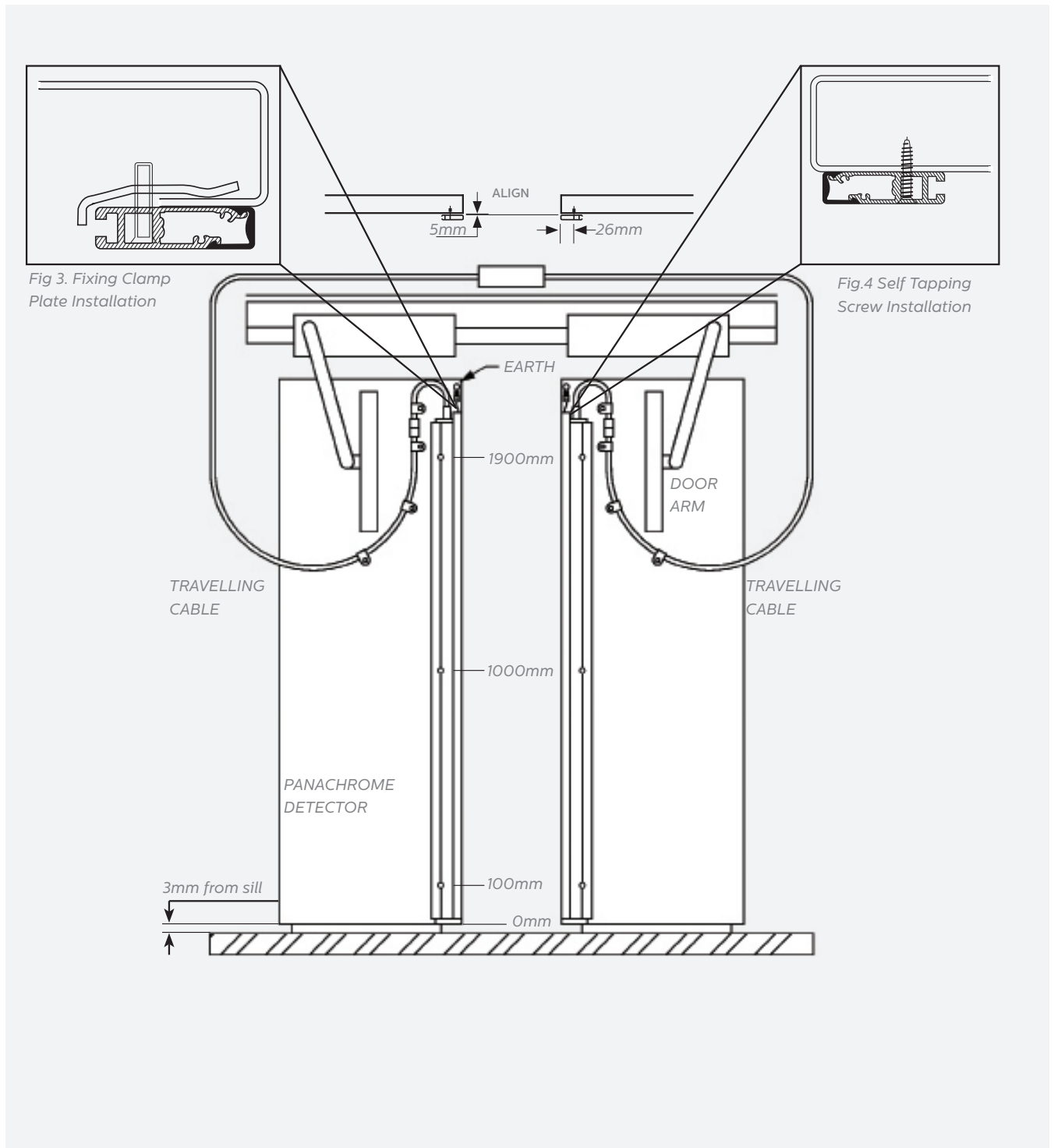
1. Screw the earth ring tag to the lift door using a No.8 screw and a shakeproof washer. The earth must be fitted to ensure the unit is properly grounded
 2. Check also that the door itself is grounded to the lift
 3. Use a P-clip either side of the pluggable connectors, to reduce the risk of plug and socket separating
 4. Do not shorten Memco cables by cutting them.
 5. Position the detectors on the doors approximately 3mm above the door sill
 6. Mark or spot through the 3 fixing holes. See Fig 1.
 7. Remove the detectors from the door before drilling
 8. Drill the 3 fixing holes in the door using a 3mm drill
 9. Screw the detector to the door using the No.6 self-tapping counter sunk screws provide
- Finally check that the detectors are aligned with each other.

Installation Notes - 3D

When installing a Panachrome 3D system, the following precautions must be observed for trouble-free operation:

1. Always mount the detectors as close to the door edge as possible.
2. Sight-Guards cannot be used with Panachrome 3D detectors.
3. For opening exceeding 1200mm, it is recommended that 'As Doors Close' mode is used.
4. The detectors must be set no more than 10mm apart when the doors are fully closed. The detectors must be aligned to within ± 8 mm of the detector centreline.
5. 3D Switch Settings are detailed on the inside of the Main Controller C3850 000.

Mounting Diagram



PA10 IG V01(GB): PA_01/062017

AVIRE

Memco is a brand of Avire

Avire Ltd

Unit 1, The Switchback
Gardner Road
Maidenhead
Berkshire
SL6 7RJ, UK

T: 01628 540100
F: 01628 621 947
E: sales.uk@avire-global.com
W: www.memco-global.com
W: www.avire-global.com

