



Pana40 Plus

2-in-1 & 3-in-1 Mechanical Edges Installation Guide

Ref No. 745 850 (ML) V01

INSTALLATION

Dynamic Installation

- + Position each detector 5mm above the sill
- + Ensure that the detectors are aligned level and straight with each other
- + Please refer to the lift/elevator OEM manual for the correct installation of the mechanical safety edges
- + Secure the cables with the P-clips and screws provided. Ensure there are no tight bends and the cables are not stressed or stretched as the doors move

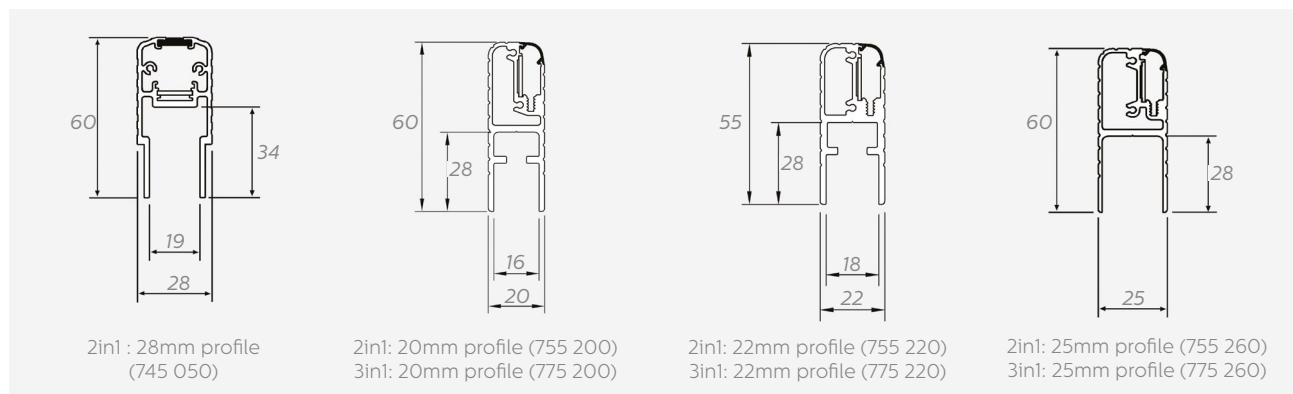


Fig 1: Profiles

Connect with 841 Controller

Pana40 Plus edges must be installed with an 841 Pana40 Plus Controller. Refer to the Controller Installation Guide for details on configuration.



AVIRE

Memco is a brand of Avire

Avire Ltd

Unit 1, The Switchback
Gardner Road
Maidenhead
Berkshire
SL6 7RJ, UK

T: 01628 540100
F: 01628 621947
E: sales.uk@avire-global.com
W: www.memco-global.com
W: www.avire-global.com



Pana40 Plus

二合一和三合一机械触板

安装说明书

参考编号745 850 (ML) V01

安装

动态安装

- + 将每个探测器定位在地坎上方5mm处
- + 确保探测器在水平和垂直方向相互对齐
- + 请参阅电梯/升降机OEM手册以了解机械安全触板的正确安装信息
- + 使用提供的P型夹和螺钉固定电缆。确保电缆弯角不要太小，并且电缆在电梯门移动时不会受到外力的挤压或拉伸

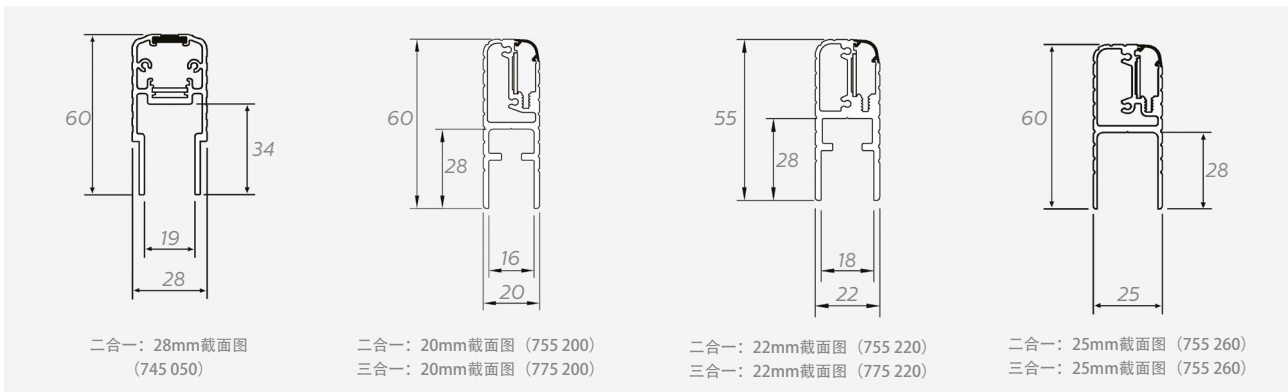


图1：侧面像

连接到841控制器

Pana40 Plus触板必须与841 Pana40 Plus控制器一起安装。有关配置的详细信息，请参阅“控制器安装说明书”。



AVIRE

Memco is a brand of Avire

Avire Elevator Technology Shanghai Ltd

4th floor,
G Building, 1999 -2059 Du Hui Road
Shanghai 201108, China

T: +21 64953748
F: +21 64859264
E: sales.cn@avire-global.com
W: www.memco-global.com
W: www.avire-global.com

