

Memco Panachrome

2D/3D 43mm Profile

Installation Guide

Ref No. C540 850GB Version 1

1. Detector Installation

The Panachrome 43mm 3D/2D detectors can be fitted to centre-opening or side-opening doors. For the visual indicators to be effective, the system should only be installed in dynamic mode, with at least one of the detectors fixed to a moving door. TX detector must be fitted to left side of lift when viewed from landing.

Installation Notes - 2D/3D

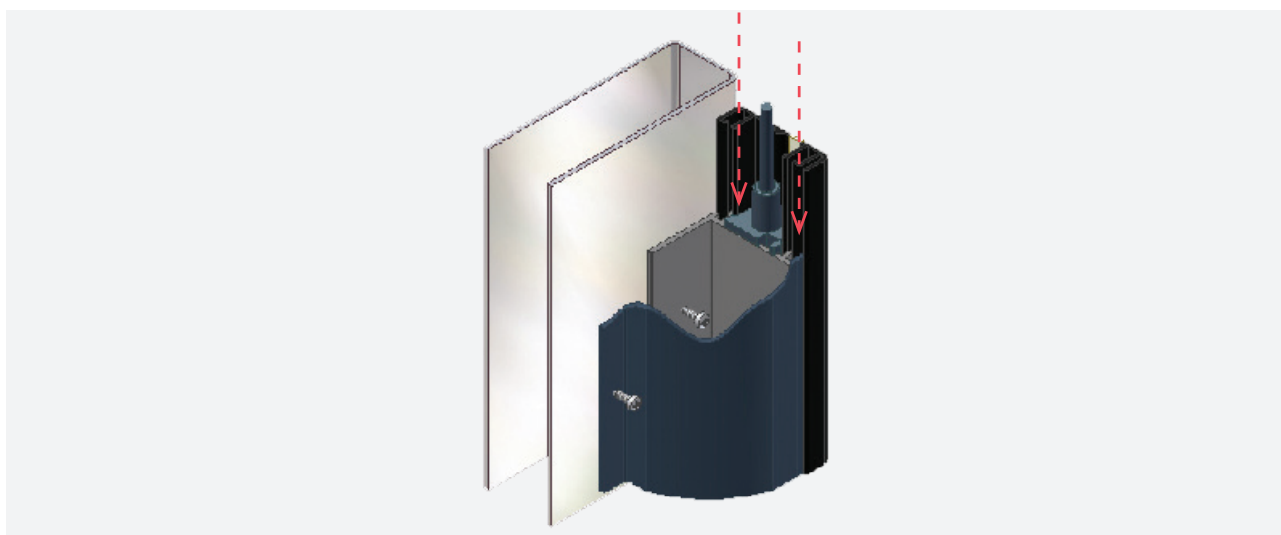
1. The landing doors must not lead the car doors by more than the suggested permissible amount as shown in Fig 1.
2. Screw the earth ring tag to the lift door using a No.8 screw and a shakeproof washer
3. The earth must be fitted to ensure the unit is properly grounded
4. Check also that the door itself is grounded to the lift
5. Use a P-clip either side of the pluggable connectors, to reduce the risk of plug and socket separating
6. Do not shorten Memco cables by cutting them.
7. Detectors should be aligned as closely as possible for reliable operation

Installation Notes - 3D

1. When installing a Panachrome 3D system, the following precautions must be observed for trouble-free operation:
2. Always mount the detectors as close to the door edge as possible.
3. Sight-Guards cannot be used with Panachrome 3D detectors.
4. For opening exceeding 1200mm, it is recommended that 'As Doors Close' mode is used.
5. The detectors must be set no more than 10mm apart when the doors are fully closed. The detectors must be aligned to within ± 8 mm of the detector centreline.
6. 3D Switch Settings are detailed on the inside of the Main Controller C3850 000.

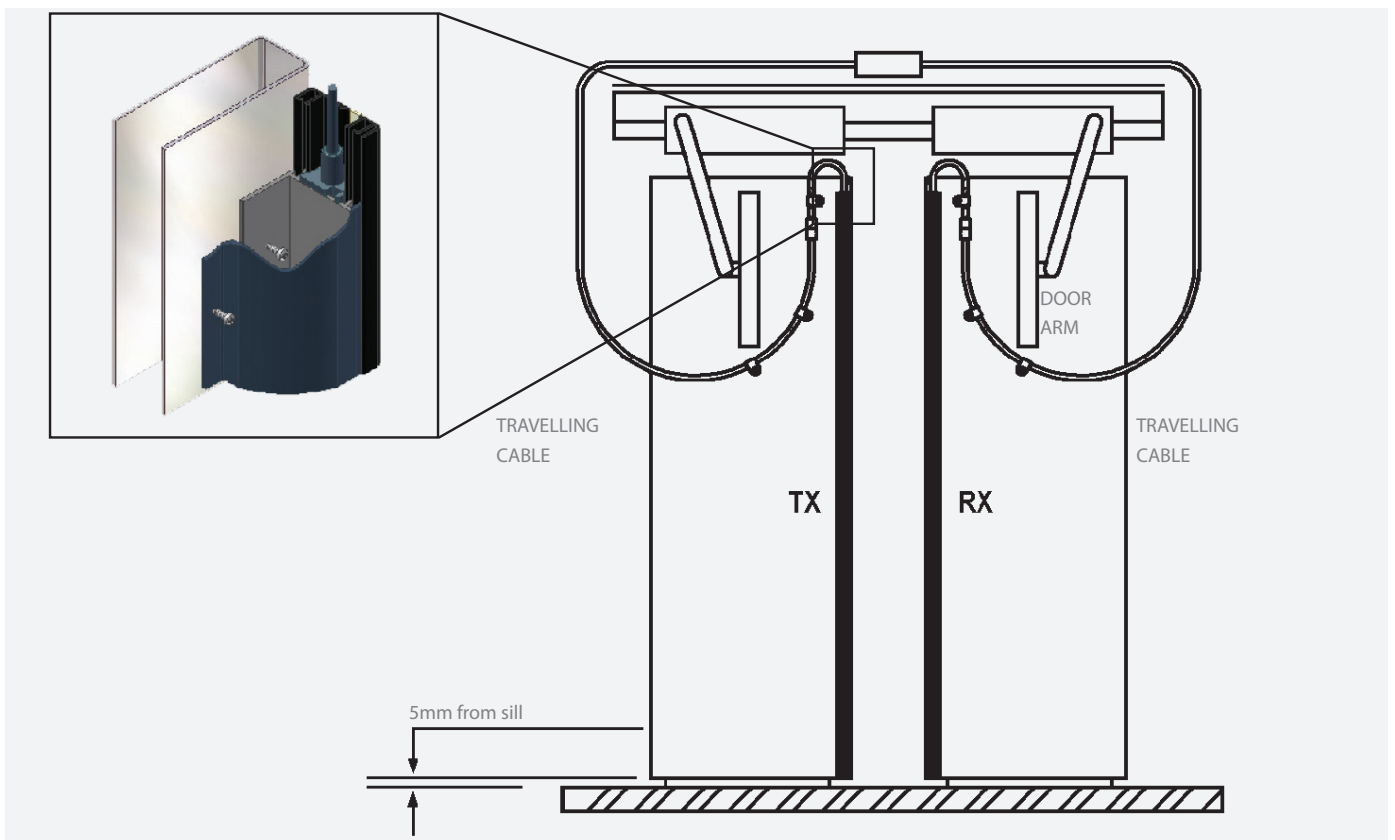
2. To Remove Panachrome from fixing L-Bracket

This is done by leveraging the main detector from the bracket attachment



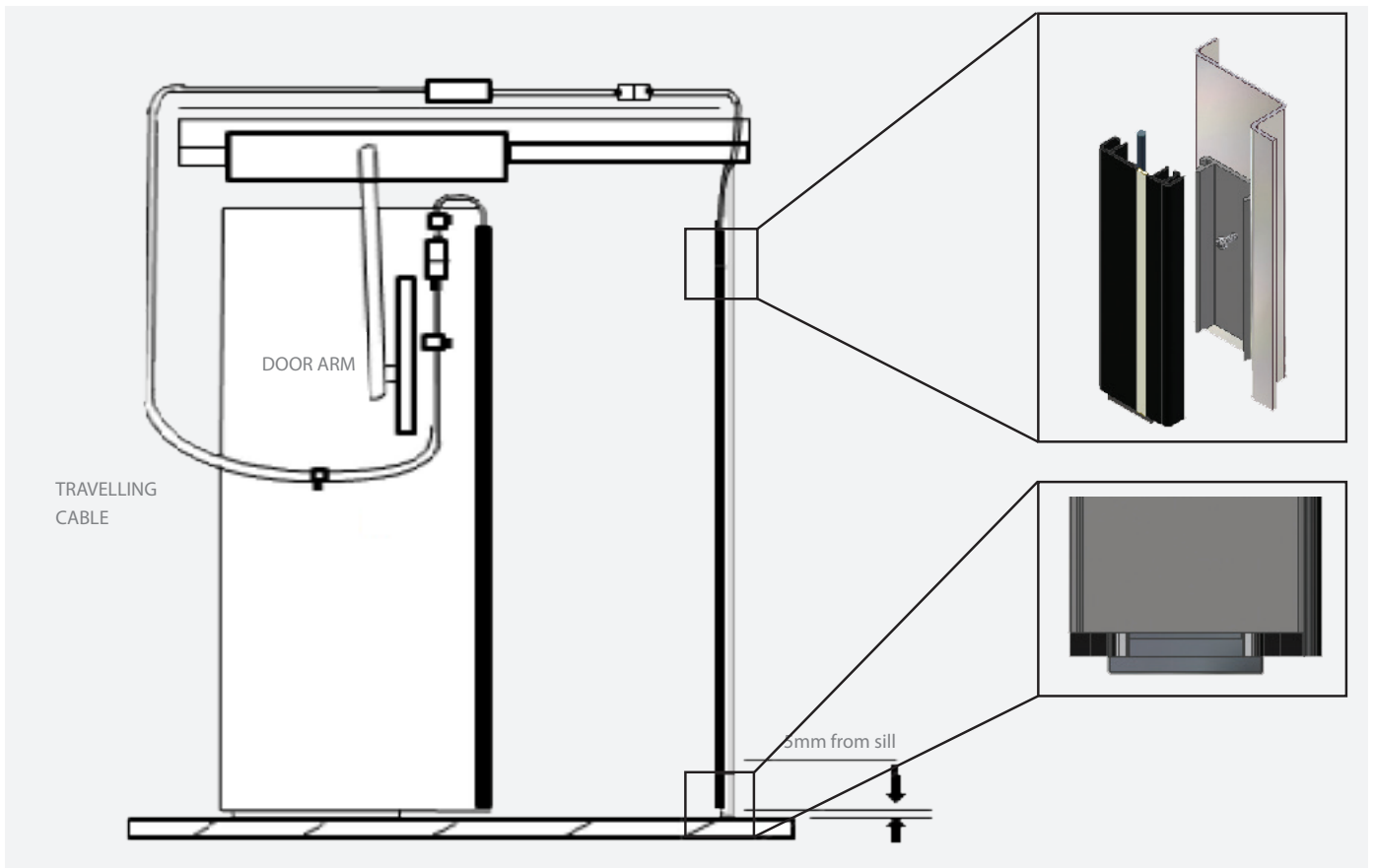
3. Mounting Diagram

Centre opening doors with both detectors fitted to the leading edge



Mounting Diagram

Side opening doors with RX detector fitted to the slam

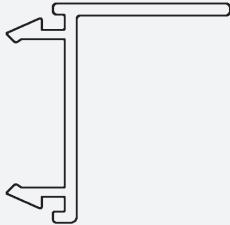


4. Step by Step Guide

Fitting detector to door (Centre-Opening)

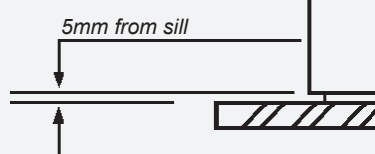
Step 1

Using the correct mounting bracket



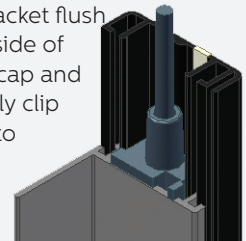
Step 2

Do not fit the Flat-Bracket to the detector, first position bottom of Flat-Bracket on slampost 5mm above car sill



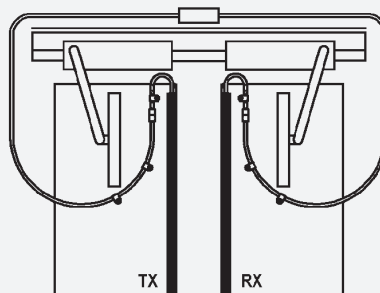
Step 3

If L-Bracket is not fitted then position bracket flush with underside of cable end-cap and progressively clip detector into bracket



Step 5

Attach cable securely with the P-clips and screws provided. Avoid tight bends while providing enough slack so that cables are not stressed or stretched as the doors move.



Step 4

Secure L-Bracket to door using screws provided. Locate screws approximately 75mm from top and bottom and equally space remaining screws.

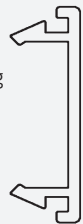
4. Step by step guide

Fitting Detector to Door (Side Opening)

Step 1

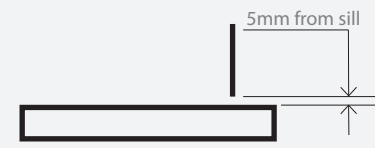
Using the correct mounting bracket

Flat-Bracket for mounting on Slampost or Leading edge of door



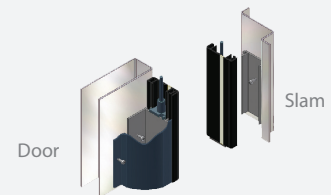
Step 2

Do not fit the Flat-Bracket to the detector, first position bottom of Flat-Bracket on slampost 5mm above car sill



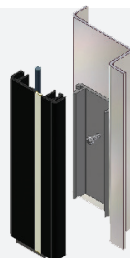
Step 3

Remember to ensure the detector will align exactly with the detectors mounted on the door when the door closes



Step 5

Position underside of cable end cap and flush with top of bracket. Clip detector into bracket



Step 4

Secure the Flat-Bracket to the slampost using the screws provided. Ensure screws are centred and evenly spaced along length of bracket.

AVIRE

Memco is a brand of Avire

AVIRE Ltd

Unit 1, The Switchback
Gardner Road
Maidenhead
Berkshire
SL6 7RJ, UK

T: 01628 540 100
F: 01628 621 947
E: sales.uk@avire-global.com
W: www.memco-global.com
W: www.avire-global.com

