

MEMCO® Power Supply Unit

Product Datasheet



KEY FEATURES

- Robust housing
- Isolates light curtains from lift control circuitry and power systems
- Provides a regulated 24VDC power supply
- Detector trigger pass through

MEMCO power supply unit (PSU) offers regulated 24VDC power supply for selected MEMCO curtains.

The primary purpose of the PSU unit is to provide a regulated power supply for the light curtain.

- AC/DC Power Supply
- 100/240VAC
- 24VDC
- Regulated DC Supply
- Detector trigger pass through
- Green power LED

Safety Standards

- UL (UL13310)
- CE/EMC (EN12015, EN12016, EN61000-4-5, IEC61000-4-5:2001)
- CE/LUD (EN61558-1, EN61558-2-16)
- ROHS Compliant

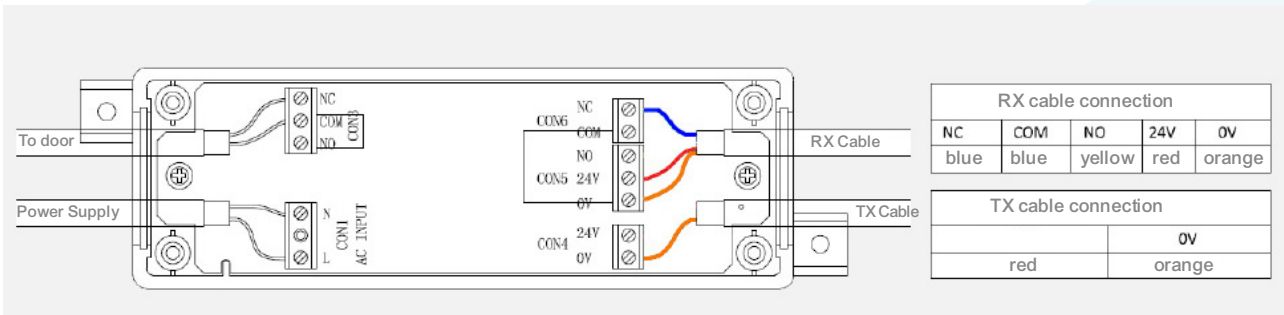


Fig 1: Relay output NC & COM wiring diagram

TX and RX cables are internally linked (using white wire) to provide power and communications.

Technical Specification

P1500 500	
Input voltage	100/240VAC
Output voltage	24VDC nominal
Output current	200mA max
Compatibility Safety Edges	P1500
Housing	High impact strength plastic box. 172mm (L) x 50mm (W) x 30mm (H)
Net weight	123 grams
Connections	Screw terminal blocks
Turn on delay	2 seconds max.
Operating temperature range	-10 - 60°C
Operating humidity range	10 - 90% RH (not condensing)

Ordering Information

Part No.	Product Description
P1500 500	Power Supply Unit 100/240VAC Relay output

This product is designed for use in elevators with powered automatic doors where the closing energy is less than 10J in normal operation and less than 4J during de-activation of the light curtains or less as per EN81 requirements. It should be installed by qualified personnel only, therefore any use outside of this application is at the installer's own risk and should be assessed appropriately.

As a result of our policy of continual improvement, the information in this document is subject to change without notice and it is intended only as general guidance on product performance and suitability. This information shall not form part of any contract.