



Part #: 2400-808SSPC2

Specifications:

Dimensions:	Face Plate: 10" H x 6-17/25" W Back Box: 9-7/8" H x 6-1/2" W x 3" D Cover: 9-3/4" H x 6-1/2" W x 1-1/4" D
Mounting:	Flush Mount
Design:	Brushed Stainless Steel
Warranty:	2 Years

Code Compliance:

- International Building Code (IBC)
- National Fire Protection Association (NFPA)
- Americans Disabilities Act (ADA)

Power Requirements:

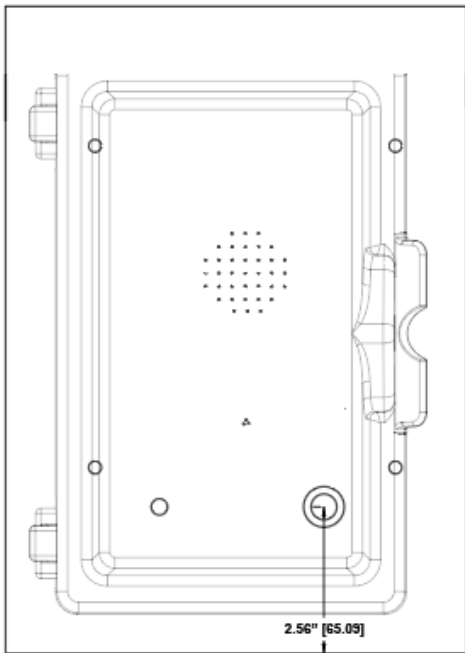
- Designed to be powered from the Distribution Module and requires a single pair from the Distribution Module

Programming Features:

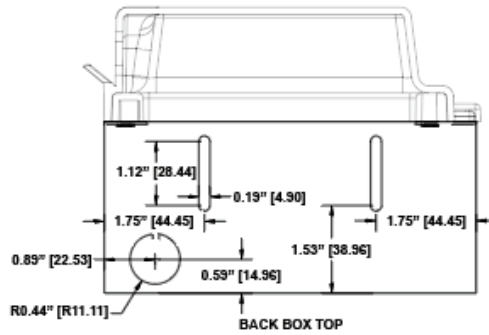
- Programmable with up to 2 emergency phone numbers
- On-site programming
- Recordable location message (25 seconds)
- On-site programming capability with numeric programming

Phone Capabilities:

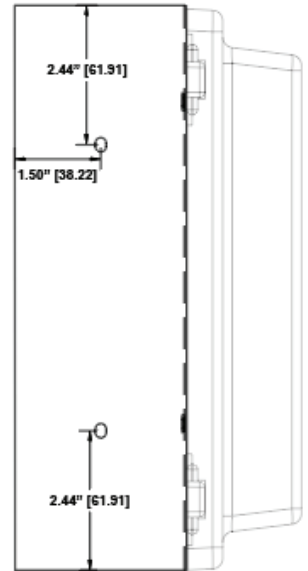
- Recordable location message (25 seconds)
- Automatic dialer (31 digit programmable memory)
- Automatic answer feature with audible ring



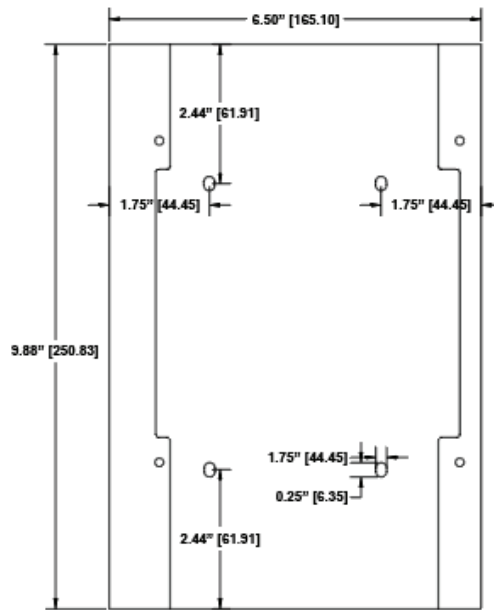
COVER FRONT



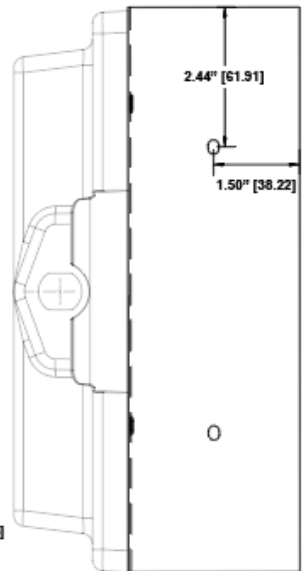
BACK BOX TOP



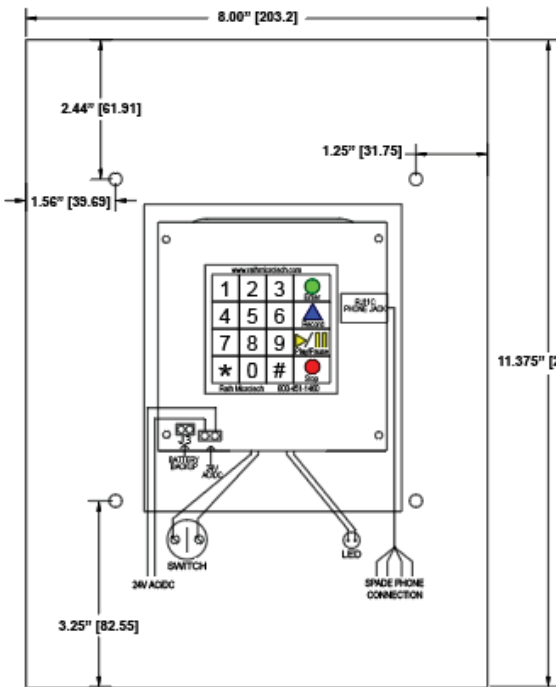
BACK BOX LEFT SIDE



BACK BOX FRONT

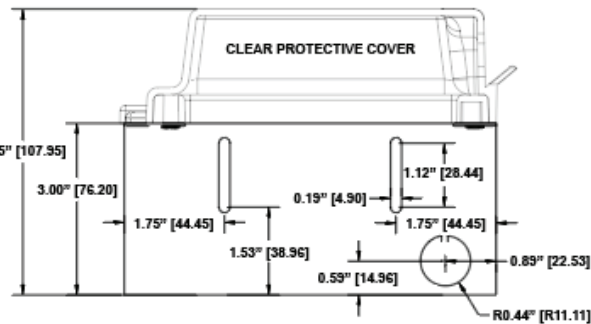


BACK BOX RIGHT SIDE



COVER BACK

11.375" [288.93]



BACK BOX BOTTOM