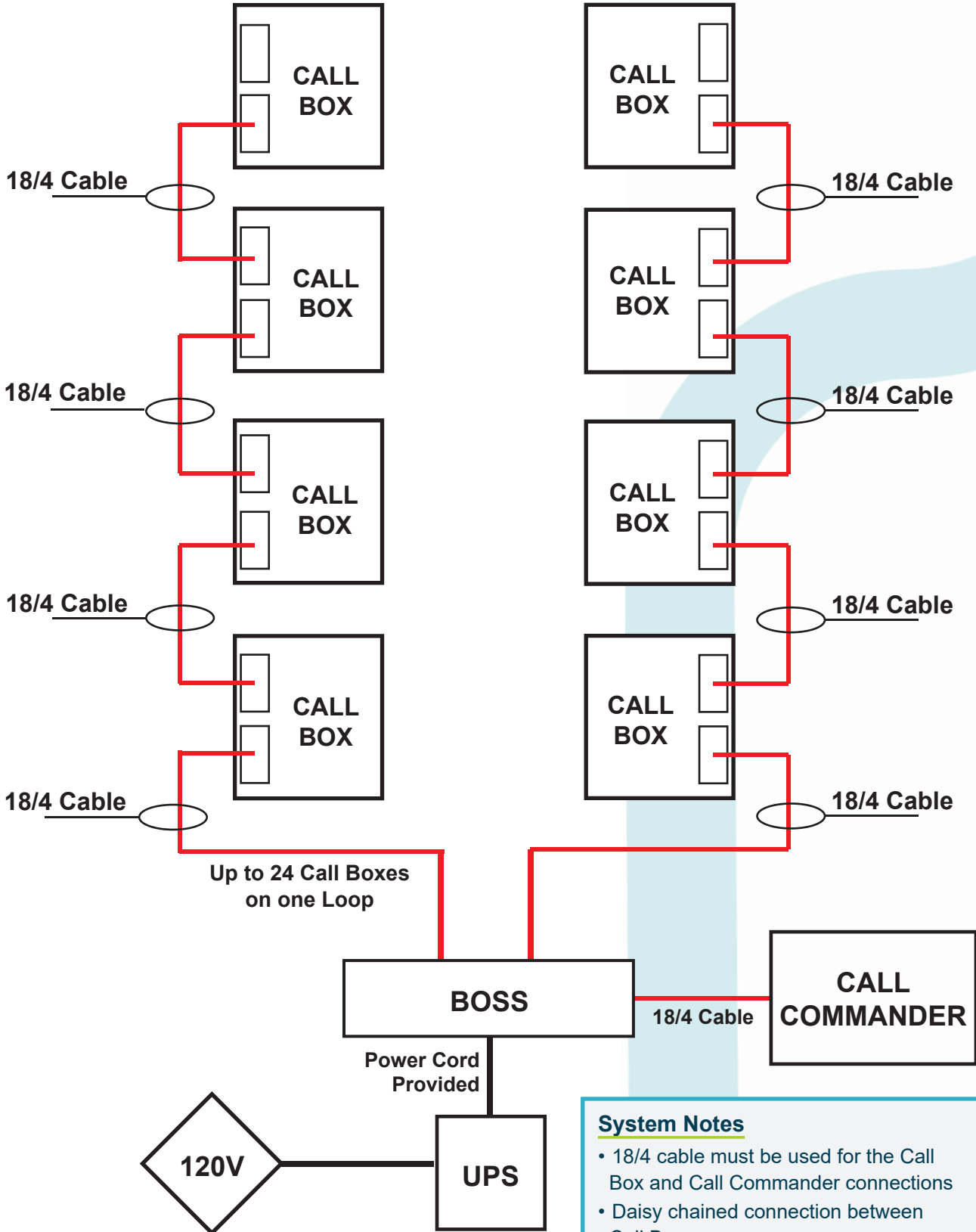


SmartCommand Typical System Layout



System Notes

- 18/4 cable must be used for the Call Box and Call Commander connections
- Daisy chained connection between Call Boxes
- Optional programmable outputs available