

Command System Call Box

2400-808NSP



CODE COMPLIANCE:

- International Building Code (IBC)
- National Fire Protection Association (NFPA)
- Americans Disabilities Act (ADA)

POWER REQUIREMENTS:

- Designed to be powered from the Distribution Module and requires a single pair from the Distribution Module

PROGRAMMING FEATURES:

- Programmable with up to 2 emergency phone numbers
- On-site programming
- Recordable location message (25 seconds)
- On-site programming capability with numeric programming

PHONE CAPABILITIES:

- Recordable location message (25 seconds)
- Automatic dialer (31 digit programmable memory)
- Automatic answer feature with audible ring

OPTIONAL FEATURES:

- Mushroom push button

Specifications:

Dimensions: Face Plate: 9-1/2" H x 7-1/2" W **Back Box:** 8" H x 6" W x 3" D

Mounting: Flush Mount

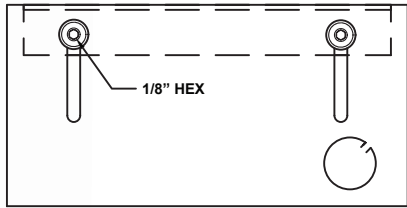
Design: Brushed Stainless Steel

Warranty: 2 Years

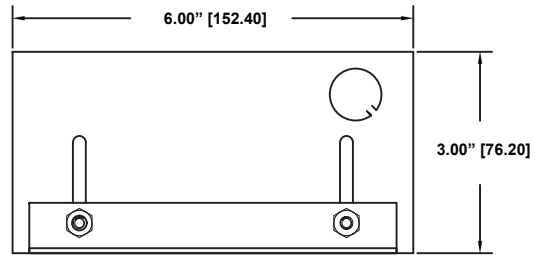
Command System

Call Box

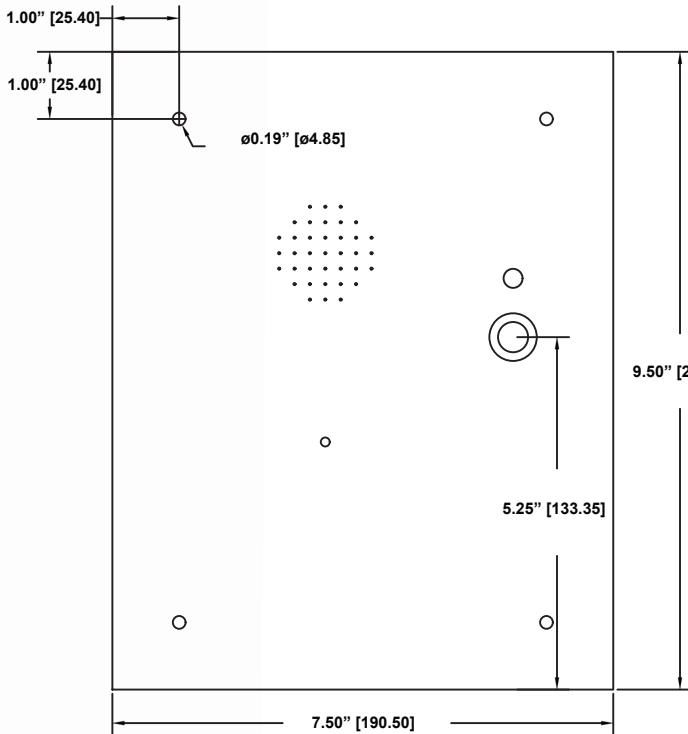
2400-808NSP



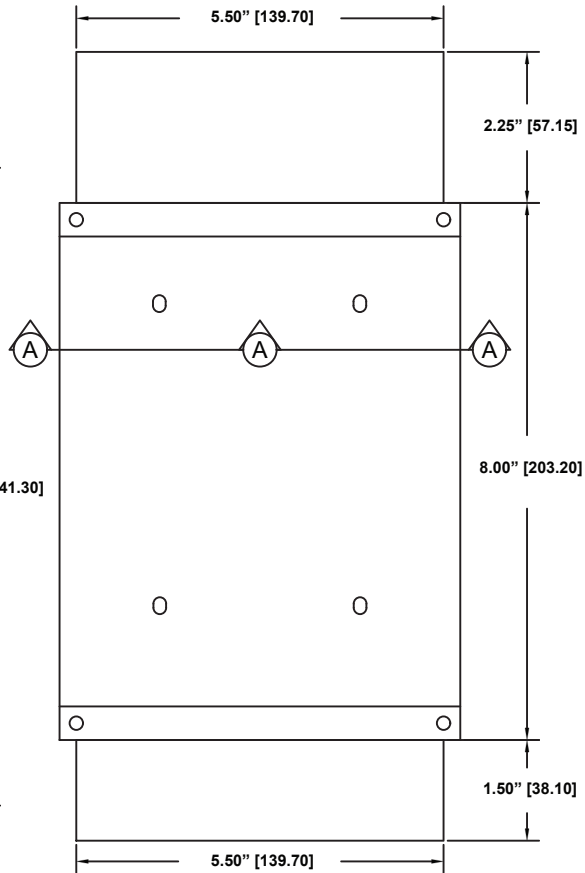
(A) INTERIOR ELEVATION



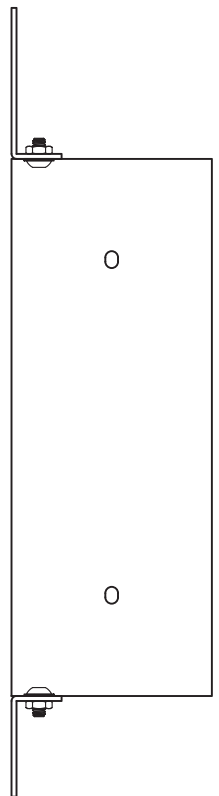
BACK BOX TOP



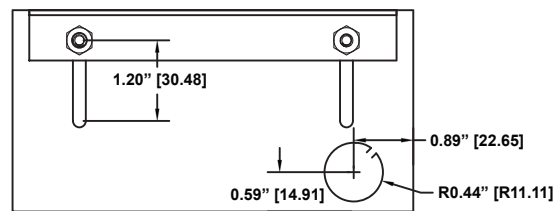
COVER FRONT



BACK BOX FRONT



BACK BOX SIDE



BACK BOX BOTTOM