

DCP Evo Datasheet



Bring your emergency telephone system into the digital age with the EN-81-28 compliant MEMCO Digital Communications Platform (DCP).



Scan the QR code to take a closer look at the 3D model

The DCP Evo

Combining a GSM gateway, lift emergency telephone and M2M gateway into a single device, the DCP Evo is the brain of your modern emergency telephone system.

The latest in a line of world leading emergency telephone gateways, the DCP Evo offers both VoLTE and VoIP capability and introduces new features to help ensure you can take full advantage of your lift monitoring real estate.

FULL-TIME CONNECTION

The DCP Evo allows for full time connection to our cloud-based monitoring platform, the Avire Hub. Benefits include:

- ✓ Help ensure the DCP stays connected and is accessible
- ✓ Real-time data is available when connected to the Lift Controller or complementary Avire MEMCO products such as the Avire Hub (Lift Monitoring Software) and Navigation Box

ADDITIONAL INTERFACES FOR VERSATILE INSTALLATION

The DCP Evo provides tailored support for diverse lift installation scenarios. Interfaces include RJ-11; CAN Bus; Serial (RS232 or RS422/485); Micro-USB; General Purpose I/O

DATA ENCRYPTION FOR ENHANCED SECURITY

Transport Layer Security (TLS) ensures the encryption of all data traffic. Safeguarding the device and your crucial data.

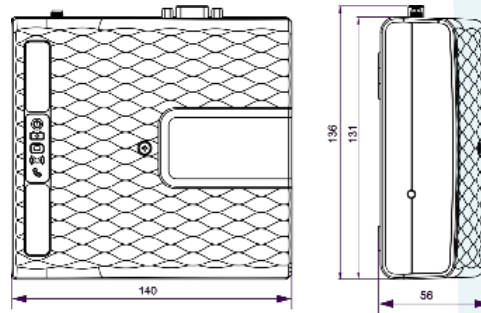
VOIP CAPABLE – COMING SOON

Future-proof your system with VoIP connectivity. Available as an optional Over-The-Air firmware upgrade in mid-2024.

MEMCO by AVIRE has been offering lift safety and communication solutions since 1971. With manufacturing locations in 3 countries and sales offices in 7 locations, our DCPs are the world's most trusted lift emergency telephone solutions. Installed in over 200,000 lifts across Europe to ensure passenger safety and compliance, we also offer local Support Services to ensure our customers receive the help they require.

Included in the box

- DCP Evo
- Installation Guide
- 4G antenna
- Wired power supply (24V/12W)
- Screw terminal connector
- Wall screws and plugs



DCP Evo Specification

| | |
|-------------------------|---|
| Power Input | 24 VDC \pm 10% |
| Power Supply (external) | Wired PS (100 - 240 VAC) / Wall plug PS (100 - 240 VAC) |
| Consumption | 2.4 to 10W |
| Internal Battery | 12V, NiMh 650 mAh Up to 3hrs of power |
| Operating Temperature | 0°C to 45°C |
| IP Rating | IP20 |
| Dimensions | 140 x 136 x 56mm |
| Networks | 2G, 4G |
| Voice Calling | 2G; VoLTE (4G); <i>(VoIP capable; available via OTA upgrade in mid-2024)</i> |
| Interfaces | RJ-11; CAN Bus; Serial (RS232 or RS422/485); Micro-USB; General Purpose Input/Output |
| SIM Slot | Single (2FF Standard/Mini) |
| Security | TLS |

DCP Ordering Information

| | |
|-----------------------|--------------------------------------|
| AC-ECM10-610-F-20-000 | DCP Evolution with RS232 Serial Port |
|-----------------------|--------------------------------------|

Optional Accessories Ordering Information

| | |
|-----------------------|---|
| AC-DAT18-120-F-0L-000 | Memco TOC DAU |
| AC-ALB02-100-0-0L-000 | LPBus Inductive Loop |
| AC-ASM00-100-F-00-000 | Can Bus Splitter - connects up to 4 DCP's |
| MC-SMM00-*** | Roaming SIM non-steered |
| AC-DAP18-100-F-00-000 | Digital audio 2 button pit phone with intercom functionality |
| MC-PNM00-100-A-00-000 | Machine Room Handset |
| AC-ATM00-050-0-00-000 | Extension Antenna for DCP 5 Metre |
| AC-ATM00-150-0-00-000 | Extension Antenna for DCP 15 Metre |
| TOC DAU Wiring Loom | Kone (KRM/KCE/LCE), Otis, Schindler, TKE TOC DAU wiring looms available |
| COP DAU Wiring Loom | Kone (KRM/KCE/LCE), Otis, Schindler, TKE COP DAU wiring looms available |
| Memcom Wiring Loom | Kone (KRM/KCE/LCE), Otis, Schindler, TKE Memcom wiring looms available |

FUTURE-PROOF YOUR LIFT EMERGENCY TELEPHONE

There are major network changes you should consider when deciding on the most appropriate lift emergency telephone.

- The switch from the analogue PSTN to digital planned for 2025
- The current phasing out of 3G services by all UK mobile network operators
- The planned 2G sunset by all UK mobile network operators

Stay ahead of the curve with a solution capable of utilising 4G VoLTE or VoIP* connectivity

(*VoIP available as an optional feature upgrade in mid 2024)

MOBILE NETWORK FLEXIBILITY AND RELIABILITY

- Supports voice (VoLTE) and data over 4G, with fall back to 2G. – so no PSTN landline required.
- The Avire M2M SIM Card** is a non-steered roaming SIM which connects to the network with the strongest signal, rather than a pre-determined network

(**Avire SIM sold separately)

EASE OF INSTALLATION

- Remote configuration via the Avire Hub, Avire mobile app or SMS
- Built-in signal strength tester for optimal lift shaft placement

COST EFFECTIVE SOLUTIONS

- Multiple remote configuration options reduce on-site engineer time
- Technical and configuration calls via the data network minimise voice call costs

BATTERY BACK-UP

- Built-in battery back-up allowing for up to 3hrs** of power in the event of a power outage

(**May vary depending on active voice calling and number of connected devices)

OPEN PROTOCOL COMPATIBILITY

- Compatible with any brand of analogue phone using the P100 protocol

MONITORING FLEXIBILITY

- Monitoring and in-life configuration via the cloud-based Avire Hub management platform
- The DCP Evo has connectivity options for many third party devices, increasing flexibility in receiving and sending data for remote monitoring on the elevator

AVIRE HUB Lift Monitoring Software - Avire | uk
(avire-global.com)

STANDARDS COMPLIANT INTEGRATED ECOSYSTEM

- EN81-20 compliant MEMCO DCP Evo as the core of the Avire Emergency Communication System
- Facilitated via the CAN Bus and LPBus connections