



# COP Plate 450 210

## Installation Guide

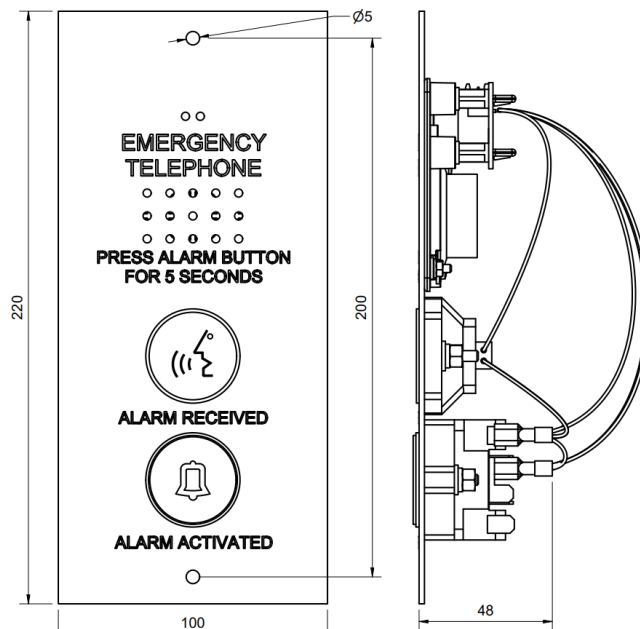
Ref No. 453 863 (GB) Version 2



### Introduction

Memcom COP accessories can speed up the installation of the Memcom system, and reduce any required alterations to the COP.

450 210 is a stainless steel COP plate, with an integrated speaker and microphone, call placed and call acknowledged pictograms and an integrated alarm push. Using this plate would remove the need to cut out holes for a grille and/or pictograms and an alarm push button. It will remove the need to plan where a speaker or microphone is positioned in relation to the grille.

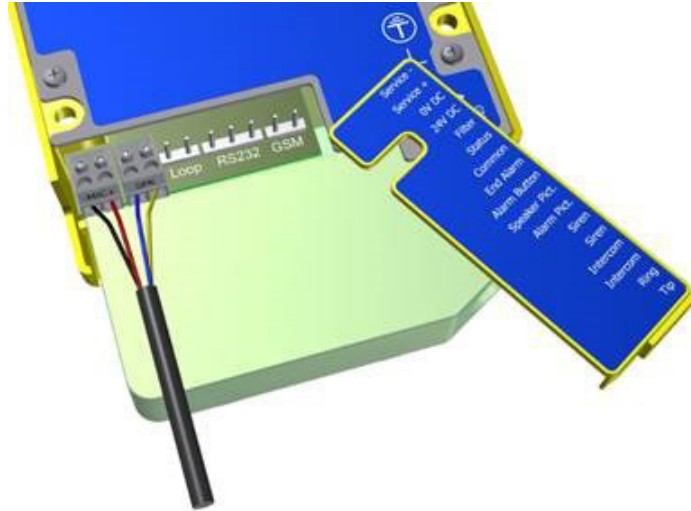


## Connections to the Accessory

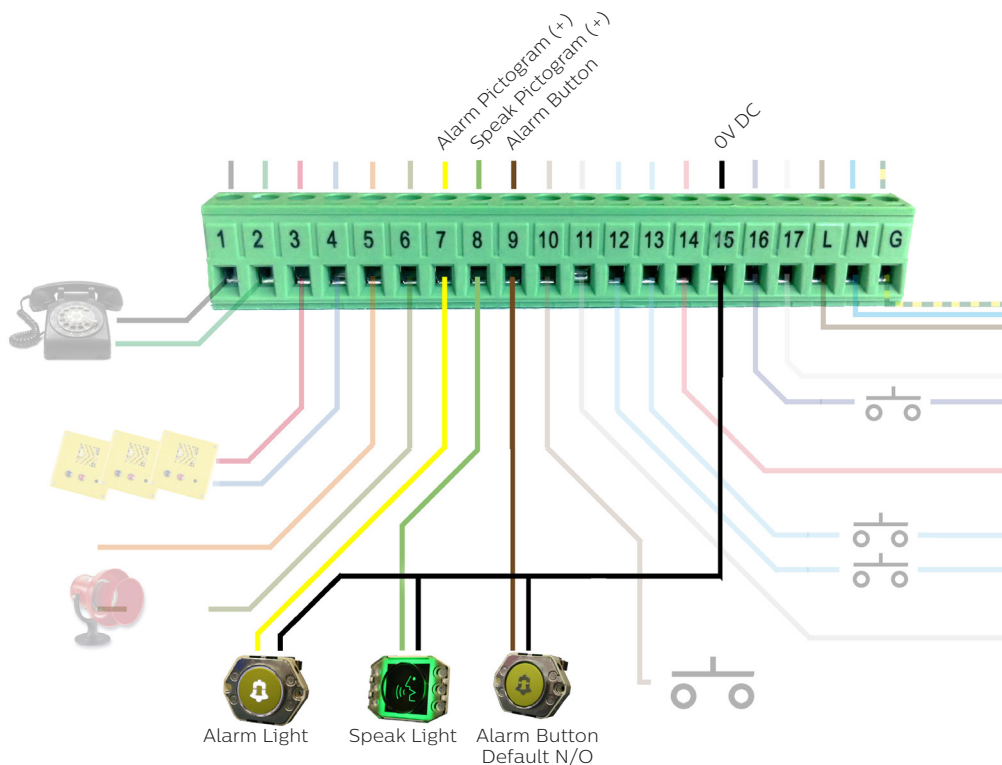
The cabling that comes with this accessory includes a pre-connected terminal block that is already wired into the COP Accessory.

## Connections to the Memcom Unit

The following connections are required to the Memcom unit. The speaker and microphone connections are connected beneath the lid of the product as below...



The following connections are required to the 20 way terminal block at the top of the Memcom unit...



These are labelled on each of the wires connected to the accessory.

# AVIRE

Memco is a brand of Avire

### Avire Ltd

Unit 1, The Switchback  
Gardner Road  
Maidenhead  
Berkshire SL6 7RJ, UK

T: 01628 540 100  
F: 01628 621 947  
E: sales.uk@avire-global.com  
W: www.memco-global.com  
W: www.avire-global.com