

COP Plate 450 200

Installation Guide

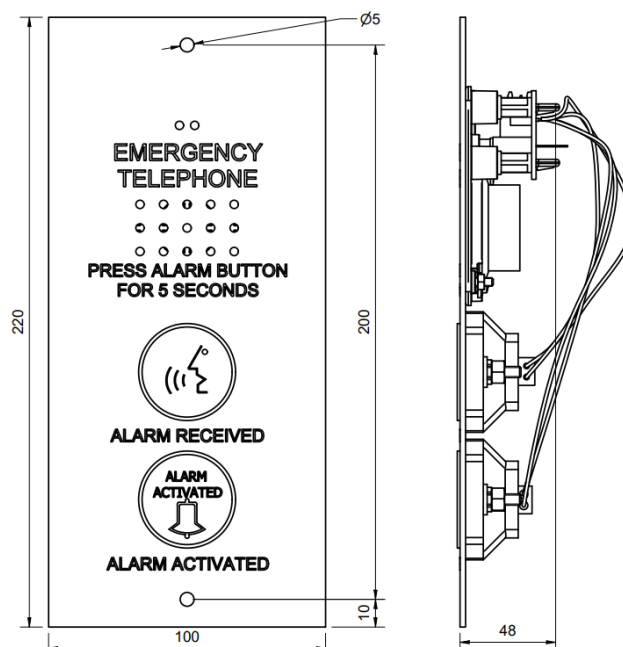
Ref No. 453 862 (GB) Version 2



Introduction

Memcom COP accessories can speed up the installation of the Memcom system, and reduce any required alterations to the COP.

450 200 is a stainless steel COP plate, with an integrated speaker and microphone and call placed and acknowledged pictograms. Using this plate would remove the need to cut out holes for a grill and/or pictograms. It will remove the need to plan where a speaker or microphone is positioned in relation to the grill.



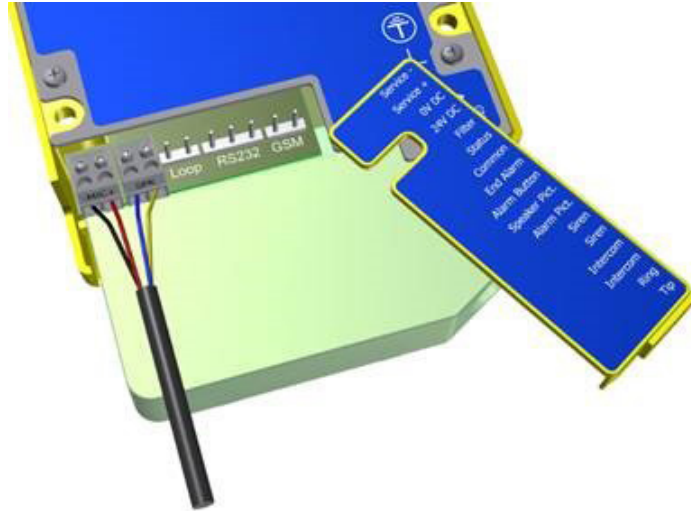
Connections to the Accessory

The cabling that comes with this accessory includes a pre-connected terminal block that is already wired into the COP Accessory

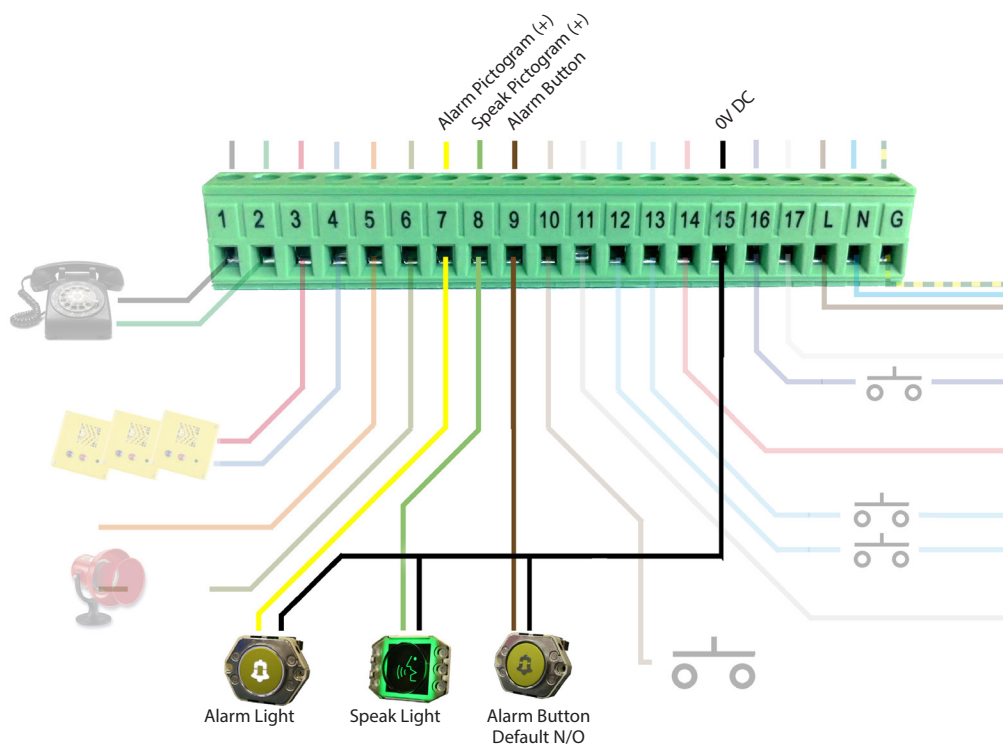
An alarm push button can be wired to the blue and white wires that come of this accessory.

Connections to the Memcom Unit

The following connections are required to the Memcom unit. The speaker and microphone connections are connected beneath the lid of the product as below...



The following connections are required to the 20 way terminal block at the top of the Memcom unit...



These are labelled on each of the wires connected to the accessory.

AVIRE

Memco is a brand of Avire

Avire Ltd

Unit 1, The Switchback
Gardner Road
Maidenhead
Berkshire SL6 7RJ, UK

T: 01628 540 100

F: 01628 621 947

E: sales.uk@avire-global.com

W: www.memco-global.com

W: www.avire-global.com