

# MEMCO® Panachrome+ Elevator Light Curtain



## Product Datasheet



Panachrome+ is the only light curtain available in the market with intelligent functionality. You can also remotely view and update the controller firmware through the HUB, removing the need to visit site when troubleshooting.

### KEY FEATURES

- Complies with EN81-20 and EN81-70 legislation
- Over the air updates using AVIRE HUB allow for improved remote support
- CAN Bus connection for connectivity
- Coloured red/green indicators highlight door movement
- 2D and 3D detector models available
- Dense infra-red 234 beam light curtain
- Suitable for centre-opening and side-opening doors
- Display and keypad on controller for easy programming
- 10mm & 43mm profiles available



Panachrome+ is an intelligent, unique and premium light curtain that offers advanced door and passenger protection by showing door movement with red and green coloured LEDs. This premium light curtain is available with 3D detection and our latest version can be monitored and updated remotely using our cloud platform the AVIRE HUB.

Panachrome+ uses MKCANBus to connect to our cloud-based HUB and send data such as the number of door cycles completed, number of timed-out diodes and the location of blocked diodes on the light curtain.

This unique light curtain is an effective solution to reduce the amount of site visits needed with access to remote diagnostics and the LEDs for sites where passenger traffic is high or where additional safety measures are required. This product has been proven to reduce door damage and passenger accidents.

For these reasons, typical applications include: hospitals, hotels, airports and prestigious public access buildings.

The new Panachrome+ controller has an in-built display and keypad allowing for quicker customisation and fault-finding during installation.

# Detector Profiles

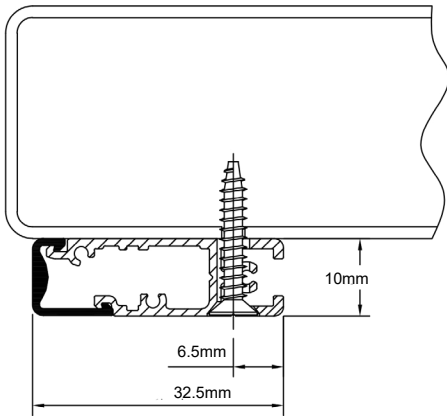


Fig. 1 10mm Profile fixed with countersunk self-tapping screw

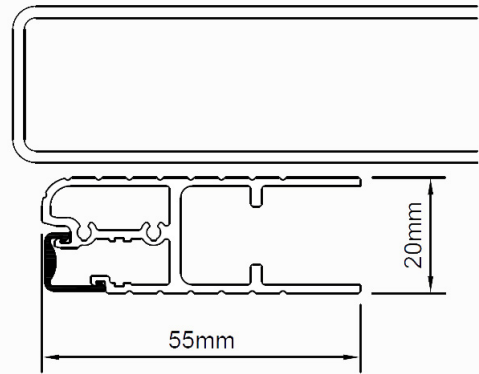


Fig. 3 2/3in1 20mm Profile

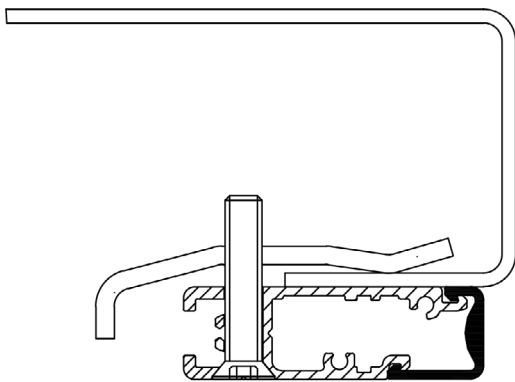


Fig. 2 10mm Profile mounted using a fixing clamp plate

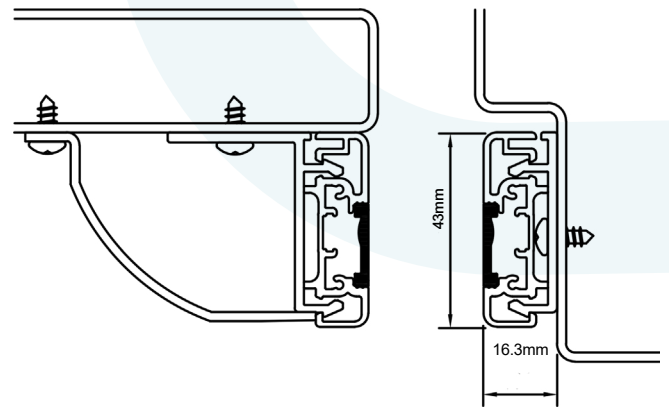


Fig. 4 43mm Profile mounted for side-opening using an 'L' bracket with a finger guard and slampost bracket

## 3D Detection

The 3D detection extends out to approximately half the door separation (Fig 5). As the doors close the 3D detection zone moves inwards. The system can be configured for different operating modes to suit particular installation needs. The Panachrome+ 3D detectors suit a wide variety of doors including both centre-opening and side-opening. The Panachrome+ controller (G3852 000) is available for 15 to 48VDC and a universal AC supply of 85 to 24VDC.

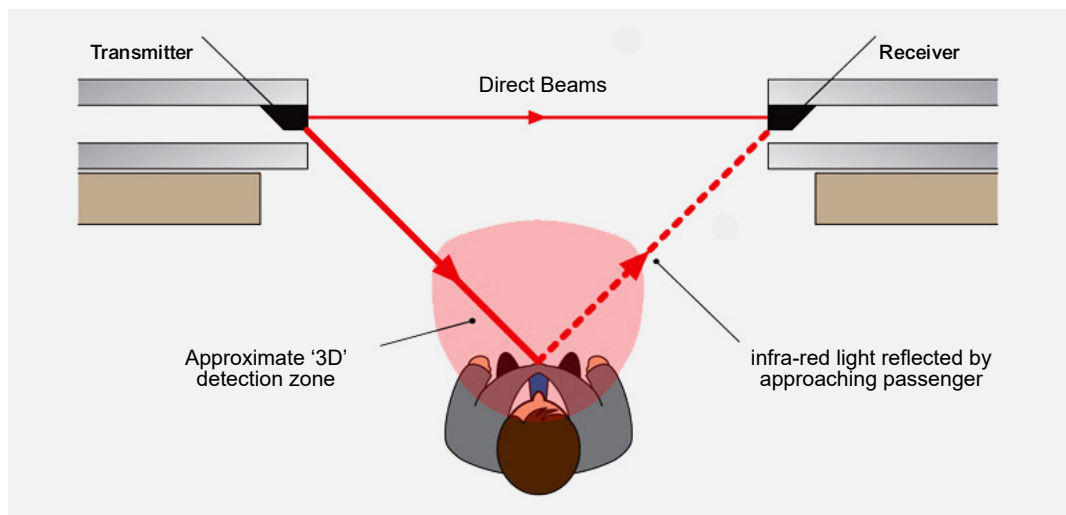


Fig.5 The operating principle of the Panachrome+ 3D showing the sensitive zone projected into the landing

With manufacturing locations in 4 countries and sales offices in 14 locations, we manufacture the world's most trusted solutions that have already been installed in over 200,000 lifts across Europe to ensure passenger safety and compliance. We also offer local Support Services to ensure our customers receive the help they require.

## Technical Specification

| Product Code                     | G3540 (3D)   | G3510 (3D)           | G2540 (2D)           | G2510 (2D)           |
|----------------------------------|--|----------------------|----------------------|----------------------|
| Detector Dimensions              | 43mm x 16mm x 2005mm                                 | 10mm x 33mm x 2000mm | 43mm x 16mm x 2005mm | 10mm x 33mm x 2000mm |
| G3852 Controller Dimensions      | 239mm x 172mm x 51mm                                 |                      |                      |                      |
| Number of Diodes                 | 48   |                      |                      |                      |
| Number of Beams                  | 234  |                      |                      |                      |
| Ext. Cables 015 455 Length       | 4m   |                      |                      |                      |
| <b>Detector Specifications</b>   |  |                      |                      |                      |
| Monitoring height minimum        | 20mm   |                      |                      |                      |
| Monitoring height maximum        | 1800mm   |                      |                      |                      |
| Range - 2D                       | 6m   |                      |                      |                      |
| Range - 3D                       | Typically, half door separation (0.3m-1.2m)          |                      | N/A                  | N/A                  |
| Maximum voltage in Detector      | 12VDC  |                      |                      |                      |
| Maximum power consumption        | 6W   |                      |                      |                      |
| Operating temperature range      | -10°C to +65°C                                       |                      |                      |                      |
| EMC Compliance                   | Emissions to EN 12015:2014; Immunity to EN12016:2013 |                      |                      |                      |
| Ingress Rating                   | IP65   |                      |                      |                      |
| Light Immunity Rating            | >100,000lux  |                      |                      |                      |
| <b>Controller Specifications</b> |  |                      |                      |                      |
| Voltage requirements             | Universal AC supply 85 to 240VAC or 15 to 28VDC*     |                      |                      |                      |
| Power consumption                | 30W maximum with detectors fitted and indicators ON  |                      |                      |                      |
| Door operator relay:             | 250V AC, 24V DC at 5A                                |                      |                      |                      |
| Trigger Duration                 | 350mS typical 2D, 1 second typical 3D                |                      |                      |                      |
| Timeout                          | Switched ON/OFF 10-70 seconds adjustable             |                      |                      |                      |

\*Controller supports DC input up to an absolute maximum of 48VDC, however, to maintain CSA certification requirements, do not exceed 28V

## Ordering Information

| Part No.     | Product Description  | Profile |
|--------------|--|---------|
| G3540 000    | Set of 3D TX, RX Detectors and Fixing Kit                    | 43mm    |
| G3510 000    | Set of 3D TX, RX Detectors and Fixing Kit                    | 10mm    |
| G2540 000    | Set of 2D TX, RX Detectors and Fixing Kit                    | 43mm    |
| G2510 000    | Set of 2D TX, RX Detectors and Fixing Kit                    | 10mm    |
| G2510 803    | Clamp kit to fit one detector                                | -       |
| G3851 000-NA | Panachrome+ Controller                                       | -       |
| 015 455      | 4m extension cable (includes two cables, one cable per edge) | -       |

*This product is designed for use in elevators with powered automatic doors where the closing energy is less than 10J in normal operation and less than 4J during de-activation of the light curtains or less as per EN81 requirements. It should be installed by qualified personnel only, therefore any use outside of this application is at the installer's own risk and should be assessed appropriately.*

*As a result of our policy of continual improvement, the information in this document is subject to change without notice and it is intended only as general guidance on product performance and suitability. This information shall not form part of any contract.*