



# AVIRE

# AAU

Analogue Lift Emergency Telephone  
AC-PNB10-120-A-0L-A00

## Quick Start Guide v2.0



# AVIRE

## In the box:

- + AAU Emergency Phone
- + Connectors Kit
- + Pictogram Cable
- + Adaptor Bracket Fixing Kit
- + Installation Guide

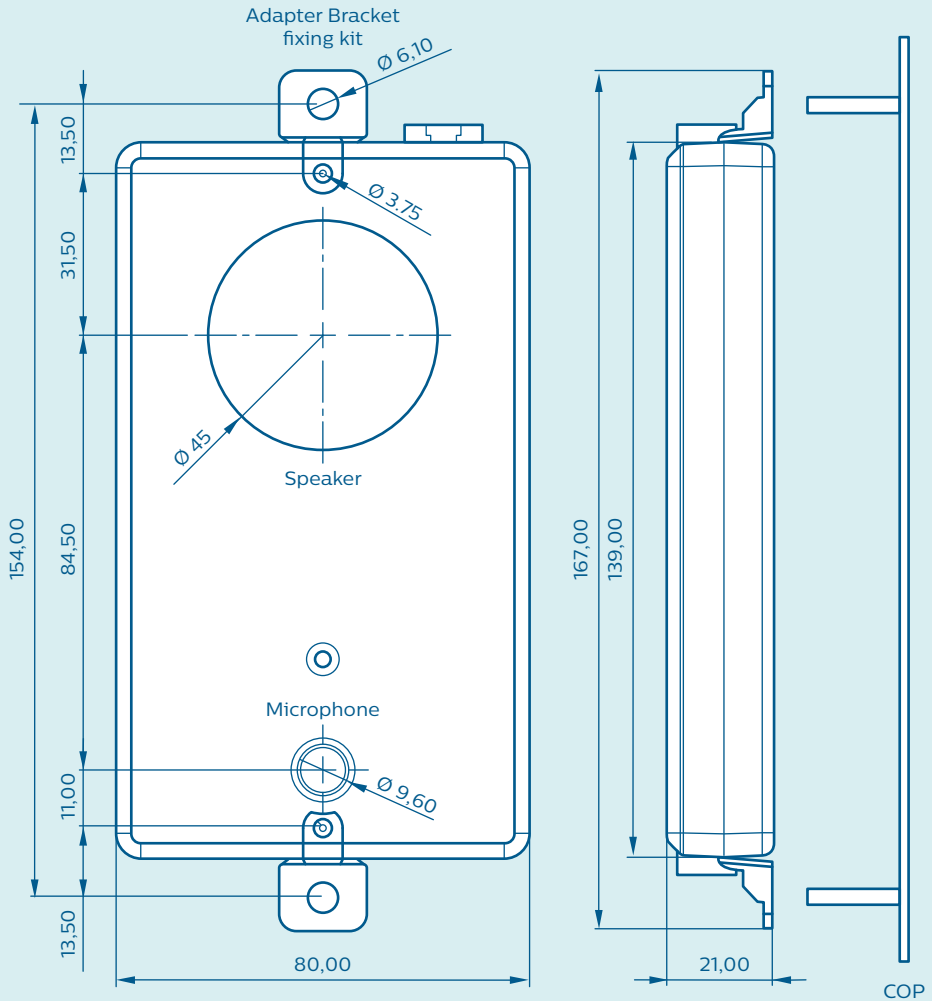
## Mechanical Installation

1. Select between normal size install and adaptor clips shown on the next page.
2. Using M3 stud fixings already available on COP panel, position device for installation. **Note:** allow for 20mm clearance on all sides for cable routing.
3. Secure device onto COP stud fixings using fastening M3 locking nut onto mounting studs.
4. Move to the next stage: Wiring and connections

### Installation best practice

- + When routing all cables to the AAU, high voltage cables and equipment should be avoided; taking special care with the phone line, as this is the most sensitive to electrical noise.
- + The AAU should be positioned as far from noisy electric equipment as reasonably possible. The recommended separation from any GSM devices or antennas is 1.5m.

## Technical dimensions



**Note:** All dimensions in mm

# Wiring and connections

## Power supply

The AAU power supply must be connected before powering the device on.

The AAU supports both:

- + 10-30 Volts DC
- + 9-20 Volts AC

## Direct functions



Reset (Power cycle)



Place alarm call



Read out alarm numbers



Send Status Report

## Status



Alarm activated



2-Way Communication active



(flashing) Test error



(flashing) Powering On

## Avire DCP Set up for AAU

Follow the below steps to configure the Avire DCP for best performance when connected to the AAU:

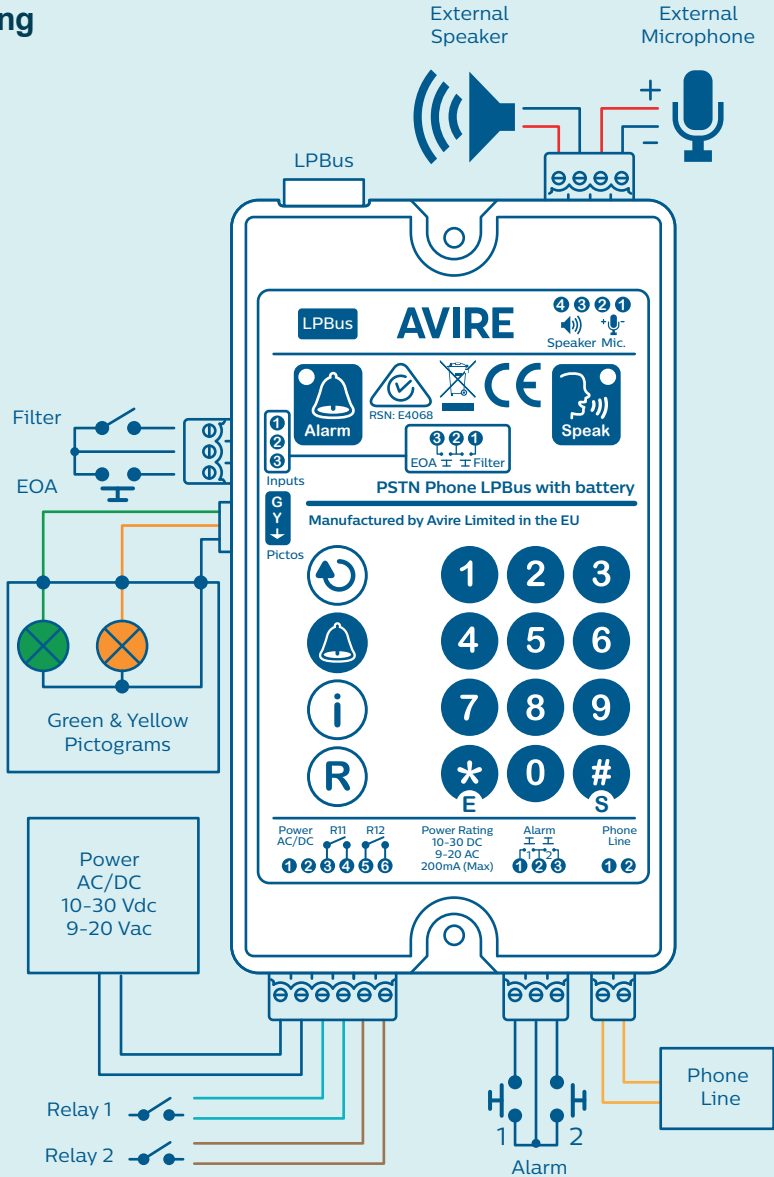
- + Update the DCP to latest firmware version by sending the following SMS to the device:

**Pin1234,P0805,P0876369,p0500,firm.avire-global.com/assets/firm/mk775/mk07758x\_last.bin**

- + Alternatively scan the QR code to the right and send to the device phone number:



# Wiring



# Quick programming

## Classic installation

1. Changing the default programming PIN:

Press: **# OLD PIN # 3 NEW PIN \***

(Default PIN is 123 - NEW PIN must be 3 digits)

2. Programming a Single Alarm Number:

Press: **# P I N 9 # 0 ALARM NUMBER \***

→ Sequence accepted (ALARM NUMBER = Max of 16 digits)

Phone Group 1	
Number 1	#PIN#0ALARM*
Number 2	#PIN#1ALARM*
Number 3	#PIN#2ALARM*

Phone Group 2	
Number 1	#PIN2#0ALARM*
Number 2	#PIN2#1ALARM*
Number 3	#PIN2#2ALARM*

To verify the alarm numbers programmed, press:

Or alternatively press: **\* 0**

→ 0 = 1st number, 1 = 2nd number, 2 = 3rd number



3. Recording the guidance & location Message (optional)

Press: **# P I N # 9 SPEAK MESSAGE 0**

+ To play back recorded message: **\* 9**

+ To restore Factory Default Message: **# 5 5 \***

### Test alarm call

To test the alarm call function, simply press the alarm button, and the device will simulate an alarm call:



Wait for the responder to answer and confirm the audio quality is acceptable. The recipient will need to press "0" to acknowledge the call has been received, then hang up. If the call is not placed, revisit the AAU Alarm number programming to ensure it is correct.

## P100 Monitoring

1. To configure P100 Identifier:

Press: **# P I N 6 3 # 8 DIGIT P100 ID \***

→ Each device P100 ID must be unique

To verify Identifier value: Press: **# P I N 6 3 \***

2. Programming phone number for technical P100 calls:

Press: **# P I N 3 5 # P100 MONITORING NO \***

→ Sequence accepted (Default value & Avire Hub value: 0281034462)  
(P100 MONITORING NO = Max of 16 digits)

To verify technical phone number: Press: **# P I N 3 5 \***

## Test P100 Monitoring

To test the P100 Monitoring, simply turn off or disconnect the power supply to the device. Within 20 minutes, the device will place a technical call to the monitoring service. The monitoring service need to verify this notification therefore proving the functionality is working. Restore the power supply to the device to complete the testing process.

## Programming: Multi-Car Line Sharing

To connect up to 8 AAUs on a single line, each AAU must be assigned a unique Cabin Number (**A**) from 1-8 along Master/Slave Status (**B**). One of the AAUs on the line must be set as a Master (1) and the remaining must be set as Slaves (0).

Press: **# P I N 3 # A B \***

To disable this feature, program the Cabin Number to 0 and Master/Slave Status to 0. In this configuration the call will be automatically hooked with the cabin. To hear an audible playback of the cabin number Settings, enter the following sequence: **# 3 3 \***

## Programming: Audio Level Performance

The device is equipped with pre-calibrated audio levels for an optimal cabin setup.

After completing the installation and placing a call, the user should check the audio performance. Please refer to the full programming guide via the QR code should you need any further information for troubleshooting the audio quality.

Scan QR code to see full programming guide:

Alternatively visit the following webpage:

<https://www.avire-global.com/en-au/product/emergency-telephones/analogue-lift-emergency-telephone-aau/>



# Maintenance and disposal

## SAFETY

Please read these safety instructions before starting the device.

- + Do not expose this device to liquids or excessive humidity. The AAU is an indoor device and is not waterproof
- + Do not expose the device to fire
- + Do not try to modify the device
- + Do not use the device in potentially hazardous areas or where there is risk of explosion

## INSTALLATION CONDITIONS

This device is designed to be used indoors (0°C to 45°C with relative humidity between 20% to 80% not condensing). Sudden changes of temperature and humidity should be avoided.

## CLEANING AND MAINTENANCE

Use a soft dry cloth. Do not use solvent or abrasive products.

## BATTERY

The AAU has a NiMH 3.6 V/650 mAh battery that allows it to keep functioning in the event of a mains power failure. This battery should be replaced every 2 years. Replacing the battery involves removing the lid of the device, disconnecting the existing battery and replacing it with the new battery (the part number is on the battery label). Please read the following battery warnings:

- + There is a risk of explosion if battery is replaced by an incorrect type.

- + Disposal of a battery into fire or hot oven or crushing or cutting of battery can result in an explosion.
- + Leaving battery in an extremely high temperature surrounding environment can result in an explosion.
- + A battery subjected to extremely low air pressure may result in an explosion.
- + This battery should be properly recycled and not disposed of with unsorted household waste.

## DISPOSAL

The device complies with regulations 2002/95/CE and 2003/108/CE regarding the use and disposal of hazardous substances in electric appliances.

Do not dispose of this device with unsorted household waste. Disposing of the device in an unauthorised way could result in a fine in line with local regulations.

## ENVIRONMENTAL REGULATIONS

RoHS - Avire certifies that its production process complies with the 2011/65/EU European Directive of 3 January 2013 regarding the restriction of use of hazardous substances in electric and electronic appliances.