

Surface Mount COP Accessory 450 270

Installation Guide

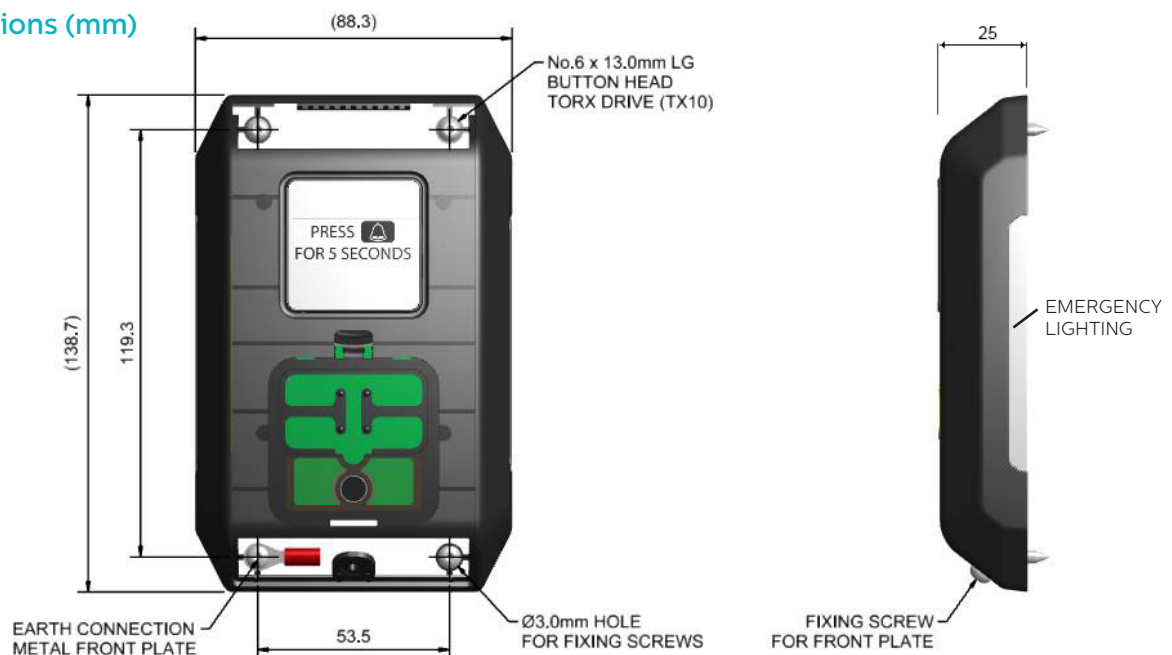
Ref No. 450 876 (GB) Version 3



Memcom COP accessories can speed up the installation of the Memcom system, and reduce any required alterations to the COP.

450 270 is a quick and easy to install surface mount COP accessory, with integrated speaker, microphone, 'call placed' and 'call acknowledged' pictograms. This accessory means the only cutting of the COP required is to allow the cable to be fed behind the COP.

Dimensions (mm)

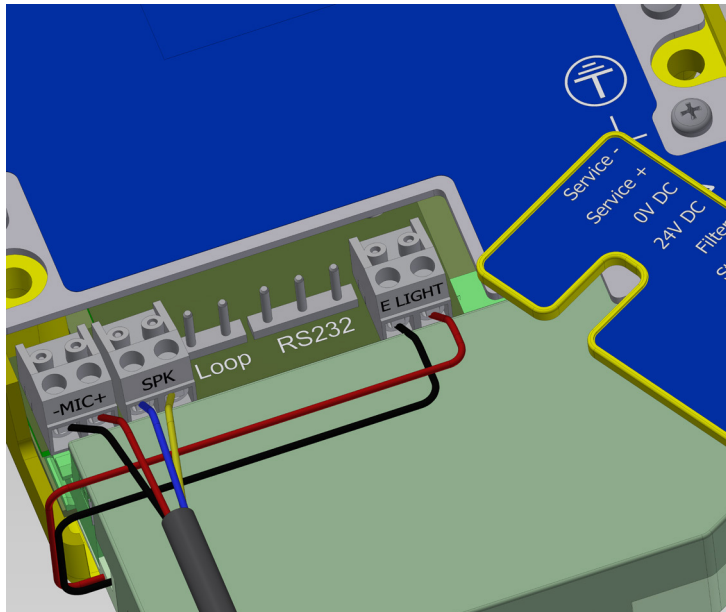


Connections to the Accessory

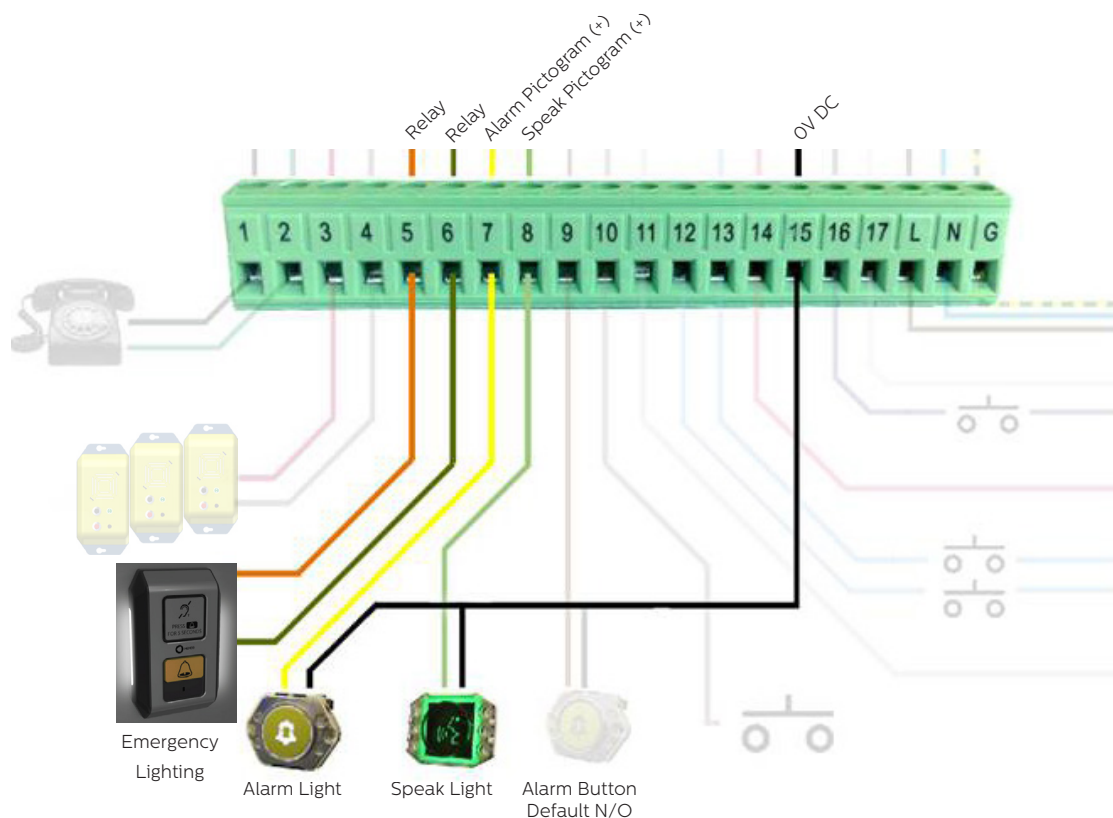
The cabling that comes with this accessory includes a pre-connected terminal block that is already wired into the COP Accessory.

Connections to the Memcom Unit

The following connections are required to the Memcom unit. The microphone, speaker and inductive loop (combined) and emergency lighting power connections are connected as below.



The following connections are required to the 20-way terminal block at the top of the Memcom unit.

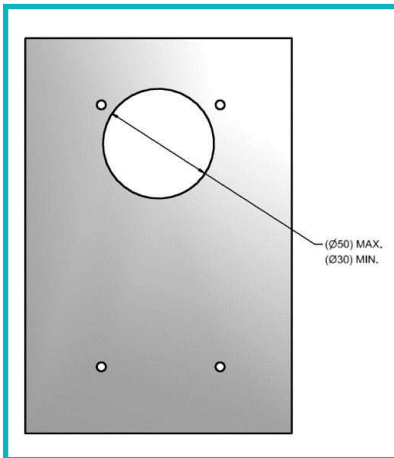


These connections are labelled on each of the wires connected to the accessory. Please note that when using the relay to switch on the emergency lighting for this accessory, you are not able to use the relay to switch on a siren when the alarm button is pushed. Both a COP accessory and siren can be wired into terminals 5 and 6 simultaneously, but the criteria to switch the relay has to be the same i.e. loss of power OR alarm button pressed.

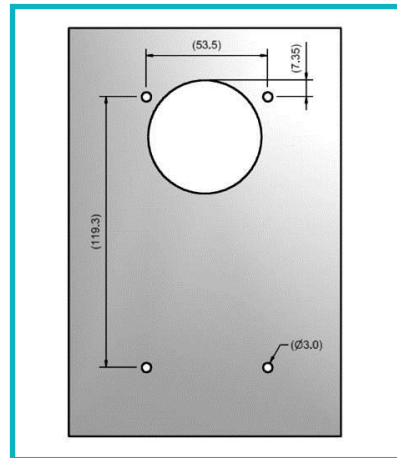
Fixing the unit to the COP

Follow the simple steps below to install the surface mounted COP accessory on the COP.

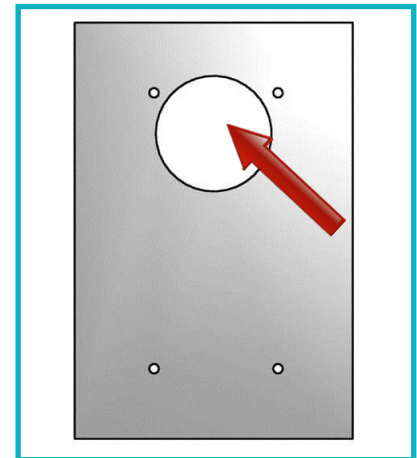
1. Cut holes in COP for accessory cables



2. Drill fixing holes



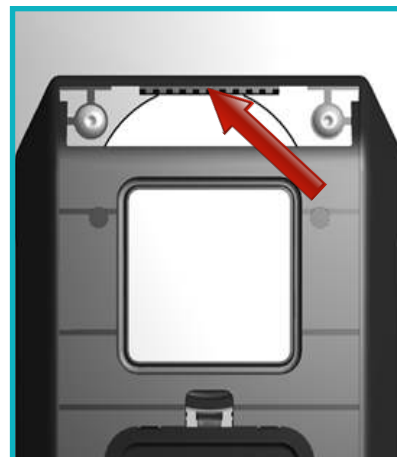
3. Feed the cable through the hole



4. Fix unit in place with four screws provided



5. Insert tongue of SS plate in the groove at the top of the plastic housing



6. Secure SS plate using security screw provided



Memcom programming required

To use the full features of this accessory, the following programming is required in the Memcom unit.

1. In 'Settings > Accessories' select 'COP Accessory'

If using the old programming menu, in #26 Hardware options, add the value 512 to the total of the other options that need to be enabled. Confirm by pressing #.

2. In 'Advanced > Relay Mode' select 'Emg. Lighting'

If using the old programming menu, in #40 enter the value 8 and confirm by pressing #.

AVIRE

Memco is a brand of Avire

Avire Ltd

Unit 1, The Switchback
Gardner Road
Maidenhead
Berkshire SL6 7RJ, UK

T: 01628 540 100
F: 01628 621 947
E: sales.uk@avire-global.com
W: www.memco-global.com
W: www.avire-global.com

