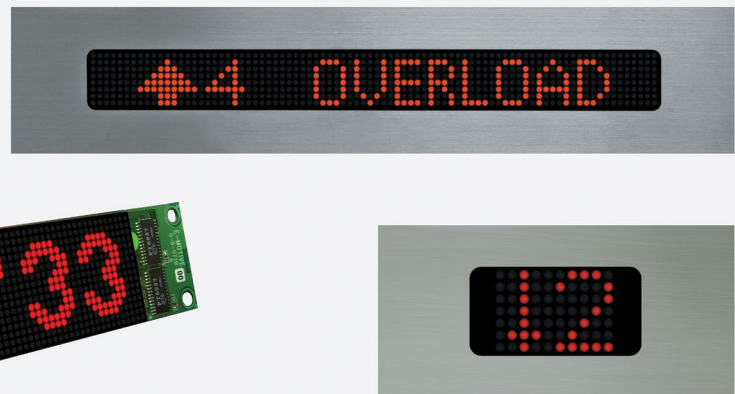


E-Motive Dot Matrix

Product Datasheet



E-Motive offers a wide range of dot matrix display formats for both horizontal and vertical mounting. These products display arrows, floor position and programmed messages and are available in both standard and slim profiles.

The E-Motive dot matrix displays are often used for surface-mount installations, making them an ideal solution for modernisation applications. Standard diameter dot sizes are 1.8mm, 3mm and 5mm and the dots are red in colour.

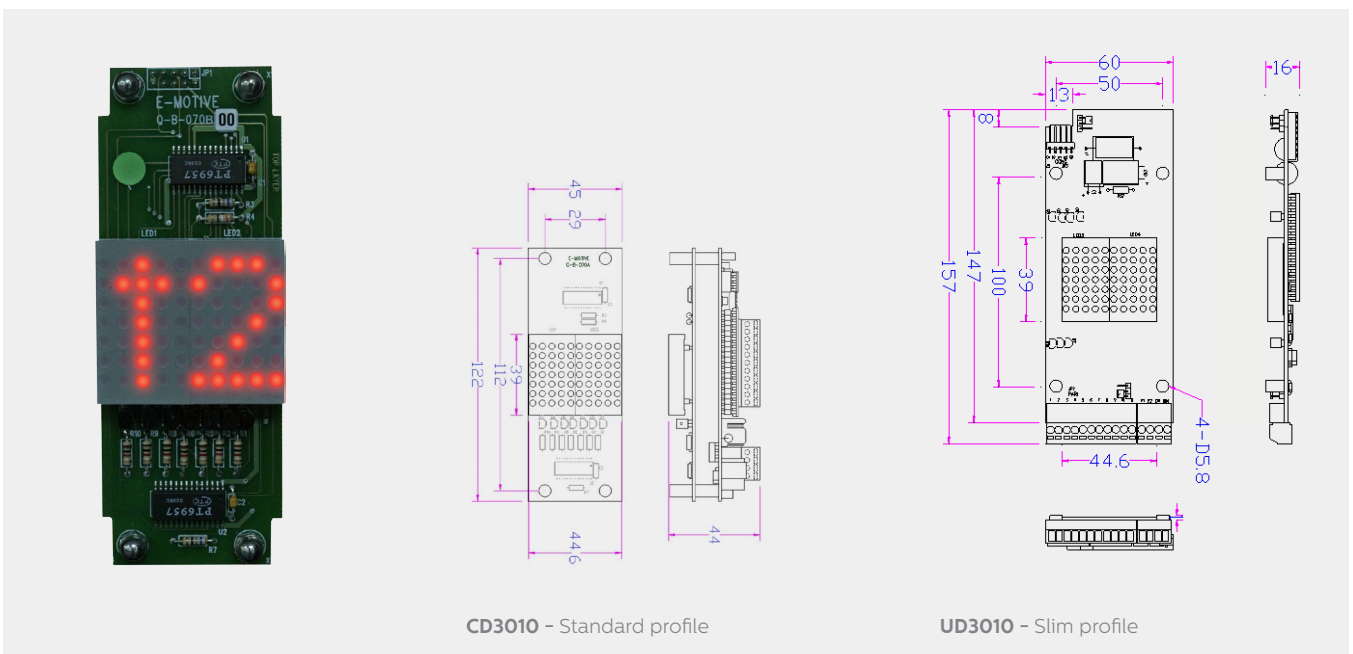
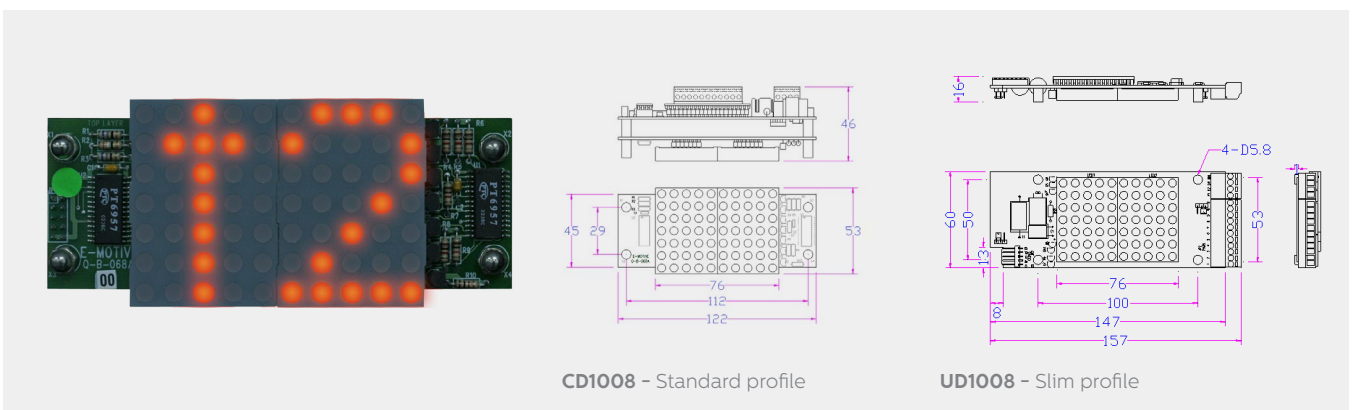
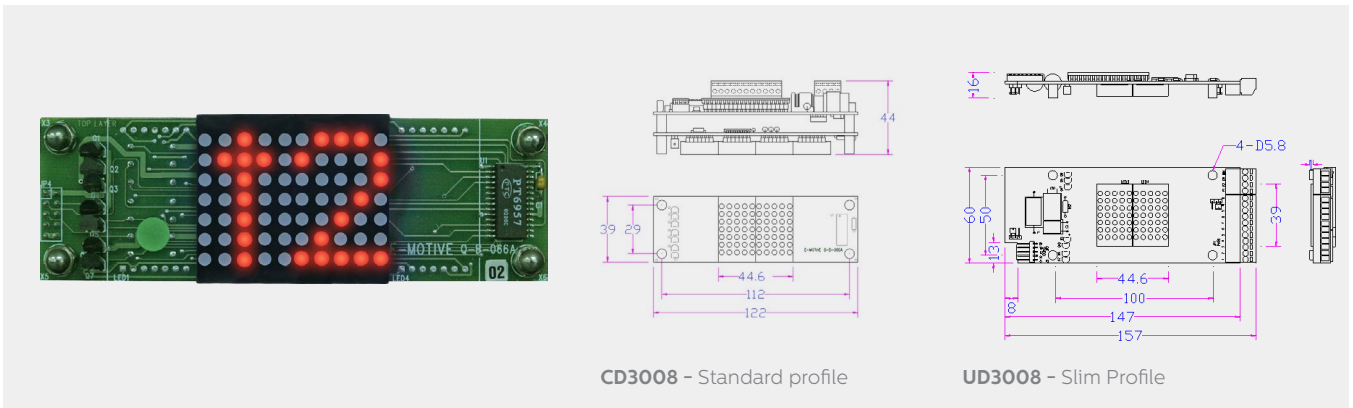
The long format dot matrix display is an LED digital signage system designed for semi-outdoor applications such as sports stadiums and train stations. With its large size (up to 1500mm) and high brightness, this product is clearly visible from afar, making it ideal for high-profile installations. Along with the ability to show static or scrolling text messages, the long format dot matrix display is also able to interface to hall lanterns and gongs, indicating the direction of travel of an elevator.

Key Features

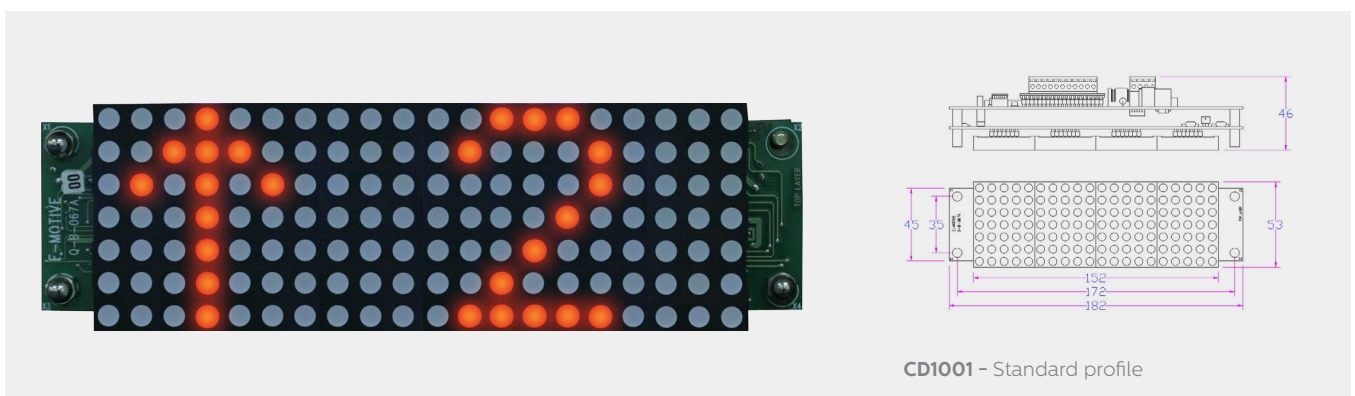
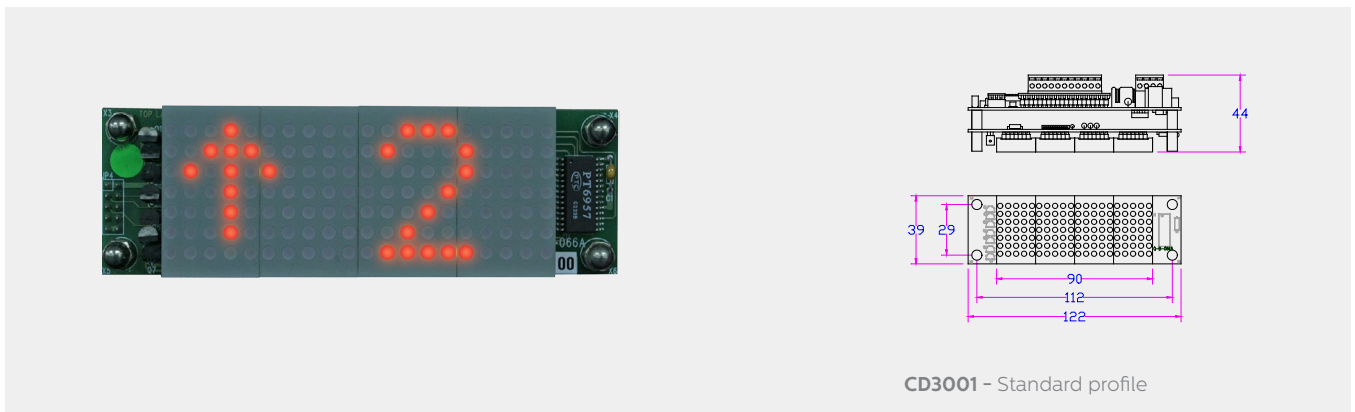
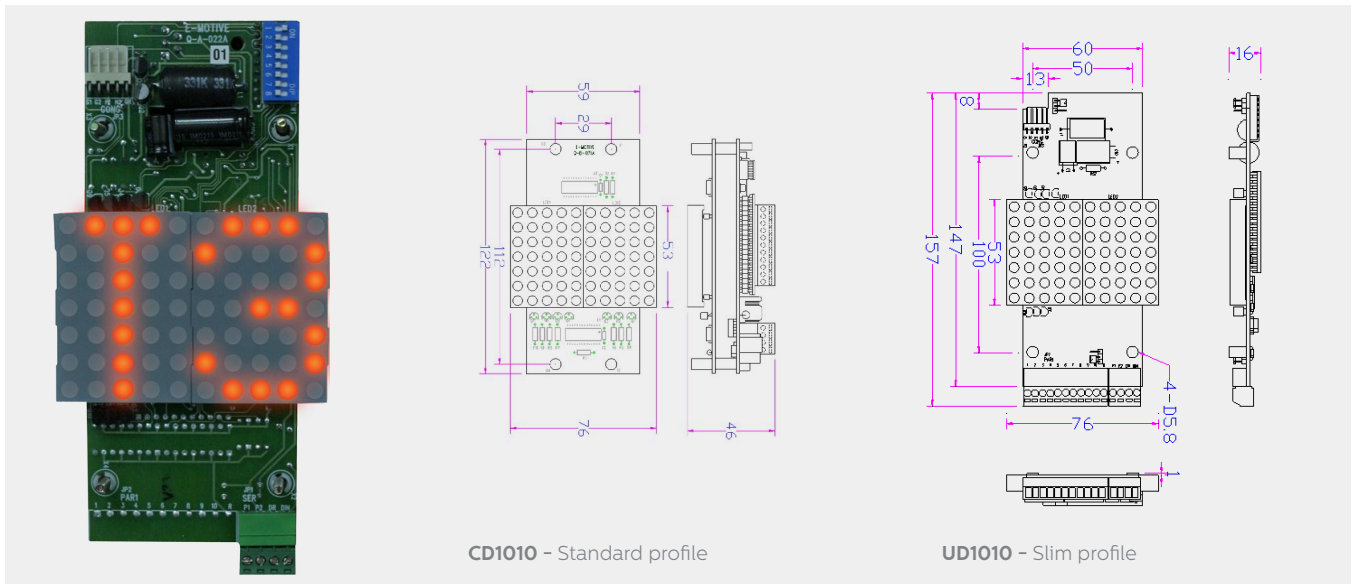
- + Wide range of dot matrix display formats for both horizontal and vertical mounting
- + Available in both standard and slim profiles
- + Interface with elevator controllers serially and via discrete inputs



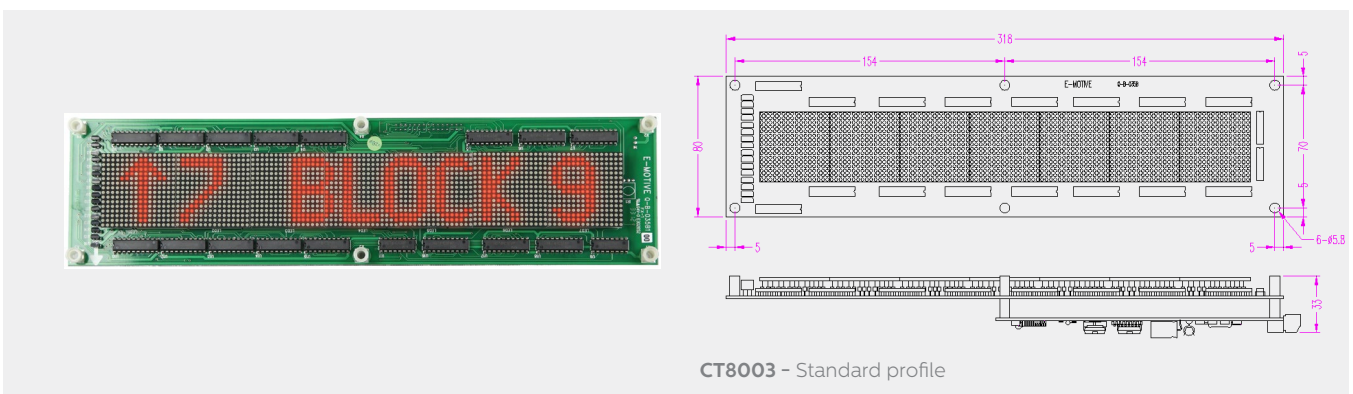
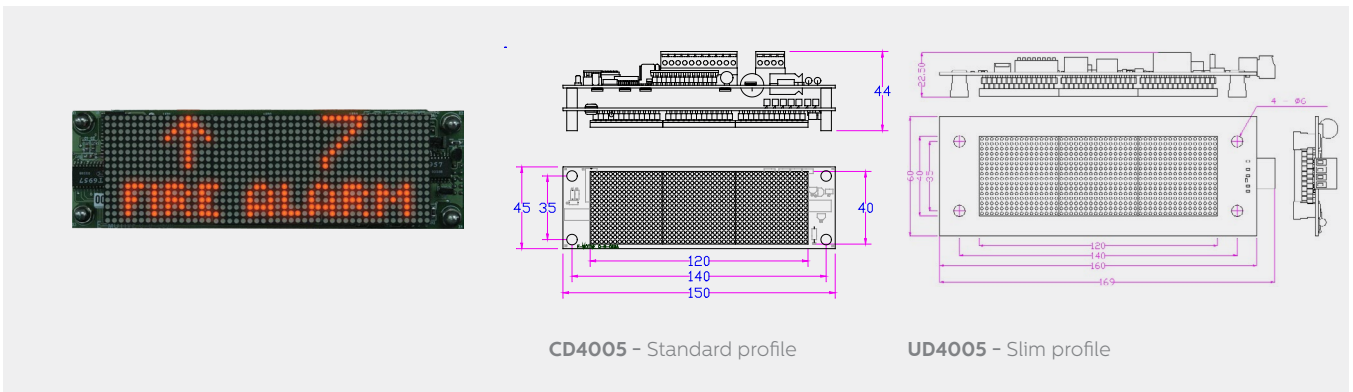
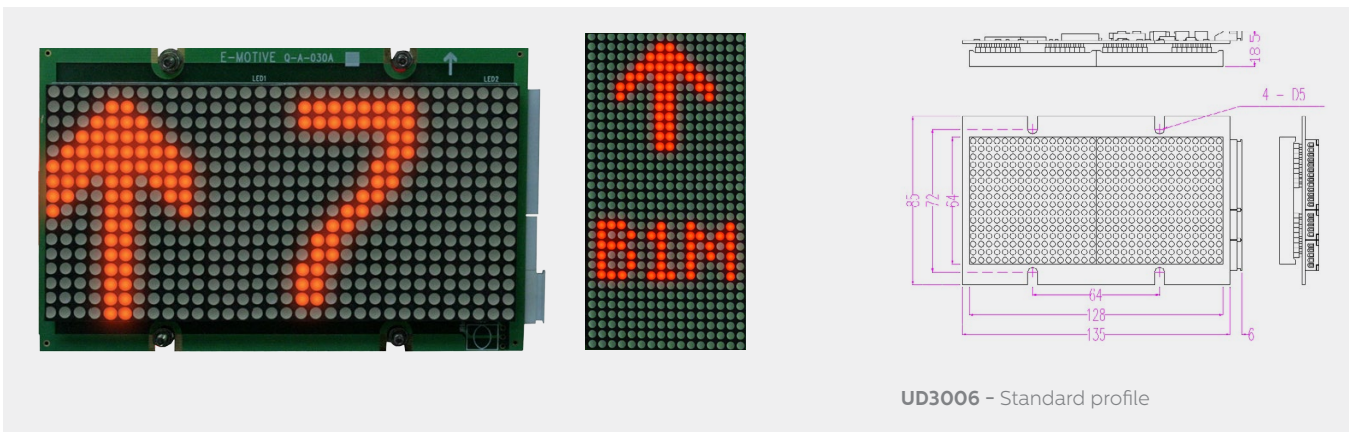
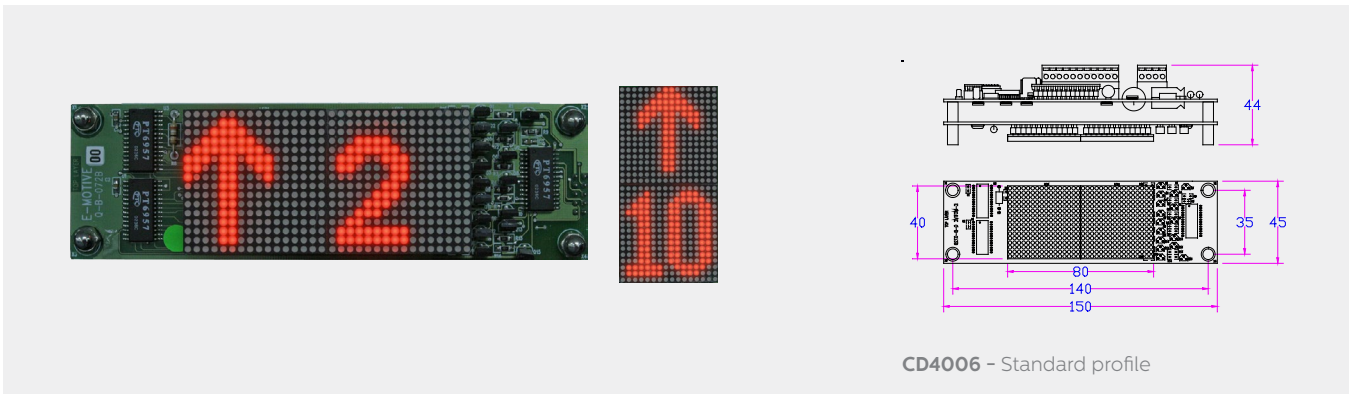
Display Format and Dimensions



Display Format and Dimensions



Display Format and Dimensions



Technical Specification

Display Format	3008	1008	3010	1010	3001	1001
Dot Size	3mm	5mm	3mm	5mm	3mm	5mm
Resolution (XxY)	5x10	5x10	5x10	5x10	5x20	5x20
Supply Voltage (VDC)	24	24	24	24	24	24
Typical Current Consumption (A)	0.068	0.064	0.068	0.064	0.087	0.087
Signal Interface	E-Motive 4-Wire Serial, 10 Discrete Inputs					
I/O Interface	Hall Lantern/Gong					

Display Format	4006	3006	4005	8003
Dot Size	1.8mm	3mm	1.8mm	1.8mm
Resolution (XxY)	16x32	16x32	16x48	16x112
Supply Voltage (VDC)	24	24	24	24
Typical Current Consumption (A)	0.135	0.2	CD: 0.144 UD: 0.17	0.22
Signal Interface	E-Motive 4-Wire Serial, 10 Discrete Inputs	E-Motive 4-Wire Serial, 12 Discrete Inputs	E-Motive 4-Wire Serial, 10 Discrete Inputs (CD4005 only)	E-Motive 4-Wire Serial
I/O Interface	Hall Lantern/Gong	Hall Lantern/Gong	Hall Lantern/Gong	Hall Lantern/Gong

Ordering Information

Part No.	Product Description	Part No.	Product Description
CD3008KR901	CD3008 Dot Matrix, Red 3mm	CD3001KR901	CD3001 Dot Matrix, Red 3mm
UD3008KR901	UD3008 Dot Matrix, Red 3mm	CD1001KR901	CD1001 Dot Matrix, Red 5mm
CD1008KR901	CD1008 Dot Matrix, Red 5mm	CD4006KR921	CD4006 Dot Matrix, Red 1.8mm
UD1008KR901	UD1008 Dot Matrix, Red 5mm	UD3006CR900	UD3006 Dot Matrix, Red 3mm
CD3010KR901	CD3010 Dot Matrix, Red 3mm	CD4005KR921	CD4005 Dot Matrix, Red 1.8mm
UD3010KR901	UD3010 Dot Matrix, Red 3mm	UD4005SR902	UD4005 Dot Matrix, Red 1.8mm
CD1010KR901	CD1010 Dot Matrix, Red 5mm	CT8003SR901	CT8003 Dot Matrix, Red 1.8mm
UD1010KR901	UD1010 Dot Matrix, Red 5mm		

Accessories Available		Accessories Available	
135-O-1-0015	230/110VAC 24VDC Switching Power Supply Unit	134-P-A-724B	4mm Polycarbonate Lens, UD1010
134-P-A-635D	6mm Polycarbonate Lens, CD3008	134-P-A-634C	6mm Polycarbonate Lens, CD3001
134-P-A-725A	4mm Polycarbonate Lens, UD3008	134-P-A-631D	6mm Polycarbonate Lens, CD1001
134-P-A-633E	6mm Polycarbonate Lens, CD1008	134-P-A-638C	6mm Polycarbonate Lens, CD4006
134-P-A-726A	4mm Polycarbonate Lens, UD1008	134-P-A-905A	3mm Polycarbonate Lens, UD3006
134-P-A-636E	6mm Polycarbonate Lens, CD3010	134-P-A-637C	6mm Polycarbonate Lens, CD4005
134-P-A-723A	4mm Polycarbonate Lens, UD3010	134-P-A-888A	4mm Polycarbonate Lens, UD4005
134-P-A-632D	6mm Polycarbonate Lens, CD1010	134-P-A-213C	6mm Polycarbonate Lens, CT8003

AVIRE

E-Motive is a brand of Avire

Avire Global Pte Ltd

8 Admiralty Street,
#05-02 Admirax,
Singapore 757438

T: +65 6776 4111

F: +65 6774 7555

E: sales.sg@avire-global.com

W: www.emotivedisplay.com

W: www.avire-global.com