




Memco[®] C100 Flush Mount 1, 2 and 3

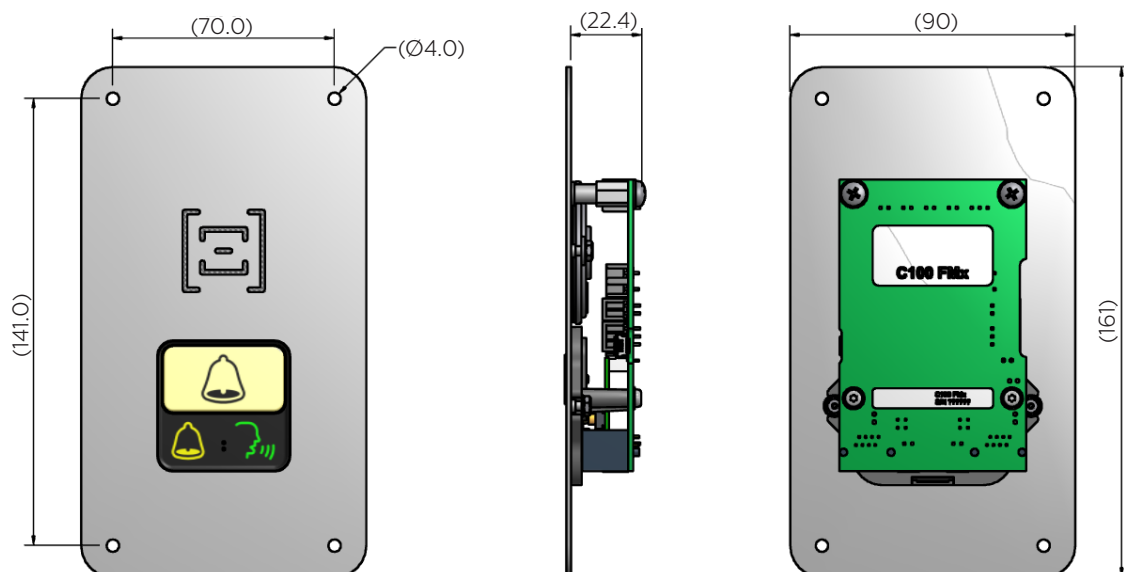
Installation Guide

Ref No. C100 852(ML) Version 5

The Memco C100 is a COP based emergency telephone system. It has been designed to provide quick and easy COP installation and is also the first emergency telephone that can be programmed at the touch of a button, making the programming process quicker and easier than ever.

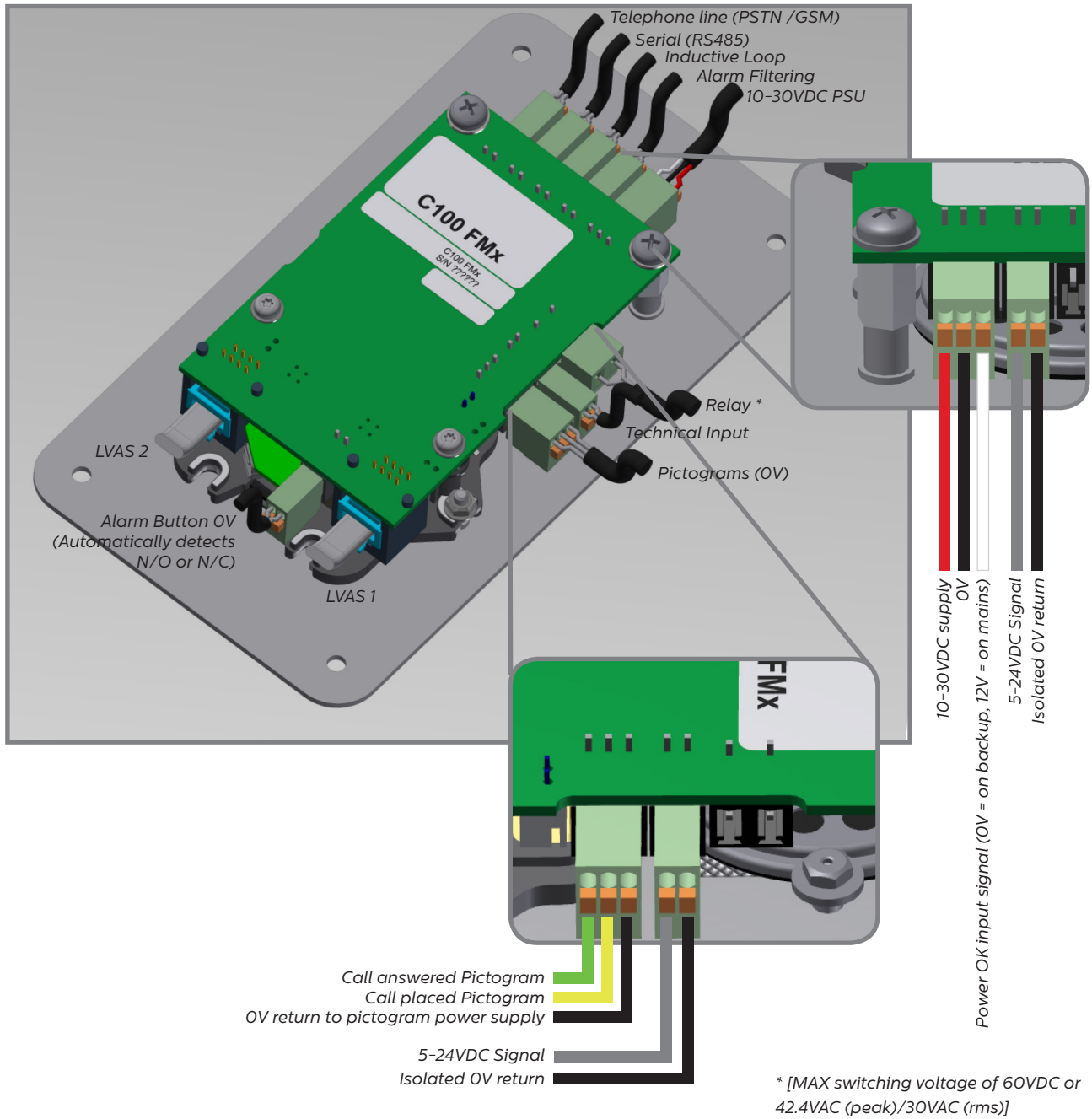
Model No. C100 FM1	Model No. C100 FM2	Model No. C100 FM3
 <p data-bbox="172 1160 513 1272">This variant of the product can be flush-mounted on the COP and has integrated speaker and microphone.</p>	 <p data-bbox="619 1160 944 1272">This variant of the product can be flush-mounted on the COP and has integrated speaker, microphone and pictograms.</p>	 <p data-bbox="1082 1160 1407 1294">This variant of the product can be flush-mounted on the COP and has integrated speaker, microphone, pictograms and alarm push button.</p>

Dimensions (mm)



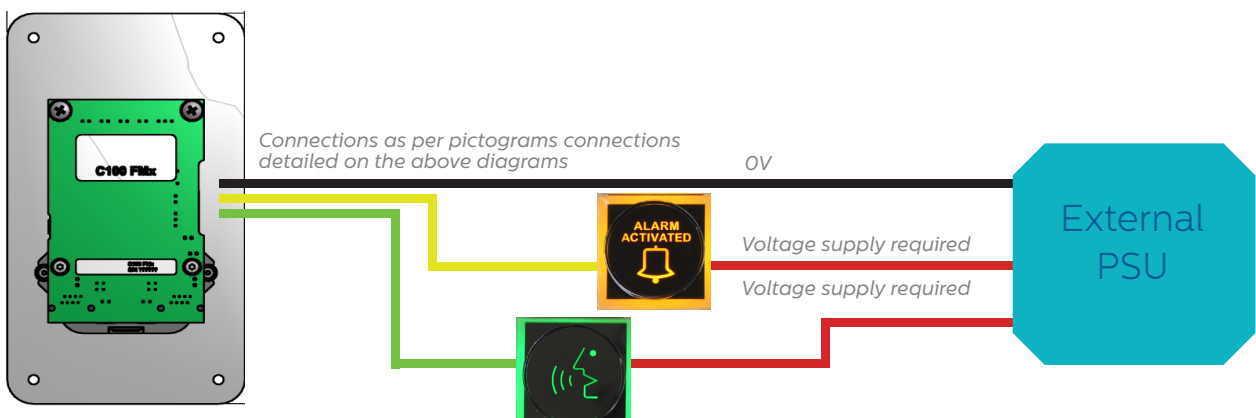
Connections to the Main Unit

Please see details below of all connections available on the C100 Flush Mount 3 unit. All connections that have a specific polarity / require specific connections within the connector are explained in the zoomed in sections.



Connecting External Pictograms

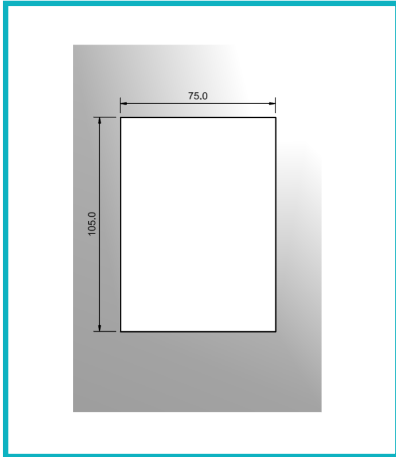
As long as external pictograms are powered by an independent power supply, the C100 can control their operation. These pictograms should be connected as below:



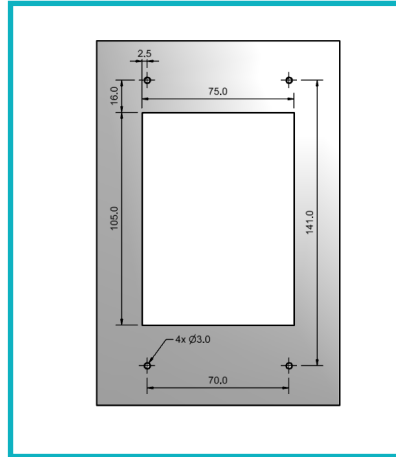
Fixing the unit to the COP

Follow the simple steps below to install the surface mounted COP accessory on the COP.

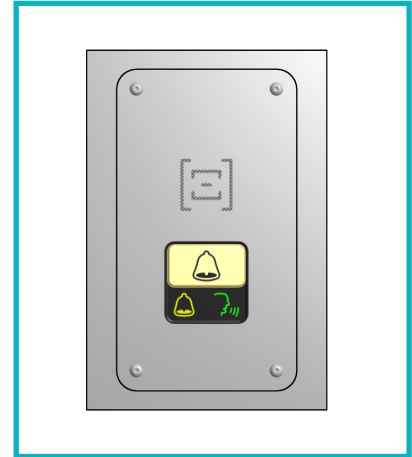
1. Cut hole in COP to allow space for PCB



2. Drill fixing holes



4. Fix unit in place with four screws provided



Programming Options

- + One touch programming (programming tool)
- + Programming through the full product menu (programming tool)
- + Remotely via ETR software or a touch-tone telephone handset

Programming, at the touch of a button

1. Plug the programming tool into the C100 unit
2. If the C100 programming unit has a programming template set up, the following message will appear 'One-touch programming?'
3. Press the ✓ button and the programming will be downloaded to the C100 unit automatically

If a location message needs to be recorded on the unit, press 1 to go into programming mode and record the message in the following location on the programming menu Messages> Location.

Programming is now complete. You need only refer to the below sections of the guide if more advanced programming is required.



Programming controls and full menu

If you are not able to utilise the one touch programming, program the unit using the full product menu. Details of the menu controls and quick start menu can be found below:

Menu controls



Scroll up



Scroll Down



Forward / Accept



Back / Cancel

Quickstart menu

1. Alarm No 1

- + Using the keypad, enter the first alarm telephone number. If connecting the unit to a Hotline, enter 0 instead of a full telephone number
- + Select the protocol required from the list which includes Guided, Unguided, Memco, P100, and Contact ID. If connecting to a hotline then no telephone number is required, and this will need to be programmed by ticking 'Hotline' in Settings> Sys Config> Hotline

2. Tech. No

- + Using the keypad, enter the telephone number of the software system for Technical calls
- + Select the protocol required from the list
- + The unit will ask if you want to use the same number for background calls, press ✓ to accept and ✗ to reject.

3. Background No

- + If you have accepted to copy the telephone number from the Tech No, you can skip this option
- + If not, enter the telephone number required
- + Select the protocol required from the list.

4. Volume

- + If you require a volume different to the default volume, press the up and down arrows until the desired volume is reached
- + Press ✓ to confirm

5. Location

- + To record a Location Message, press 2 to start recording
- + Press ✓ to end the recording
- + Press 1 to play the message back

6. ID Code

- + Only requires input if you are using GlobalNet to monitor the C100 unit
- + If so, add 3 digit Globalnet customer number to unit ID code, which is written on the bottom of the unit ie 109 463768

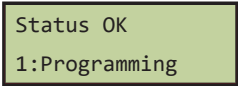
7. Network ID

- + If you are attaching more the one C100 unit to a single telephone line, you need to assign each unit a network ID
- + The first unit would have an ID code of 1, the second unit 2, the third unit 3, and so on.

To exit programming mode Press ✗ twice, and select the action required upon exiting from this list.

Exit Only
Test Tech.Call
Test Bkgd.Call

Full Programming Options



If re-programming a unit, you will see the idle screen pictured here. Press 1 to enter the programming menu for full programming options. It will only prompt you to enter a password if one has been made active through selecting EN81-28 Mode.

Full Menu Structure

Quickstart >	
Tel. Numbers >	
	Alarm no.1
	Alarm no.2
	Alarm no.3
	Alarm no.4
	Tech.no.
	Background no.
	Call attempts
Settings >	
	ID Code
	Volume
	System Config >
	HW Monitoring >
Delays >	
	COP delay
	AS delay
	Tech IP delay
	Hangup delay
	Answer delay
	Redial del.
	VAD timeout
Messages >	
	Location
	Reassurance
	Guidance
Time/Date >	
	Time
	Date
Advanced >	
	Passcode
	Network ID
	Next EN81 call
	PBX Frequency
	Language >
	Relay mode >
	Relay override>
	GMT Offset
Templates	
	Load Template
	Save Template
	Del. Template

Menu Sections explained...

Quick Start

The quick start menu consists of 7 menu options required for quick setup. Please refer to the previous page in this guide for more information.

Tel. Numbers

Alarm no.

Up to four alarm telephone numbers can be programmed in the C100 unit.

Using the keypad, enter the first alarm telephone number.

When using a Hotline, (see System Config) enter the telephone number as 0.

Select a protocol required from this list

Guided Voice	Unit will play a Guidance Message (see page 10) to the call centre when answering an alarm call
Unguided Voice	No message is played when a alarm call is answered.NOTE: If 'Auto Location' has been selected in 'System Config-' then the location message WILL automatically play at the start of the call.
Memco	Protocol required if receiving background test calls with ETR
P100	Protocol required if receiving background test calls with P100 receiver software
Contact ID	Protocol required if receiving background test calls with 'Contact ID' receiver software

Scroll to the preferred protocol and press ✓ to confirm.

Note: When connecting to a PBX/PABX, insert the number required to get an outside line, followed by a pause (*), followed by the telephone number. i.e.. 9*01344854000

If further alarm numbers are required, repeat this process for Alarm No. 2, Alarm No. 3 etc.

Tech. no.

The C100 can place Technical alert calls to signal faults with the system.

A Technical alert is a non-scheduled event e.g. from a Technical Input or low battery with no main power.

All other diagnostics are checked during a scheduled Background Call (see below). As standard this number is attempted the number of times indicated by the 5th digit in Call Attempts (see below Call Attempts) screen before waiting for the next technical alarm.

If using Avire ETR software select the 'Memco' protocol.

Background no.

To set up the EN81-28 three day test call (background test call) programme the required telephone number here.

If using Avire ETR software select the 'Memco' protocol.

Call Attempts

The number of attempts the C100 will make to contact each telephone number (maximum is 9 attempts per number).

The default is '999999'; each digit identifies one of the six programmed telephone numbers.

Full Programming Options

Full Menu Structure

Quickstart >	
Tel. Numbers >	
	Alarm no.1
	Alarm no.2
	Alarm no.3
	Alarm no.4
	Tech.no.
	Background no.
	Call attempts
Settings >	
	ID Code
	Volume
	System Config >
	HW Monitoring >
Delays >	
	COP delay
	AS delay
	Tech IP delay
	Hangup delay
	Answer delay
	Redial del.
	VAD timeout
Messages >	
	Location
	Reassurance
	Guidance
Time/Date >	
	Time
	Date
Advanced >	
	Passcode
	Network ID
	Next EN81 call
	PBX Frequency
	Language >
	Relay mode >
	Relay override>
	GMT Offset
Templates	
	Load Template
	Save Template
	Del. Template

Menu Sections explained...

Settings

ID Code

If using Memco GlobalNet to monitor the C100 enter the following:

[3 digit customer number][Unit ID code]

Volume

Press the up and down arrows to adjust the volume, and press ✓ to confirm.

System Config

Sets how the system will operate. Select / deselect which modes of operation are required in the system using the ✓ key. See below for a full explanation of each option:

System Config		
	Multi-dial	Sets the unit to call each of the programmed alarm numbers one after the other.
	EN81-28 Mode	Prevents the unit from accepting incoming calls when not in an alarm state and requires a passcode to enter remote programming.
	Consec. dial	Changes the dialling sequence; all call attempts to the first number are completed before unit attempts to call the second number and so on.
	Alt. dial tone	Allows system to work with an intermittent dial tone.
	Verbal c/down	Units gives a verbal countdown until the emergency call is placed.
	Passcode?	Require a passcode to be entered before accessing the 'System Config' menu.
	EOA pictogram	Sets the system to keep the alarm pictogram lit whilst the unit is in an alarm state.
	Alarm tone	Sets the unit to emit a tone from the internal speaker when the alarm push is pressed.
	Hotline	Use if setting as a hotline. A hotline is where the C100 will automatically connect to another extension within the building telephone exchange.
	Auto Location	When an operator answers an alarm call, the C100 will automatically play the location message. NOTE: when programming in the alarm numbers 'UNGUIDED' protocol must be selected (see section on Alarm Numbers for more detail).
	Avoid Silence	During an alarm call the C100 will not mute its speaker, unless the operator presses the '2' key on their handset.

Full Programming Options

Menu Structure

Quickstart >	
Tel. Numbers >	
	Alarm no.1
	Alarm no.2
	Alarm no.3
	Alarm no.4
	Tech.no.
	Background no.
	Call attempts
Settings >	
	ID Code
	Volume
	System Config >
	HW Monitoring >
Delays >	
	COP delay
	AS delay
	Tech IP delay
	Hangup delay
	Answer delay
	Redial del.
	VAD timeout
Messages >	
	Location
	Reassurance
	Guidance
Time/Date >	
	Time
	Date
Advanced >	
	Passcode
	Network ID
	Next EN81 call
	PBX Frequency
	Language >
	Relay mode >
	Relay override>
	GMT Offset
Templates	
	Load Template
	Save Template
	Del. Template

Menu Sections explained...

Quick dial	Reduces the dial tone detection test from 7 seconds to 3 seconds – prevents issues with exchanges timing out after 4 seconds.
Quick VAD	Allows the C100 to detect speech before the first ring pulse has been sent down the line,
Dialtone req.	Requires the C100 to detect a dial tone before it attempts to dial out.
Lineflt. Alert	If the phone line to the C100 is cut, the unit will play an audible warning message. The message will repeat every 3 minutes until the phone line is restored.

HW Monitoring

Hardware monitoring sets which system elements are checked when the unit completes its self-check and places a test call. Default settings are shown below:

HW Monitoring >	
	Power Supply ✓
	Battery ✓
	Phone Line ✓
	Spkr/mic. ✓
	AS X
	GSM Status X

Delays

The delays can be set to alter the length of the delay before the unit places a call.

COP delays - How long (in seconds) each of the alarm buttons, in the COP, needs to be pressed before an emergency call is placed. Default is 3 seconds

AS delay - Local voice alarm station (LVAS) and remote alarm station (RAS). How long (in seconds) each of the alarm buttons needs to be pressed before an emergency call is placed. Default is 3 seconds.

Tech delay - Relates to the delay before a technical call is placed, upon receiving a fault signal from a connected third party device using Technical Input.

Hang up delay - Sets time (in minutes) before C100 hangs up a call (talk time).

Answer delay - the number of rings the C100 must detect before answering any incoming calls. Where multiple C100 are sharing a line, they must all have the same Answer Delay set.

Redial del. - Sets a delay (in seconds) between the C100 dialling different numbers. A setting of 0 (the default setting) will de-activate this feature.

VAD Timeout - Sets a time out (in seconds) whereby if the C100 does not detect voice on the line it will automatically terminate the call. A setting of 0 (the default setting) will de-activate this feature.

Full Programming Options

Menu Structure

Quickstart >	
Tel. Numbers >	
	Alarm no.1
	Alarm no.2
	Alarm no.3
	Alarm no.4
	Tech.no.
	Background no.
	Call attempts
Settings >	
	ID Code
	Volume
	System Config >
	HW Monitoring >
Delays >	
	COP delay
	AS delay
	Tech IP delay
	Hangup delay
	Answer delay
	Redial del.
	VAD timeout
Messages >	
	Location
	Reassurance
	Guidance
Time/Date >	
	Time
	Date
Advanced >	
	Passcode
	Network ID
	Next EN81 call
	PBX Frequency
	Language >
	Relay mode >
	Relay override>
	GMT Offset
Templates	
	Load Template
	Save Template
	Del. Template

Menu Sections explained...

Messages

Messages >	
Location	This is the only message that needs recording. The location message is played to the call centre receiving the alarm call, to inform them of the location of the lift.
Reassurance	This is the message played to trapped passengers as an alarm call is being placed
Guidance	If the 'Guided' protocol has been selected, this message will be played to the call centre operator to ask them to select whether to listen to the Location message or to be connected to the lift car immediately.

Time / Date

The time and date can be set by entering the correct values and confirm by pressing ✓.

Advanced

Passcode

Enter the passcode required to enter standard programming mode when EN81-28 mode is active. (up to 6-digits). From the idle screen you will have to press * PASSCODE #

Network ID

Set an extension number 1-8 where units share a phone line. All unit IDs on a system need to be unique.

Next EN81 call

Details the next scheduled Background call for the unit.

PBX Frequency

Sets disconnect tone frequency (40-2000Hz in 40Hz steps), if connected to a PBX, which does not use standard tones.

Language

Tick the language required from the on-screen list provided.

Full Programming Options

Menu Structure

Quickstart >	
Tel. Numbers >	
	Alarm no.1
	Alarm no.2
	Alarm no.3
	Alarm no.4
	Tech.no.
	Background no.
	Call attempts
Settings >	
	ID Code
	Volume
	System Config >
	HW Monitoring >
Delays >	
	COP delay
	AS delay
	Tech IP delay
	Hangup delay
	Answer delay
	Redial del.
	VAD timeout
Messages >	
	Location
	Reassurance
	Guidance
Time/Date >	
	Time
	Date
Advanced >	
	Passcode
	Network ID
	Next EN81 call
	PBX Frequency
	Language >
	Relay mode >
	Relay override>
	GMT Offset
Templates	
	Load Template
	Save Template
	Del. Template

Menu Sections explained...

Relay Mode

The relay can be used to switch the power supply to an external device (e.g. warning siren, door locking systems).

Relay Mode >		
Siren	✘	Relay contacts close when the Alarm Push is activated, and open again after the alarm push delay. Typically used to trigger a siren on the lift car.
Door (NO/CMD)	✘	Door release mode, release on command, default relay state is N/O: The door release is only activated if the operator presses the '8' key on their handset during the initial alarm call or any follow-up calls. The release will then remain activated until the call ends.
Door (NC/CMD)	✘	Door release mode, release on command, default relay state is N/C: The door release is only activated if the operator presses the '8' key on their handset during the initial alarm call or any follow-up calls. The release will then remain activated until the call ends.
Door (NO/ALM)	✘	Door release mode, release on alarm push, default relay state is N/O. The door release is activated as soon as the Alarm Pictogram is lit, and remains activated until the End of Alarm signal is received.
Door (NC/ALM)	✘	Door release mode, release on alarm push, default relay state is N/C. The door release is activated as soon as the Alarm Pictogram is lit, and remains activated until the End of Alarm signal is received.
PSTN fault	✘	The relay contacts default to closed, and open whenever a PSTN line fault is detected. When the fault condition is cleared, the contacts return to the default closed state.
Tech. fault	✘	Technical fault mode - The relay contacts default to the closed state, opening whenever any technical fault is detected by the Memcom. Once the fault condition has cleared, the contacts close again.
Emg. Lighting	✘	Emergency lighting mode - the relay contacts default to the open state, closing within 1 second of a loss of external power. This allows the use of the relay to switch backup power to emergency lighting hardware during an external power failure. Once external power is restored, the relay contacts open again.
Spk. Picto	✘	If a dual illuminated alarm push is connected to the relay contacts: When the call centre answers an alarm call the relay contact will close and trigger the illumination on the alarm push; alarm push will remain lit until the call centre ends the call.
Both Pictos	✓	If a dual illuminated alarm push is connected to the relay contacts: When the alarm button is pressed the relay contact will close triggering the illumination on the alarm push; alarm push will remain lit until the call centre ends the call.

Full Programming Options

Menu Structure

Advanced >	Passcode
	Network ID
	Next EN81 call
	PBX Frequency
	Language >
	Relay mode >
	Relay override>
	GMT Offset
Templates	
	Load Template
	Save Template
	Del. Template

Menu Sections explained...

Relay Override

Relay Override >	
None	The relay will switch according to the Relay Mode setting.
Open	The relay contacts will be held in the open state until Relay Override is changed again.
Closed	The relay contacts will be held in the closed state until Relay Override is changed again.

GMT Offset

Will not need updating on the unit. For reference only.

Templates

The current programming selection on the C100 Programming Tool (C100 PT) can be saved as a template to allow 'One Touch Programming'.

Up to eight programming templates can be stored on the C100 PT.

Load Template

1. Load a programming template onto the C100 telephone:
2. Select the required programming template from the list and press ✓
3. In the confirmation screen press ✓ to load the template or press ✕ to cancel
4. If no templates are saved to the C100 PT then the list will be blank

Save Template

1. Save the current programming selection on the C100 PT as a template:
2. Select (NEW TMEPLATE) and press ✓
3. In the confirmation screen press ✓ to load the template or press ✕ to cancel
4. The C100 PT will automatically name the template (starting with 'TEMPLATE 1').

5. Overwrite an existing template with the current programming selection on the C100 PT:
6. Select the template you whist to overwrite form the list and press ✓
7. In the confirmation screen press ✓ to load the template or press ✕ to cancel

Del. Template

1. Delete a template from the C100 PT:
2. Select the required programming template from the list and press ✓
3. If no templates are saved to the C100 PT then the list will be blank
4. In the confirmation screen press ✓ to load the template or press ✕ to cancel.



If you require any further assistance when programming the C100 unit, please call our Technical Service Team on:- 01628 540160.

AVIRE

Memco is a brand of Avire

Avire Ltd

Unit 1, The Switchback
Gardner Road
Maidenhead
Berkshire
SL6 7RJ, UK

T: 01628 540100
F: 01628 621947
E: sales.uk@avire-global.com
W: www.avire-global.com



Memco® C100 Flush Mount 1, 2 a 3

Montážní návod

Ref No. C100 852(Cz) Version 5

Memco C100 je nouzový telefonní systém ke kabinovému ovladači výtahu. Byl navržen, aby poskytoval rychlou a jednoduchou montáž a je zároveň prvním nouzovým telefonem, který může být naprogramován pouhým stiskem tlačítka, což činí programovací proces jednodušší a rychlejší než kdy předtím.

Model No. C100 FM1



Tato produktová varianta může být instalována zároveň s ovládacím panelem výtahu a zahrnuje v sobě reproduktor a mikrofon.

Model No. C100 FM2



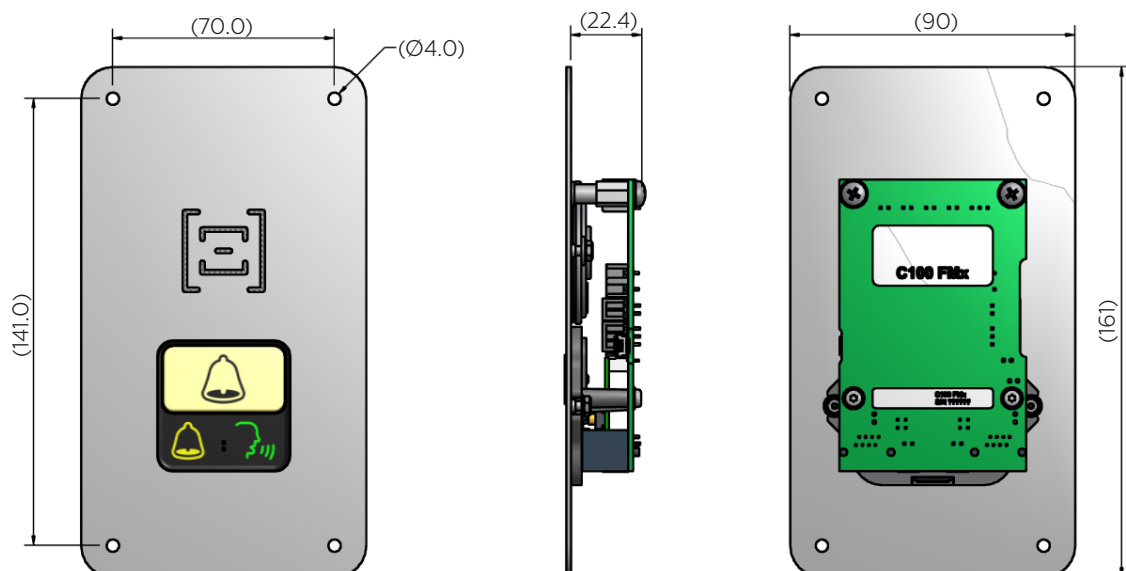
Tato produktová varianta může být instalována zároveň s ovládacím panelem výtahu a zahrnuje v sobě reproduktor, mikrofon a piktogramy.

Model No. C100 FM3



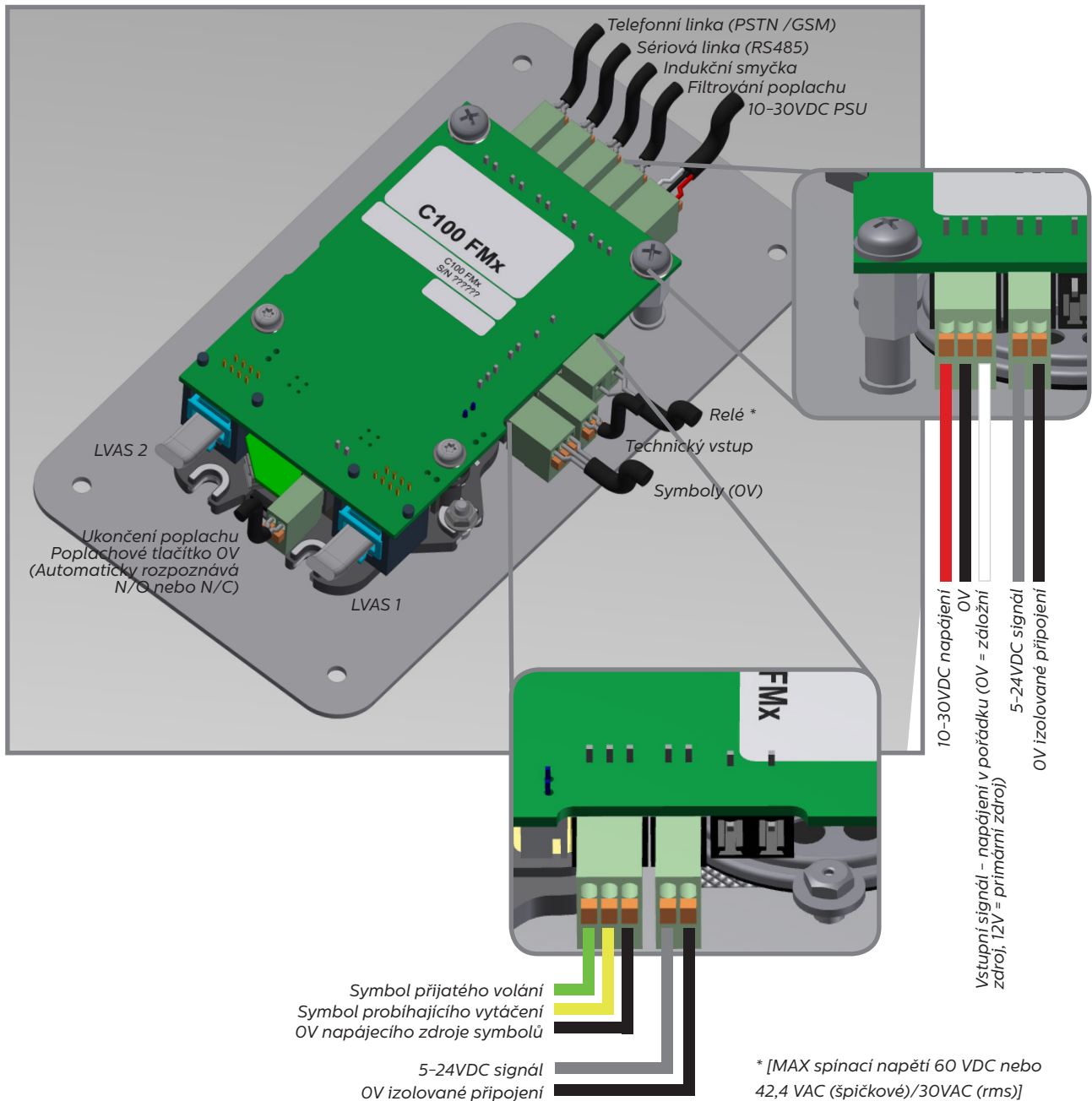
Tato produktová varianta může být instalována zároveň s ovládacím panelem výtahu a zahrnuje v sobě reproduktor, mikrofon, piktogramy a nouzové tlačítko.

Rozměry (mm)



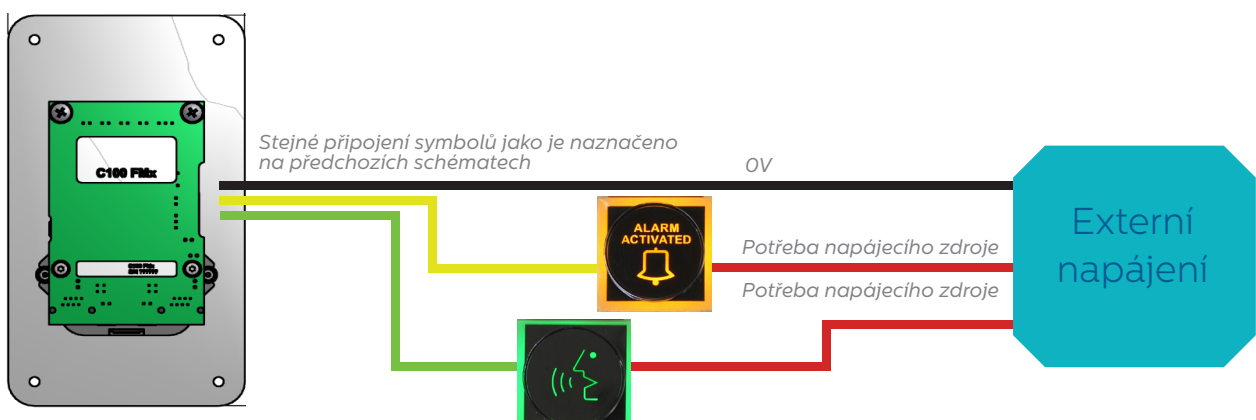
Připojení k hlavní jednotce

Níže detail ukazující všechna dostupná připojení na jednotce C100 FM3. Všechna připojení, která mají specifickou polaritu/vyžadují specifické zapojení v konektoru jsou vysvětlena v přiblížených sekcích.



Připojení externích symbolů

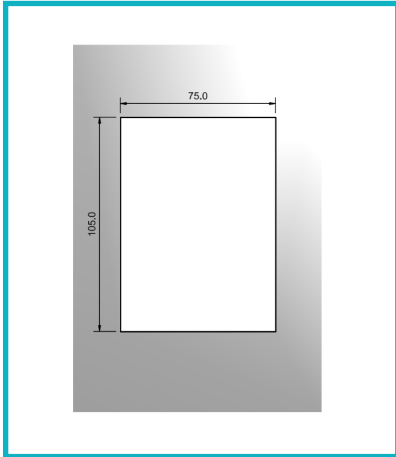
Dokud jsou externí symboly napájeny nezávislým napájecím zdrojem, C100 může ovládat jejich funkci. Tyto symboly by měly být připojeny následovně:



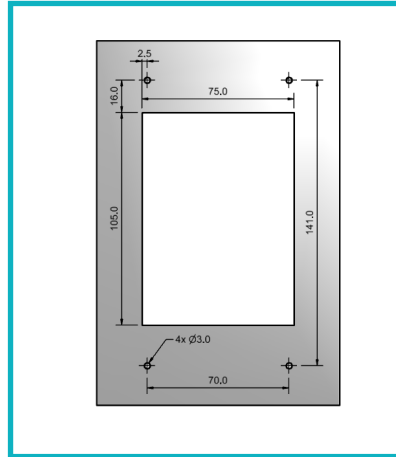
Montáž jednotky za ovládací panel

Při instalaci C100 FM ke kabinového ovladači výtahu se řiďte jednoduchými kroky níže

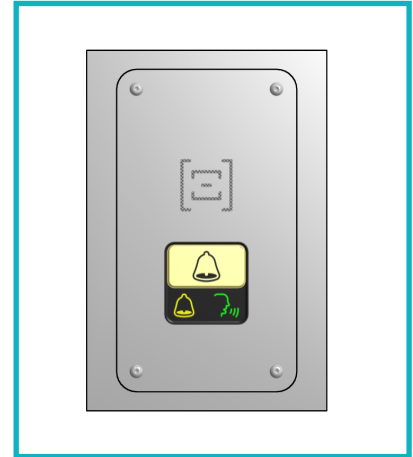
1. Vyřízněte v panelu otvor pro DPS



2. Vyvrtejte upevňovací díry



3. Upevněte jednotku na místo pomocí 4 dodaných šroubů



Programovací možnosti

- + Programování jedním dotekem (programátor)
- + Programování přes celé dostupné menu
- + Vzdáleně pomocí ETR softwaru nebo tónovou volbou na telefonním setu

Programování dotekem tlačítka

1. Připojte programátor k C100 telefonu
2. Pokud je v C100 programátoru uložena programovací šablona, zobrazí se zpráva „Uložené hodnoty Programovat?“
3. Stiskněte ✓ tlačítko a nastavení se automaticky stáhne do C100 jednotky

Pokud je třeba nahrát lokalizační zprávu, stiskněte 1. pro vstup do programovacího módu a nahrajte zprávu v menu Zprávy>Umístění.

Programování je nyní dokončeno. Další sekce návodu potřebujete pouze, pokud je potřeba pokročilejších proramovacích nastavení.



Ovládání programování a kompletní menu

Pokud nemůžete použít programování jedním dotekem, použijte k naprogramování jednotky celé produktové menu. Detaily menu níže.

Ovládání menu



Nahoru



Dolů



Přijmout / potvrdit



Zpět / zrušit

Menu 'Rychlý start'

1. Nouz. číslo 1

- + Použitím klávesnice zadejte první poplachové telefonní číslo. Pokud je jednotka připojena k Hotline, zadejte 0 místo celého telefonního čísla
- + Vyberte potřebný protokol z nabízených možností, které obsahují Hlas. průvodce, Bez hlas. prův., Memco, P100 a Kontakt ID. Pokud připojujete C100 k hotline, žádné číslo není potřeba a tato možnost musí být nastavena potvrzením 'Hotline' v Nastavení>Konfigurace systému>Hotline

2. Tech. hovor

- + Použitím klávesnice zadejte telefonní číslo softwarového systému pro technické hovory
- + Vyberte potřebný protokol z nabízených možností
- + Jednotka se zeptá, zda chcete použít stejné číslo pro testovací volání, stiskněte ✓ pro přijetí a ✗ pro odmítnutí.

3. Zkuš. hovor

- + Pokud jste potvrdili kopírování telefonního čísla z tech. hovoru, můžete přeskočit toto nastavení
- + Pokud ne, zadejte telefonní číslo
- + Vyberte protokol z nabízených možností.

4. Hlasitost

- + Pokud chcete změnit přednastavenou hlasitost, mačkejte šipky nahoru a dolů, dokud není dosaženo požadované hlasitosti
- + Stiskněte ✓ pro potvrzení

5. Umístění

- + Pro nahrání lokalizační zprávy stiskněte 2
- + Stiskněte ✓ pro ukončení nahrávání
- + Stiskněte 1 pro přehrání nahrané zprávy

6. ID kód

- + Vyžaduje hodnotu pouze v případě, pokud používáte GlobalNet k monitorování C100 jednotky
- + Pokud ano, přidejte 3 číselné GlobalNet zákaznické číslo k ID kódu jednotky, který je napsán na její spodní straně, např. 109 463768

7. ID sítě

- + Pokud připojujete více než jednu C100 na jednu telefonní linku, musíte přiřadit každé jednotce síťové ID
- + První jednotka bude mít ID kód 1, druhá 2, třetí 3 atd.

Pro opuštění programovacího módu stiskněte dvakrát ✗ a vyberte požadovanou možnost z následující tabulky.

Exit Only
Test Tech, Call
Test Bkgd. Call

Úplné programovací možnosti

Kompletní struktura menu

Status OK	
1: Programování	
Rychlý start >	
Telef. čísla >	
	Nouz. číslo 1
	Nouz. číslo 2
	Nouz. číslo 3
	Nouz. číslo 4
	Tech. hovor
	Zkuš. hovor
	Počet pokusů
Nastavení >	
	ID kód
	Hlasitost
	Konfig. systému >
	Monitoring HW >
Prodlevy >	
	Prodleva kabin
	Prodleva AS
	Prodl. tech. IP
	Prodl. ukončení
	Prodl. přijetí
	Odklad opak.
	Odklad VAD
Zprávy >	
	Umístění
	Potvrzení
	Průvodce
Čas/datum >	
	Nastav. času
	Nastav. data
Pokročilý >	
	Heslo
	ID sítě
	Další tech. hov
	Frekvence PBX
	Jazyk >
	Mód relé >
	Přepsání relé >
	Nastavení GSM
Šablony	
	Stáhní šablonu
	Uložit šablonu
	Smazat šablonu

Pokud přeprogramováváte jednotku, uvidíte obrazovku zde vyobrazenou. Stiskněte 1 pro vstup do programovacího menu a zobrazení všech programovacích možností. K zadání hesla budete vyzváni pouze, pokud bylo nějaké aktivováno vybráním EN81-28 módu

Vysvětlení sekcí menu...

Rychlý start

Nabídka rychlého začátku sestává ze 7 nabídkových voleb potřebných pro rychlý začátek. Další informace naleznete na předchozích stránkách tohoto průvodce.

Telef. čísla

Č. tísňě

Do přístroje C100 lze naprogramovat až čtyři tísňová telefonní čísla.

Pomocí klávesnice zadejte první tísňové telefonní číslo

Při použití Horké linky zadejte telefonní číslo ve formátu 0.

Z tohoto seznamu vyberte potřebný protokol.

Hlas. průvodce	Při přijímání tísňového volání přehraje přístroj do centra hovorů zprávu o řízení (viz stránka).
Bez hlas. prův.	Při přijetí tísňového volání není přehrána žádná zpráva. POZNÁMKA: Byla-li pod 'Konfigurace systému+' vybrána 'Automatická poloha', pak BUDE na začátku hovoru automaticky přehrána zpráva o poloze.
Memco	Při přijímání zkušebních hovorů na pozadí přes ETR je potřebný protokol
P100	Při přijímání zkušebních hovorů na pozadí se software přijímače P100 je potřebný protokol
Kontakt ID	Při přijímání zkušebních hovorů na pozadí se software přijímače 'ID kontaktu' je potřebný protokol

Přesuňte se na preferovaný protokol a potvrďte stiskem ✓.

Poznámka: Při připojování k PBX/PABX vložte potřebné číslo, abyste se dostali na externí linku, a poté zadejte pauzu (*), po níž bude následovat telefonní číslo, tj. 9*01344854000

Budou-li potřeba další čísla, opakujte tento pro tiseň č. 2, tiseň č. 3, atd.

Tech. hovor

C100 může uskutečněním hovorů technických tísni signalizovat chyby v systému

Technická tiseň je neplánovaná událost, jako například od technického vstupu nebo při nízké hladině baterie a bez napájení z přípojky.

Veškerá ostatní diagnostika je kontrolována při plánovaném hovoru na pozadí (viz níže). Dle standardního nastavení bude toto číslo pokusně kontaktováno tolikrát, kolik udává pátá číslice na obrazovce počtu pokusů o hovor (viz níže pod Pokusy o hovor), načež se bude čekat na další technickou výstrahu.

Používáte-li software Avire ETR, vyberte protokol 'Memco'.

Zkuš. hovor

Chcete-li nakonfigurovat třídení zkušební hovor EN81-28 (zkušební hovor na pozadí) naprogramujte potřebné telefonní číslo sem.

Používáte-li software Avire ETR, vyberte protokol 'Memco'.

Počet pokusů

Počet pokusů o kontaktování jednoho každého telefonního čísla, které C100 provede (maximum je 9 pokusů na jedno číslo).

Implicitně nastavené číslo je '999999'; každá číslice se týká jednoho ze šesti naprogramovaných telefonních čísel.

Úplné programovací možnosti

Kompletní struktura menu

Rychlý start >	
Telef.čísla >	
	Nouz.číslo 1
	Nouz.číslo 2
	Nouz.číslo 3
	Nouz.číslo 4
	Tech.hovor
	Zkuš.hovor
	Počet pokusů
Nastavení >	
	ID kód
	Hlasitost
	Konfig.systému>
	Monitoring HW >
Prodlevy >	
	Prodleva kabin
	Prodleva AS
	Prodl.tech.IP
	Prodl.ukončení
	Prodl.přijetí
	Odklad opak.
	Odklad VAD
Zprávy >	
	Umístění
	Potvrzení
	Průvodce
Čas/datum >	
	Nastav.času
	Nastav.data
Pokročilý >	
	Heslo
	ID sítě
	Další tech.hov
	Frekvence PBX
	Jazyk >
	Mód relé >
	Přepsání relé >
	Nastavení GSM
Šablony	
	Stáhní šablonu
	Uložit šablonu
	Smazat šablonu

Vysvětlení sekcí menu...

Nastavení

ID kód

Používáte-li k monitorování Memcom+ Memco GlobalNet, zadejte následující:

[Třímístné zákaznické číslo][ID kód přístroje]

Hlasitost

Stiskem tlačítek šipek nahoru a dolů můžete měnit hlasitost a stiskem ✓ můžete potvrdit zadání. .

Konfig. systému

Nastavuje, jak se bude systém chovat. Umožněte / zakažte operační módy, které jsou v systému potřeba, použitím klávesy ✓. Niže vysvětlení každé možnosti:

Konfig.systému>	
Vícenás.vytáč	Zabrání přístroji přijímat příchozí hovory v době, kdy není ve stavu výstrahy a pro vstup do dálkového programování vyžaduje kódové heslo.
Mód EN81-28	Zabrání přístroji přijímat příchozí hovory v době, kdy není ve stavu výstrahy a pro vstup do dálkového programování vyžaduje kódové heslo.
Postup.volba	Mění posloupnost vytáčení; všechny pokusy o vytvoření prvního čísla budou provedeny ještě předtím, než se přístroj pokusí vytvořit druhé číslo, a tak dále.
Alt.tón.volba	Umožňuje systému práci s nepřerušovaným vyzváněcím tónem.
Hlas.odpoč.	Přístroj vydává slovní odpočítávání do uskutečnění tísňového hovoru.
Heslo?	Před vstupem do nabídky 'Konfigurace systému' vyžadovat zadání kódového hesla.
Piktogram EOA	Nastavuje systém pro udržení výstražného piktogramu v nasvíceném stavu v době, kdy je přístroj v tísňovém stavu.
Tón výstrahy	Nastavuje přístroj tak, aby při stisknutí výstražného tlačítka vydával tón z interního reproduktoru.
Hotline	Použijte v případě nastavení v podobě horké linky. Horká linka je místo, kde se C100 automaticky připojí k jiné příponě uvnitř telefonní ústředny budovy.
Autom.lokal.	Když bude operátor přijímat tísňové volání, Memcom+ automaticky přehraje zprávu o poloze. POZNÁMKA: při programování tísňových čísel musí být vybrán protokol 'UNGUIDED' ('NERÍZENÝ') (další podrobnosti naleznete v části o tísňových číslech).
Nevyp.reprod.	Při tísňovém volání přístroj Memcom+ neztlumí svůj reproduktor, nestiskne-li obsluha tlačítko '2' na svém sluchátku.

Kompletní struktura menu

Rychlý start >	
Telef.čísla >	
	Nouz.číslo 1
	Nouz.číslo 2
	Nouz.číslo 3
	Nouz.číslo 4
	Tech.hovor
	Zkuš.hovor
	Počet pokusů
Nastavení >	
	ID kód
	Hlasitost
	Konfig.systému>
	Monitoring HW >
Prodlevy >	
	Prodleva kabin
	Prodleva AS
	Prod.tech.IP
	Prod.l.ukončení
	Prod.l.přijetí
	Odklad opak.
	Odklad VAD
Zprávy >	
	Umístění
	Potvrzení
	Průvodce
Čas/datum >	
	Nastav.času
	Nastav.data
Pokročilý >	
	Heslo
	ID sítě
	Další tech.hov
	Frekvence PBX
	Jazyk >
	Mód relé >
	Přepsání relé >
	Nastavení GSM
Šablony	
	Stáhní šablonu
	Uložit šablonu
	Smazat šablonu

Vysvětlení sekci menu...

Rychlé vytáč.	Zkracuje test detekce vyzváněcího tónu ze 7 sekund na 3 sekundy – zabraňuje problémům s vypršením ústředny po 4 sekundách.
Rychlé VAD	Umožňuje počítači Memcom+ detekovat řeč před odesláním prvního vyzváněcího impulzu na lince.
Nutný tón	Vyžaduje, aby Memcom+ detekoval vyzváněcí tón předtím, než se pokusí o vytáčení.
Nepoužívá	Bude-li telefonní linka připojená k přístroji Memcom+ přerušena, přístroj přehraje zvukové výstražné upozornění. Tato zpráva bude opakována každé 3 minuty, dokud nebude připojení přístroje k telefonní lince obnoveno.

Monitoring HW - Monitorování hardware určuje, které prvky systému budou kontrolovány, až přístroj dokončí svůj autotest a uskuteční zkušební hovor. Níže jsou uvedena implicitní nastavení:

Monitoring HW>	
Zdroj proudu	✓
Baterie	✓
Telefonní linka	✓
Reproduktory/mikrofon	✓
AS	X
Stav GSM	X

Prodlevy

Prodlevy slouží k nastavení časů předtím, než jednotka uskuteční hovor.

Prodleva kabin - Zpoždění OPK - Na jak dlouho (v sekundách) musejí být stisknuta jednotlivá tísňová tlačítka v OPK, než bude uskutečněno nouzové volání. Implicitní zpoždění je 3 sekundy.

Prodleva AS - 'LVAAS' (Local Voice Alarm Station) se týká příslušenství vícebodové stanice. Na jak dlouho (v sekundách) musejí být stisknuta jednotlivá tísňová tlačítka v přístrojích AS, než bude uskutečněno nouzové volání. Implicitní zpoždění je 3 sekundy.

Prod.tech.IP - Zpoždění předtím, než bude uskutečněn technický hovor po přijetí signálu závady z připojeného zařízení od třetí strany prostřednictvím Technického vstupu.

Prod.l.ukončení - Nastavuje dobu (v minutách), která uplyne předtím, než Memcom+ zavěsí hovor (doba hovoru).

Prod.l.přijetí - Počet zvonění, která musí C100 detekovat předtím, než přijme příchozí hovor. Jestliže více přístrojů Memcom+ sdílí společnou linku, musejí mít všechny nastaveny stejné zpoždění odezvy.

Odklad opak. - Nastaví zpoždění (v sekundách) mezi C100 při vytáčení různých čísel. Nastavení na 0 (implicitní nastavení) tuto funkci deaktivuje.

Odklad VAD - Nastavuje konec doby (v sekundách), za kterou když C100 nedetekuje hlas na lince, pak automaticky ukončí volání. Nastavení na 0 (implicitní nastavení) tuto funkci deaktivuje.

Úplné programovací možnosti

Kompletní struktura menu

Rychlý start >	
Telef.čísla >	
	Nouz.číslo 1
	Nouz.číslo 2
	Nouz.číslo 3
	Nouz.číslo 4
	Tech.hovor
	Zkuš.hovor
	Počet pokusů
Nastavení >	
	ID kód
	Hlasitost
	Konfig.systému>
	Monitoring HW >
Prodlevy >	
	Prodleva kabin
	Prodleva AS
	Prodl.tech.IP
	Prodl.ukončení
	Prodl.přijetí
	Odklad opak.
	Odklad VAD
Zprávy >	
	Umístění
	Potvrzení
	Průvodce
Čas/datum >	
	Nastav.času
	Nastav.data
Pokročilý >	
	Heslo
	ID sítě
	Další tech.hov
	Frekvence PBX
	Jazyk >
	Mód relé >
	Přepsání relé >
	Nastavení GSM
Šablony	
	Stáhní šablonu
	Uložit šablonu
	Smazat šablonu

Vysvětlení sekcí menu...

Zprávy

Zprávy >	
Umístění	Toto je jediná zpráva, která potřebuje nahrát. Zpráva o poloze je přehrána centru hovorů přijímajícímu tísňové volání, aby je informovala o umístění výtahu.
Potvrzení	Toto je zpráva, která bude přehrávána pasažérům uvízlým ve výtahu při realizaci jejich tísňového volání
Průvodce	Když bude vybrán protokol 'Guided' ('Řízený'), bude tato zpráva přehrána operátorovi centra hovorů, aby byl dotázán, zda si chce vyslechnout zprávu o poloze, nebo se okamžitě spojit s kabinou výtahu.

Čas / datum

Čas a datum může být nastaven zadáním správných hodnot a potvrzením stiskem ✓.

Pokročilý

Heslo

Při aktivním režimu EN81-28 zadejte potřebné kódové heslo pro vstup do standardního programovacího režimu. (až 6 číslic). Toto bude také heslový kód potřebný pro přístup ke staré struktuře nabídky. Na nečinné obrazovce však musíte stisknout * PASSCODE #

ID sítě

Jestliže jednu telefonní linku sdílí více přístrojů, vyberte číslo přípony 1 až 8. ID všech přístrojů na systému musejí být unikátní

Další tech. hov.

Další volání EN81 - Podává podrobný přehled dalšího plánovaného hovoru na pozadí pro daný přístroj.

Frekvence PBX (implicitní hodnota je 320)

Nastavuje frekvenci tónu odpojení (40 - 2000 Hz po krocích 40 Hz), při připojení k PBX, který nepoužívá standardní tóny.

Jazyk

Vyberte požadovaný jazyk z nabízených možností.

Úplné programovací možnosti

Kompletní struktura menu

Rychlý start >	
Telef.čísla >	
	Nouz.číslo 1
	Nouz.číslo 2
	Nouz.číslo 3
	Nouz.číslo 4
	Tech.hovor
	Zkuš.hovor
	Počet pokusů
Nastavení >	
	ID kód
	Hlasitost
	Konfig.systému>
	Monitoring HW >
Prodlevy >	
	Prodleva kabin
	Prodleva AS
	Prodl.tech.IP
	Prodl.ukončení
	Prodl.přijetí
	Odklad opak.
	Odklad VAD
Zprávy >	
	Umístění
	Potvrzení
	Průvodce
Čas/datum >	
	Nastav.času
	Nastav.data
Pokročilý >	
	Heslo
	ID sítě
	Další tech.hov
	Frekvence PBX
	Jazyk >
	Mód relé >
	Přepsání relé >
	Nastavení GSM
Šablony	
	Stáhní šablonu
	Uložit šablonu
	Smazat šablonu

Vysvětlení sekcí menu...

Mód relé

Relé lze použít ke spínání napájení k externím zařízením (např. varovná siréna, systém zamykání dveří).

Mód relé >		
	Siréna	✘ Při aktivaci tísňového tlačítka se kontakty relé sepnou a po uplynutí zpoždění tísňového tlačítka se opět rozevrou. Zpravidla se používá ke spuštění sirény na kabině výtahu.
	Dveře (NO/CMD)	✘ Režim otevírání dveří, uvolňování na příkaz, výchozí stav relé je spínací (N/O): Uvolňování dveří bývá aktivováno, jen když operátor stiskne při prvotním tísňovém volání nebo při jakýchkoli následných hovorech tlačítko '8' na svém sluchátku. Uvolnění pak zůstane aktivováno až do ukončení hovoru.
	Dveře (NC/CMD)	✘ Režim otevírání dveří, uvolňování na příkaz, výchozí stav relé je vypínací (N/C): Uvolňování dveří bývá aktivováno, jen když operátor stiskne při prvotním tísňovém volání nebo při jakýchkoli následných hovorech tlačítko '8' na svém sluchátku. Uvolnění pak zůstane aktivováno až do ukončení hovoru..
	Dveře (NO/ALM)	✘ Režim otevírání dveří, uvolňování tísňovým tlačítkem, výchozí stav relé je spínací (N/O): Uvolnění dveří bude aktivováno ihned, jak bude nasvícen výstražný piktogram, a zůstane aktivní až do obdržení signálu konec tísně.
	Dveře (NC/ALM)	✘ Režim otevírání dveří, uvolňování tísňovým tlačítkem, výchozí stav relé je vypínací (N/C): Uvolnění dveří bude aktivováno ihned, jak bude nasvícen výstražný piktogram, a zůstane aktivní až do obdržení signálu konec tísně.
	Chyba PSTN	✘ Kontakty relé jsou dle implicitního nastavení sepnuté a vypínají se vždy, když je detekována závada linky PTSN. Při ukončení chybového stavu se kontakty vrátí do své výchozí sepnuté polohy.
	Tech.chyba	✘ Režim technické závady - Kontakty relé jsou standardně v sepnutém stavu a otevírají se pokaždé, když Memcom+ detekuje nějakou technickou závadu. Až bude chybový stav odstraněn, kontakty se opět uzavrou.
	Nouz.světlo	✘ Režim nouzového osvětlení - kontakty relé mají jako výchozí stav nastaveno vypnutí a při výpadku externího napájení se do 1 sekundy sepnou. To umožňuje používat relé k sepnutí záložního proudu do hardware nouzového osvětlení při výpadku externího napájení. Po obnovení externího napájení se kontakty relé opět vypnou.
	Mluvte pikto	✘ Bude-li ke kontaktům relé připojeno duální osvětlené tísňové tlačítko: Když bude centrum hovorů odpovídat na tísňové volání, kontakty relé se sepnou a zahájí nasvícení tísňového tlačítka; tísňové tlačítko zůstane rozsvíceno až do ukončení hovoru centrem.
	Oba pikto	✓ Bude-li ke kontaktům relé připojeno duální osvětlené tísňové tlačítko: Při stisku tísňového tlačítka se kontakty relé sepnou, čímž zahájí nasvícení tísňového tlačítka; tísňové tlačítko zůstane rozsvíceno až do ukončení hovoru centrem.

Úplné programovací možnosti

Kompletní struktura menu

Pokročilý >	Heslo
	ID sítě
	Další tech.hov
	Frekvence PBX
	Jazyk >
	Mód relé >
	Přepsání relé >
	Nastavení GSM
Šablony	
	Stáhní šablonu
	Uložit šablonu
	Smazat šablonu

Vysvětlení sekci menu...

Přepsání relé

Přepsání relé >	Žádný	Relé bude sepnuto podle nastavení Režimu relé.
	Otevřený	Kontakty relé budou zůstat v rozpojeném stavu, dokud nebude opět změněno 'Přebití relé'.
	Zavřený	Kontakty relé budou zůstat v sepnutém stavu, dokud nebude opět změněno 'Přebití relé'.

Nastavení GSM

Není potřeba měnit, slouží pouze pro referenci.

Šablony

Aktuální naprogramovanou volbu na programovacím nástroji C100 (C100 PT) lze uložit jako šablonu a umožnit tak 'Programování jedním dotykem'.

Do C100 PT lze uložit až osm programovacích šablon.

Načíst šablonu

1. Načtete do telefonu C100 programovací šablonu:
2. Vyberte požadovanou programovací šablonu ze seznamu a stiskněte ✓
3. Na potvrzovací obrazovce načtete stiskem ✓ šablonu, nebo akci zrušte stiskem ✕
4. Jestliže nejsou na C100 PT uloženy žádné šablony, pak bude seznam prázdný

Uložit šablonu

1. Uloží aktuálně naprogramovanou volbu na C100 PT jako šablonu:
2. Vyberte (NEW TMEPLATE) a stiskněte ✓
3. Na potvrzovací obrazovce načtete šablonu stiskem ü nebo zrušte akci stiskem ✕
4. C100 PT šablonu automaticky pojmenuje (začíná se od 'TEMPLATE 1').
5. Přepište stávající šablonu aktuální naprogramovanou volbou na C100 PT:
6. Vyberte ze seznamu šablonu, kterou si přejete přepsat, a stiskněte ✓
7. Na potvrzovací obrazovce načtete šablonu stiskem ✓ nebo zrušte akci stiskem ✕

Výmaz šablony

1. Vymaže šablonu z C100 PT
2. Vyberte požadovanou programovací šablonu ze seznamu a stiskněte ✓
3. Jestliže nebudou do C100 PT uloženy žádné šablony, pak seznam bude prázdný
4. Na potvrzovací obrazovce stiskem ✓ načtete šablonu nebo akci zrušte stiskem ✕



Memco® C100

Einbauvariante 1, 2 und 3

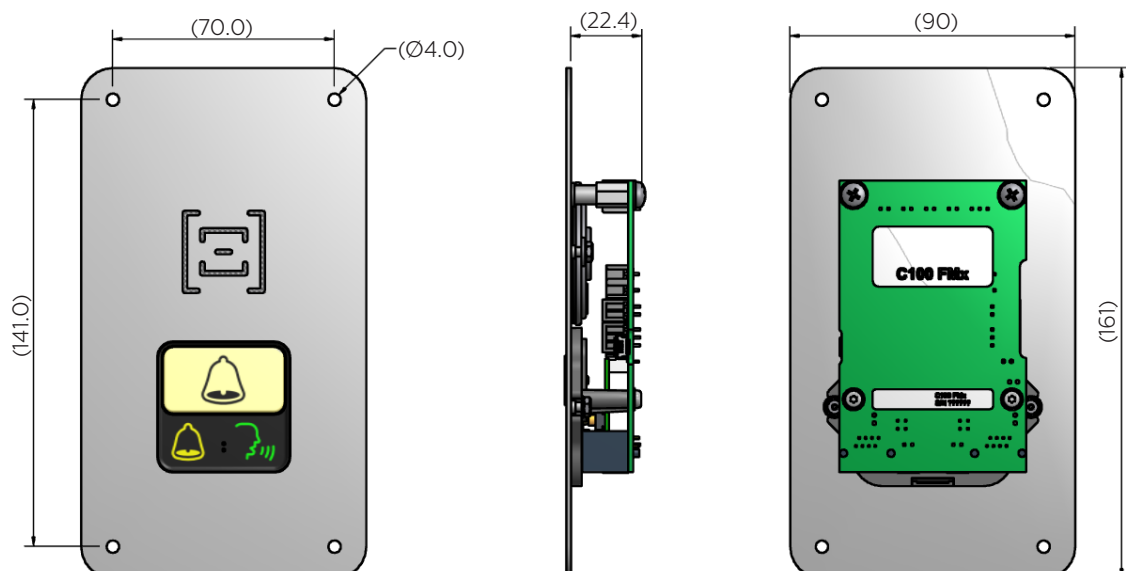
Einbauanleitung

Ref No. C100 852 (D) Version 4

Das Memco C100 ist ein Notruftelefon, das schnell und einfach in der Kabinenwand installiert werden kann. Es kann als erstes Notruftelefon mit einem einzigen Knopfdruck programmiert werden, was die Programmierung schneller und einfacher macht

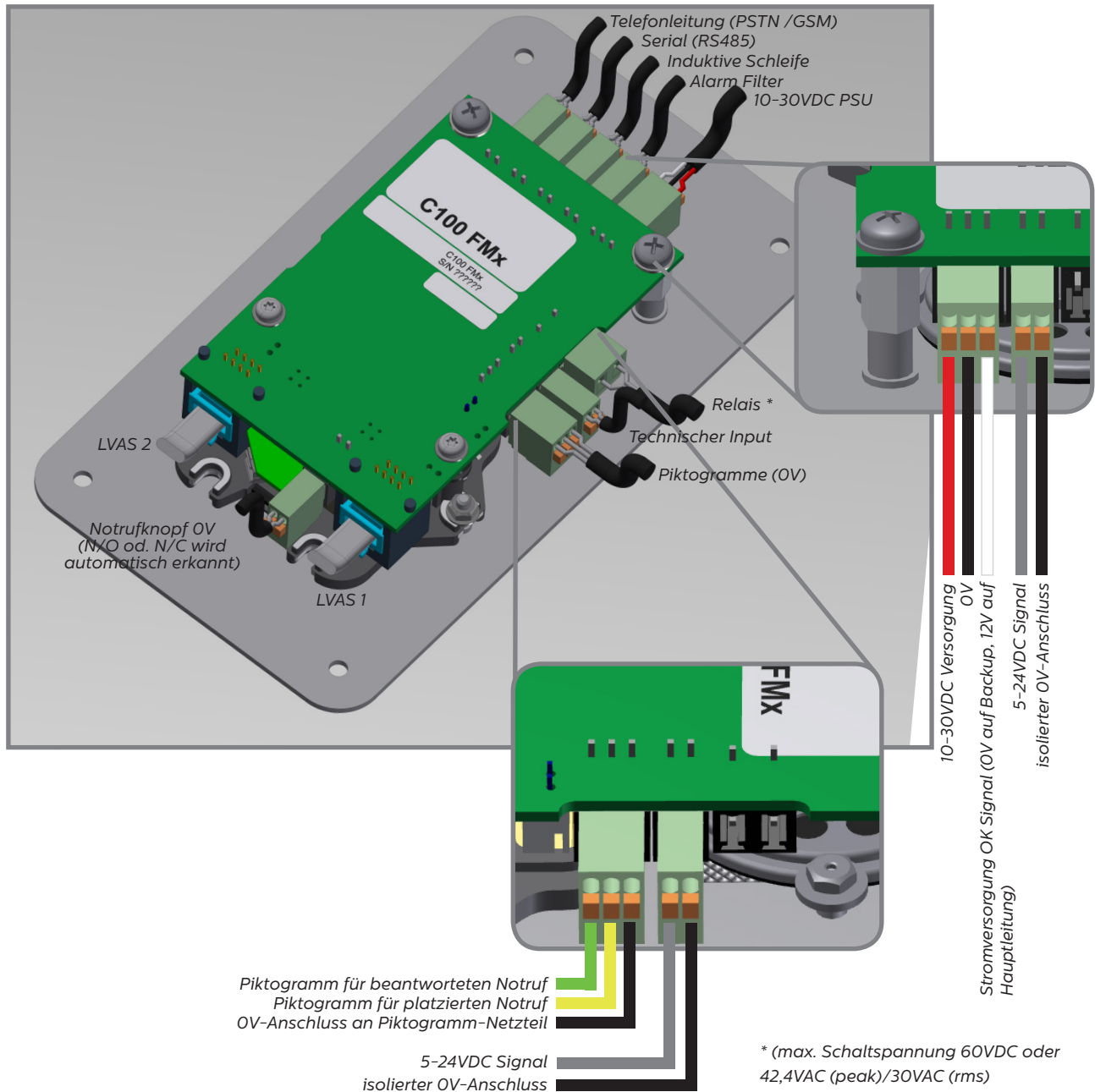


Abmessungen (mm)



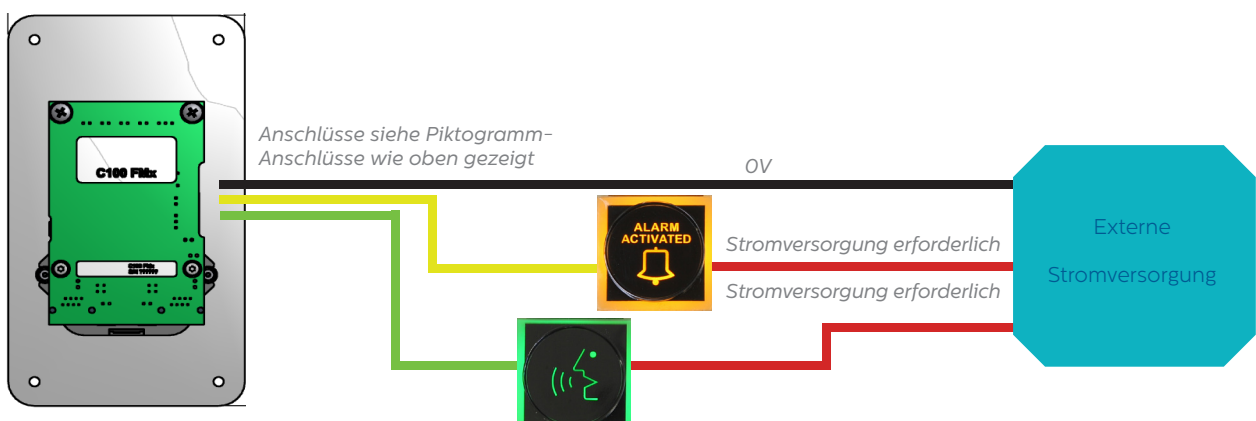
Anschlüsse

Unten sehen Sie alle verfügbaren Anschlüsse der integrierten C100-Variante. Alle Anschlüsse mit spezifischer Polarität / spezifischen Anschlüssen sind in den vergrößerten Abschnitten erklärt.



Anschliessen externer Piktogramme und beleuchteter AlarmKnöpfe

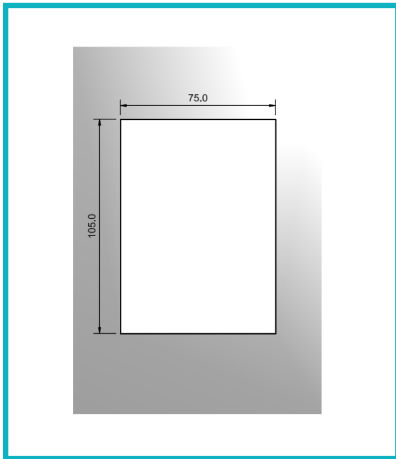
Das C 100 kann alle externen Pictogramme die von einer unabhängigen Stromquelle versorgt werden steuern. Die Piktogramme sollten wie folgt angeschlossen werden:



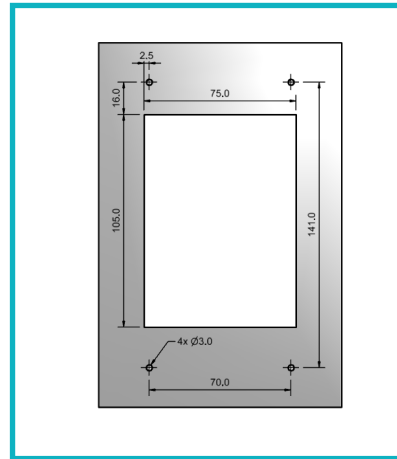
Befestigung des Telefons

Befolgen Sie die unteren Schritte zur Montage des C100 auf der Kabinenwand.

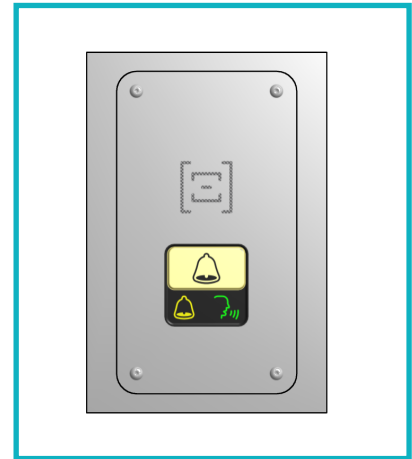
1. Bohren Sie Löcher für die Kabelzuführung in das Panel.



2. Bohren Sie die Befestigungslöcher



4. Schrauben Sie das C100 mit den 4 mitgelieferten Schrauben fest.



Programmierungsoptionen

- + One Touch Programmierung mittels mobilen Programmieradapter
- + Programmierung mittels kompletten Programmiermenüs
- + Fernprogrammierung über die ETR Software oder einem DTMF fähigen Telefon

Programmierung mit einem Knopfdruck

1. Anschliessen des Programmieradapters via USB an das C100
2. Wurde der Programmieradapter bereits vorprogrammiert so erscheint die Meldung "One touch programming?"
3. Bestätigen Sie mit der Taste ✓ um die Programmierung in das C100 zu laden

Muss eine "Standortansage" aufgesprochen werden, drücken Sie 1 um in den Programmiermodus zu kommen und nehmen Sie unter Menüpunkt "Messages> Location" auf.

Nun ist die Programmierung abgeschlossen. Die nun folgen Abschnitte benötigen Sie nur, wenn Sie die erweiterte Programmierung nutzen wollen.



Menüsteuerung und komplettes Menü

Falls Sie die One Touch Programmierung nicht nutzen können, benutzen Sie bitte die komplette Menüstruktur. Die Details des Menüs und das Schnellstart Menü finden Sie hier:

Menüsteuerung



nach oben



nach unten



Vorwärts/Akzeptieren



Zurück/Abbrechen

Schnellstart Menü

1. Alarm Nr 1

- + Geben Sie mittels der Tastatur die erste Notrufalarmnummer ein. Falls Sie Sie an eine Hotline anschliessen, geben Sie eine 0 anstelle der Telefonnummer ein.
- + Wählen Sie das benötigte Protokoll aus der Liste wie P100, Memco, Sprachgeführt. Beim Aufschalten an eine Hotline muss keine Nummer eingegeben werden, aber es muss der Text "Hotline" unter Settings/SysConfig/Hotline angewählt sein

2. Technische Rufnummer

- + Geben Sie mittels der Tastatur die Nummer des Softwaresystems für Ihre technischen Notrufe ein.
- + Wählen Sie das benötigte Protokoll.
- + Das System wird Sie fragen ob Sie diese Nummer auch für Hintergrundanrufe enutzen wollen ✓ einfach akzeptieren oder ✗ ablehnen.

3.Hintergrundanrufe

- + Falls Sie die Nummer unter Schritt2 bereits bestätigt haben, überspringen Sie diesen Punkt.
- + Falls nicht, geben Sie die Nummer ein.
- + Wählen Sie das Protokoll

4. Lautstärke

- + Soll eine andere als die werkseitig eingestellte Lautstärke benötigt werden, so stellen Sie diese mit den Pfeiltasten ein.
- + Drücken Sie ✓ zum bestätigen

5. Lokalisierung

- + Um eine Standortnachricht aufzusprechen, drücken Sie 2 um die Aufnahme zu starten.
- + Drücken Sie ✓ um die Aufnahme zu beenden.
- + Drücken Sie 1 um die Nachricht zu wiederholen.

6. ID Code

- + Wird nur benötigt, wenn Sie Ihr C100 via GlobalNet überwachen.
- + Falls das der Fall ist, fügen Sie die GlobalNet Kundennummer zu dem ID Code, die auf dem Boden der Unit steht...z.B. 109463768

7. Netzwerk ID

- + Schliessen Sie mehr als ein C100 an eine Telefonleitung an, so muss jedes C100 eine eigene Netzwerk ID erhalten.
- + Das erste C100 bekommt den ID Code 1, das zweite 2, das dritte 3 usw.

Um den Programmiermodus zu beenden drücken
✗ Sie zweimal ?? WAS ??, und wählen Sie die gewünschte Aktion aus beim Verlassen aus

Exit Only
Test Tech,Call
Test Bkgd.Call

Vollständige Programmierungsoptionen

Komplette Menüstruktur

Status OK	
1: Programmierung	
Kurzanleitung >	
Tel.Nummer >	
	Notrufnr.1
	Notrufnr.2
	Notrufnr.3
	Notrufnr.4
	Techn.Nr.
	Test Rufnr
	Wahlversuche
Einstellungen >	
	ID GeraeteNr.
	Lautstaerke
	Syst.Einst. >
	HW.Ueberwach. >
Verzoegerungen>	
	Verzoeg.i.Kab
	AS Verzoeg.
	Verz.Techn.
	Verz.Auflegen
	Annahme Verz.
	Verz. Wahlwdh.
	VAD Timeout
Text Ansagen >	
	Standort Text
	Beruhig.Text
	Menue Ansage
Zeit/Datum >	
	Zeit eingeb.
	Datum eingeb.
Erweitert >	
	Zugangscode
	Netzwerk IDNr
	Testanruf am
	FreqNebst.Anl
	Sprache >
	Relaismodus >
	Rel.ueberschr.>
	GMT Einstllg.
Masken	
	Maske laden
	Maske speichern
	Maske loeschen

Wenn Sie ein C100 erneut prgrammieren wollen, werden Sie das Display wie abgebildet sehen. Drücken Sie 1 um in das Menü für die vollständige Programmierung zu sehen. Sie werden nur aufgefordert ein Passwort einzugeben, wenn Sie diese Einstellung aktiviert haben durch die Auswahl des EN 81-28 Modus.

Erklärung der Menüpunkte

Schnellstart Anleitung

Die Quick Start Menü besteht aus 7 Menü Optionen, für schnelles Setup. Beziehen Sie sich bitte auf die vorherige Seite in diesem Handbuch für weitere Informationen.

Telefonnummern

Alarm-Nr.

Es können bis zu vier Alarm-Telefonnummern in das Memcom+ einprogrammiert werden.

Geben Sie die erste Alarm-Telefonnummer über die Telefontastatur ein.

Wenn Sie eine Hotline nutzen, (Syst.Einst) geben Sie diese Telefonnummern als 0 ein.

Blättern Sie zum gewünschten Protokoll und drücken Sie ✓ um zu bestätigen. Bei der Verwendung von ETR-Software oder GlobalNet

Sprache geführt	Das Gerät spielt eine Auswahlmeldung (siehe Seite) für das Call-Center ab, wenn der Alarmanruf entgegengenommen wird.
Sprache ungeführt	Es wird keine Meldung abgespielt, wenn ein Alarmanruf entgegengenommen wird. HINWEIS: Wenn in „System-Konfiguration“ der Punkt „Auto-Standort“ gewählt wurde, wird AUTOMATISCH am Beginn des Anrufs eine Standort-Meldung abgespielt.
Memco	Erforderliches Protokoll für den Empfang von Background-Testanrufen mit ETR
P100	Erforderliches Protokoll für den Empfang von Background-Testanrufen mit der P100 Empfänger-Software
Contact id	Erforderliches Protokoll für den Empfang von Background-Testanrufen mit der Contact ID Empfänger-Software

Scrollen Sie zum gewünschten Protokoll und drücken Sie ✓, um zu bestätigen.

Hinweis: Wenn Sie das Gerät an einer Telefonanlage betreiben, müssen Sie zunächst die Nummer für eine Amtsleitung eingeben, gefolgt von einer Pause (*), wiederum gefolgt von der eigentlichen Telefonnummer, z.B. 9*01344854000.

Wenn weitere Alarm-Nummern erforderlich sind, wiederholen Sie den Vorgang für Alarm-Nr. 2, Alarm-Nr. 3, usw.

Techn.-Nr.

Das C100 kann technische Alarmanrufe tätigen, um über Systemfehler zu informieren.

Ein technischer Alarm ist ein außerplanmäßiges Ereignis, z.B. von einem technischen Eingang oder bei niedrigem Batteriestand und fehlender Netzversorgung.

Alle anderen Diagnosen werden während eines planmäßigen Background-Anrufs (siehe unten) durchgeführt. Standardmäßig wird diese Nummer so oft angerufen, wie durch die fünfte Ziffer im Bildschirm „Anrufversuche“ (siehe unten bei „Anrufversuche“) angegeben, bevor auf den nächsten technischen Alarm gewartet wird.

Wenn Sie die Avire ETR-Software verwenden, wählen Sie bitte das Protokoll „Memco“.

Vollständige Programmierungsoptionen

Komplette Menüstruktur

Kurzanleitung >	
Tel.Nummer >	
	Notrufnr.1
	Notrufnr.2
	Notrufnr.3
	Notrufnr.4
	Techn.Nr.
	Test Rufnr
	Wahlerversuche
Einstellungen >	
	ID GeraeteNr.
	Lautstarke
	Syst.Einst. >
	HW.Ueberwach. >
Verzoegerungen>	
	Verzoeg.i.Kab
	AS Verzoeg.
	Verz.Techn.
	Verz.Auflegen
	Annahme Verz.
	Verz. Wahlwdh.
	VAD Timeout
Text Ansagen >	
	Standort Text
	Beruhig.Text
	Menue Ansage
Zeit/Datum >	
	Zeit eingeb.
	Datum eingeb.
Erweitert >	
	Zugangscode
	Netzwerk IDNr
	Testanruf am
	FreqNebst.Anl
	Sprache >
	Relaismodus >
	Rel.ueberschr.>
	GMT Einstllg.
Masken	
	Maske laden
	Maske speichern
	Maske loeschen

Erklärung der Menüpunkte

Test Rufnr

Um den dreitäglichen EN81-28-Testanruf (Background-Testanruf) einzurichten, geben Sie die entsprechende Telefonnummer bitte hier ein.

Wenn Sie die Avire ETR-Software verwenden, wählen Sie bitte das Protokoll „Memco“.

Wahlerversuche

Die Anzahl der Versuche, die das C100 unternimmt, um eine bestimmte Telefonnummer zu erreichen (maximal 9 Versuche pro Nummer).

Die Voreinstellung ist „999999“. Jede Ziffer repräsentiert eine der sechs programmierten Telefonnummern.

Einstellungen

ID GeraeteNr.

Wenn Sie Memco GlobalNet zur Überwachung des Memcom+ nutzen, geben Sie bitte Folgendes ein:

[3-stellige Kundennummer] [Geräte-ID-Code]

Lautstärke

Drücken Sie den Auf- bzw. Abwärts Pfeil, bis die gewünschte Lautstärke erreicht ist. Drücken Sie #, um zu bestätigen.

Syst.Einst.

System Config - legt fest, wie das System arbeitet. Aktivieren bzw. Deaktivieren die benötigten Betriebsarten mit der Taste Untenstehend finden Sie eine vollständige Beschreibung der einzelnen Optionen:

Syst.Einst. >		
	dopp. Alarm	In dieser Einstellung ruft das Gerät alle einprogrammierten Alarm-Nummern nacheinander an.
	EN81-28 Modus	In dieser Einstellung werden keine eingehenden Anrufe akzeptiert, wenn sich das Gerät nicht im Alarm-Status befindet. Für die geräteferne Programmierung ist die Eingabe eines Pass-Codes erforderlich.
	fortl.WahlMod	Ändert die Anrufabfolge. Alle Anrufversuche für die erste Nummer werden vollständig abgearbeitet, bevor das Gerät die zweite Nummer anruft, usw.
	alternWahlton	Ermöglicht dem System, mit einem intermittierenden Wählton zu arbeiten.
	zaehlt rueckw.	Das Gerät gibt einen gesprochenen Countdown aus, bis der Notruf abgesetzt wird.
	Zugangscode?	Vor dem Zugriff auf das Menü Syst.Einst. ist die Eingabe eines Pass-Codes erforderlich.
	EOA pictogram	In dieser Einstellung leuchtet das Alarm-Piktogramm, solange sich das Gerät im Alarm-Status befindet.

Vollständige Programmierungsoptionen

Komplette Menüstruktur

Kurzanleitung >	
Tel.Nummer >	
	Notrufnr.1
	Notrufnr.2
	Notrufnr.3
	Notrufnr.4
	Techn.Nr.
	Test Rufnr
	Waelversuche
Einstellungen >	
	ID GeraeteNr.
	Lautstaerke
	Syst.Einst. >
	HW.Ueberwach. >
Verzoegerungen>	
	Verzoeg.i.Kab
	AS Verzoeg.
	Verz.Techn.
	Verz.Auflegen
	Annahme Verz.
	Verz. Wahlwdh.
	VAD Timeout
Text Ansagen >	
	Standort Text
	Beruhig.Text
	Menue Ansage
Zeit/Datum >	
	Zeit eingeb.
	Datum eingeb.
Erweitert >	
	Zugangscod
	Netzwerk IDNr
	Testanruf am
	FreqNebst.Anl
	Sprache >
	Relaismodus >
	Rel.ueberschr.>
	GMT Einstllg.
Masken	
	Maske laden
	Maske speichern
	Maske loeschen

Erklärung der Menüpunkte

Syst.Einst. >	Alarmton	In dieser Einstellung gibt der interne Lautsprecher des Geräts einen Alarmton aus, wenn der Alarmknopf gedrückt wird.
	Hotline	Verwenden Sie diese Einstellung bei der Schaltung als Hotline. In dieser Funktion schaltet das C100 automatisch zu einer anderen Endstelle der Telefonanlage des Gebäudes weiter.
	Auto.Standort.	Wenn ein Operator einen Notruf entgegennimmt, spielt das C100 automatisch die Standort-Meldung ab. HINWEIS: Für das Einprogrammieren der Alarmnummern muss das „UNGEFÜHRTE“ Protokoll verwendet werden (weitere Informationen finden Sie im Abschnitt über das Einprogrammieren von Alarmnummern).
	StilleVermeid.	Während eines Notrufs wird der Lautsprecher des C100 nicht stummgeschaltet, es sei denn, der Operator drückt an seinem Gerät die Taste „2“.
	Schnellwahl	Verringert die Dauer des Wählton-Erkennungstests von 7 auf 3 Sekunden – so wird ein Timeout der Amtsleitung nach 4 Sekunden verhindert.
	Schnell VAD	Mit dieser Funktion kann das C100 Sprache erkennen, noch bevor der erste Klingelimpuls gesendet wird.
	Waelhton notig	Mit dieser Funktion muss das C100 vor dem Wählen einen Wählton ermitteln.
	Nicht benutzt	Wenn die Telefonleitung zum Memcom+ unterbrochen ist, gibt das Gerät eine akustische Warnmeldung aus. Diese wird alle 3 Minuten wiederholt, bis die Telefonleitung wieder intakt ist.

Hardware-Überwach

Mit der Hardware-Überwachung wird festgelegt, welche System-Elemente beim Selbsttest und Testanruf überprüft werden. Die Voreinstellungen sind wie folgt:

HW.Ueberwach. >	
	Spannungsvers ✓
	Akku ✓
	Tel.Leitung ✓
	Lspr/Mikro ✓
	AS x
	GSM Status x

Vollständige Programmierungsoptionen

Komplette Menüstruktur

Kurzanleitung >	
Tel.Nummer >	
	Notrufnr.1
	Notrufnr.2
	Notrufnr.3
	Notrufnr.4
	Techn.Nr.
	Test Rufnr
	Waehlversuche
Einstellungen >	
	ID GeraeteNr.
	Lautstaerke
	Syst.Einst. >
	HW.Ueberwach. >
Verzoegerungen>	
	Verzoeg.i.Kab
	AS Verzoeg.
	Verz.Techn.
	Verz.Auflegen
	Annahme Verz.
	Verz. Wahlwdh.
	VAD Timeout
Text Ansagen >	
	Standort Text
	Beruhig.Text
	Menue Ansage
Zeit/Datum >	
	Zeit eingeb.
	Datum eingeb.
Erweitert >	
	Zugangscode
	Netzwerk IDNr
	Testanruf am
	FreqNebst.Anl
	Sprache >
	Relaismodus >
	Rel.ueberschr.>
	GMT Einstllg.
Masken	
	Maske laden
	Maske speichern
	Maske loeschen

Erklärung der Menüpunkte

Verzoegerungen

Mit dieser Funktion kann die Dauer der Verzögerung, bevor ein Anruf erfolgt, verändert werden.

Verzoeg.i.Kab – Zeitdauer (in Sekunden), die ein Alarmknopf am COP gedrückt werden muss, bevor ein Notruf erfolgt. Die Voreinstellung ist 3 Sekunden.

AS-Verzögerung – „LVAS“ bezieht sich auf die lokale Sprachalarmstation und fernalarmstation. Zeitdauer (in Sekunden), die ein ein Alarmknopf an einer MPS gedrückt werden muss, bevor ein Notruf erfolgt. Die Voreinstellung ist 3 Sekunden.

Verz.Techn. – Die Verzögerung zwischen dem Empfang eines Fehlersignals durch ein Dritthersteller-Gerät (über den technischen Eingang) und dem Abgang eines technischen Anrufs.

Verz.Auflegen – Die Zeit (in Minuten), bevor das C100 einen Anruf beendet (Sprechzeit).

Annahme Verz. – Die Anzahl der Klingelzeichen, bevor das C100 einen eingehenden Anruf annimmt. Wenn mehrere C100 an einer Telefonleitung betrieben werden, muss die Antwortverzögerung bei allen Geräten gleich eingestellt sein.

Verz. Wahlwdh – Stellt eine Verzögerung (in Sek.) ein, bevor das C100 weitere Nummern anwählt. Mit der Einstellung 0 (Voreinstellung) wird diese Funktion deaktiviert.

VAD Timeout – Stellt ein Timeout (in Sek.) ein. Erkennt das C100 in der voreingestellten Zeit keine Stimme in der Leitung, wird der Anruf automatisch beendet. Mit der Einstellung 0 (Voreinstellung) wird diese Funktion deaktiviert.

Text Ansagen

Text Ansagen >		
	Standort Text	Dies ist die einzige Ansage, die aufgenommen werden muss. Die Standort-Ansage wird für das Call-Center abgespielt, das den Notruf entgegennimmt, um sie über den Standort des Aufzugs zu informieren.
	Beruhig.Text	Diese Ansage wird für eingeschlossene Passagiere abgespielt, sobald ein Notruf abgesetzt wird.
	Menue Ansage	Wenn das „geführte“ Protokoll ausgewählt wurde, wird diese Ansage für den Call-Center-Operator abgespielt. Er kann auswählen, ob er zunächst die Standort-Ansage hören möchte oder sofort mit der Aufzugs-Fahrkabine verbunden werden will.

Zeit / Datum

Datum und Zeit können eingestellt werden indem man die Werte eingibt und dann bestätigt mit ✓.

Vollständige Programmierungsoptionen

Komplette Menüstruktur

Kurzanleitung >	
Tel.Nummer >	
	Notrufnr.1
	Notrufnr.2
	Notrufnr.3
	Notrufnr.4
	Techn.Nr.
	Test Rufnr
	Waelversuche
Einstellungen >	
	ID GeraeteNr.
	Lautstaerke
	Syst.Einst. >
	HW.UEBERWACH. >
Verzoegerungen>	
	Verzoeg.i.Kab
	AS Verzoeg.
	Verz.Techn.
	Verz.Auflegen
	Annahme Verz.
	Verz. Wahlwdh.
	VAD Timeout
Text Ansagen >	
	Standort Text
	Beruhig.Text
	Menue Ansage
Zeit/Datum >	
	Zeit eingeb.
	Datum eingeb.
Erweitert >	
	Zugangscode
	Netzwerk IDNr
	Testanruf am
	FreqNebst.Anl
	Sprache >
	Relaismodus >
	Rel.ueberschr.>
	GMT Einstllg.
Masken	
	Maske laden
	Maske speichern
	Maske loeschen

Erklärung der Menüpunkte

Erweitert

Zugangscode

Wenn der EN81-28-Modus aktiv ist, müssen Sie den erforderlichen Pass-Code (bis zu 6 Zeichen) eingeben, um ins Standard-Programmier-Menü zu gelangen. Dieser wird dann auch zum Pass-Code für den Zugang zur alten Menü-Struktur. Vom Ruhebildschirm aus müssen Sie * PASSCODE # eingeben.

Netzwerk IDNr

Geben Sie eine Nebenstellen-Nummer (1-8) ein, wenn mehrere Geräte an einer Telefonleitung betrieben werden. Alle Geräte-IDs innerhalb eines Systems müssen eindeutig sein.

Testanruf am

Details zum nächsten planmäßigen Background-Anruf des Geräts.

FreqNebst.Anl

Hier kann die Trenn-Frequenz (40-2000Hz in 40Hz-Schritten) eingestellt werden, wenn das Gerät an einer Telefonanlage betrieben wird, die nicht mit den Standardtönen arbeitet.

Sprache

Wählen Sie die erforderliche Sprache aus.

Relais Modus

Das Relais kann verwendet werden, um die Stromversorgung zu einem externen Gerät , wie z.B. Sirene, Türschliesser herzustellen.

Relaismodus >

Hupe	×	Die Relais-Kontakte schließen sich , wenn der Alarmknopf aktiviert wird und öffnen sich wieder nach der Alarmknopf-Verzögerung. Wird üblicherweise zur Schaltung der Sirene der Aufzugskabine eingesetzt.
Tuere NO/Comm	×	Türfreigabe-Modus, Freigabe auf Steuerbefehl, Relais-Voreinstellung ist N/O: Türfreigabe erfolgt nur dann, wenn der Operator während des ersten Notrufs oder jedes Folge-Notrufs an seinem Gerät die Taste „8“ drückt. Die Freigabe bleibt bis zum Ende des Anrufs aktiv.
Tuere NC/Comm	×	Türfreigabe-Modus, Freigabe auf Steuerbefehl, Relais-Voreinstellung ist N/C: Türfreigabe erfolgt nur dann, wenn der Operator während des ersten Notrufs oder jedes Folge-Notrufs an seinem Gerät die Taste „8“ drückt. Die Freigabe bleibt bis zum Ende des Anrufs aktiv.
Tuere NO/Alarm	×	Türfreigabe-Modus, Freigabe bei Druck auf den Alarmknopf, Relais-Voreinstellung ist N/O: Türfreigabe wird aktiviert, sobald das Alarm-Piktogramm leuchtet. Die Freigabe bleibt bis zum Empfang des Alarmende-Signals aktiv.
Tuere NC/Alarm	×	Türfreigabe-Modus, Freigabe bei Druck auf den Alarmknopf, Relais-Voreinstellung ist N/C: Türfreigabe wird aktiviert, sobald das Alarm-Piktogramm leuchtet. Die Freigabe bleibt bis zum Empfang des Alarmende-Signals aktiv.
Fehler Tel.Ltg	×	Die Relais-Kontakte sind in Ruhe geschlossen und öffnen sich, sobald ein PSTN-Leitungsfehler erkannt wird. Sobald der Fehler behoben ist, schließen sich die Kontakte wieder.

Vollständige Programmierungsoptionen

Komplette Menüstruktur

Kurzanleitung >	
Tel.Nummer >	
	Notrufnr.1
	Notrufnr.2
	Notrufnr.3
	Notrufnr.4
	Techn.Nr.
	Test Rufnr
	Waelerversuche
Einstellungen >	
	ID GeraeteNr.
	Lautstaerke
	Syst.Einst. >
	HW.UEBERWACH. >
Verzoegerungen>	
	Verzoeg.i.Kab
	AS Verzoeg.
	Verz.Techn.
	Verz.Auflegen
	Annahme Verz.
	Verz. Wahlwdh.
	VAD Timeout
Text Ansagen >	
	Standort Text
	Beruhig.Text
	Menue Ansage
Zeit/Datum >	
	Zeit eingeb.
	Datum eingeb.
Erweitert >	
	Zugangscode
	Netzwerk IDNr
	Testanruf am
	FreqNebst.Anl
	Sprache >
	Relaismodus >
	Rel.ueberschr.>
	GMT Einstllg.
Masken	
	Maske laden
	Maske speichern
	Maske loeschen

Erklärung der Menüpunkte

Relais Modus fortgesetzt

Techn.Fehler	✘	Technischer Fehler-Modus – Die Relais-Kontakte sind in Ruhe geschlossen und öffnen sich, sobald das Memcom+ einen technischen Fehler erkennt. Sobald der Fehler behoben ist, schließen sich die Kontakte wieder.
Notlicht	✘	Notlicht-Modus – Die Relais-Kontakte sind in Ruhe geöffnet und schließen sich bei Verlust der externen Stromversorgung innerhalb 1 Sekunde. So kann das Relais bei einem Stromausfall zur Schaltung der Notstrom-Versorgung für die Notbeleuchtung genutzt werden. Sobald die externe Stromversorgung wieder funktioniert, öffnen sich die Relais-Kontakte wieder.
Grün Pikto.	✘	Wenn ein doppelt beleuchteter Alarmknopf an die Relais-Kontakte angeschlossen ist: Sobald das Call-Center den Notruf entgegennimmt, schließt sich der Relais-Kontakt und löst die Beleuchtung des Alarmknopfs aus. Der Alarmknopf leuchtet, bis das Call-Center an den Anruf beendet.
Beide Pikto.	✓	Wenn ein doppelt beleuchteter Alarmknopf an die Relais-Kontakte angeschlossen ist: Sobald der Alarmknopf gedrückt wird, schließt sich der Relais-Kontakt und löst die Beleuchtung des Alarmknopfs aus. Der Alarmknopf leuchtet, bis das Call-Center an den Anruf beendet.

Rel.ueberschr.>

Rel.ueberschr.>	
AUS	Das Relais schaltet wie im Menü Relais-Modus eingestellt
Offen	Die Relais-Kontakte bleiben geöffnet, bis der Relais-Override wieder geändert wird.
Geschlossen	Die Relais-Kontakte bleiben geschlossen, bis der Relais-Override wieder geändert wird.

GSM-Offset

Muss am Gerät nicht aktualisiert werden. Nur zur Referenz.

Nur verwenden, wenn vom Avire Technik-Support angewiesen.

Masken

Die jeweilige Auswahl des C100 Programmier-Tools (C100 PT) kann als Vorlage gespeichert werden, um eine „Ein-Klick-Programmierung“ zu ermöglichen.

Mit dem C100 PT können bis zu acht verschiedene Voreinstellungen gespeichert werden.

Maske Laden

1. Eine Programmiervoreinstellung ins C100 laden
2. Wählen Sie die gewünschte Voreinstellung aus der Liste und drücken Sie ✓.
3. Im Bestätigungsbildschirm drücken Sie ✓, um die Voreinstellung zu laden und ✘, um abzubreaken.
4. Wenn keine Voreinstellungen im C100 PT gespeichert sind, ist die Liste leer.

Vollständige Programmierungsoptionen

Komplette Menüstruktur

Erweitert >	Zugangscode
	Netzwerk IDNr
	Testanruf am
	FreqNebst.Anl
	Sprache >
	Relaismodus >
	Rel.ueberschr.>
	GMT Einstllg.
Masken	
	Maske laden
	Maske speichern
	Maske loeschen

Erklärung der Menüpunkte

Maske Speichern

1. Aktuelle Programmierungsauswahl des C100 PT als Voreinstellung speichern:
2. Wählen Sie (NEW TMEPLATE) und drücken Sie ✓
3. Im Bestätigungsbildschirm drücken Sie ✓, um die Voreinstellung zu laden und ✕, um abzuberechnen.
4. Das C100 PT vergibt automatisch einen Namen für die Voreinstellung (beginnend mit 'TEMPLATE 1').
5. Überschreiben einer vorhandenen Voreinstellung mit der aktuellen Programmierungsauswahl des C100 PT:
6. Wählen Sie die Voreinstellung, die Sie überschreiben möchten, aus der Liste und drücken Sie ✓.
7. Im Bestätigungsbildschirm drücken Sie ✓, um die Voreinstellung zu laden und ✕, um abzuberechnen.

Maske Loeschen

1. Löschen einer Voreinstellung im C100 PT:
2. Wählen Sie die gewünschte Voreinstellung aus der Liste und drücken Sie ✓.
3. Wenn keine Voreinstellungen im C100 PT gespeichert sind, ist die Liste leer.
4. Im Bestätigungsbildschirm drücken Sie, um die Voreinstellung zu laden und ✕, um abzuberechnen.



Memco® C100

Modelos para empotrar FM1, FM2 & FM3

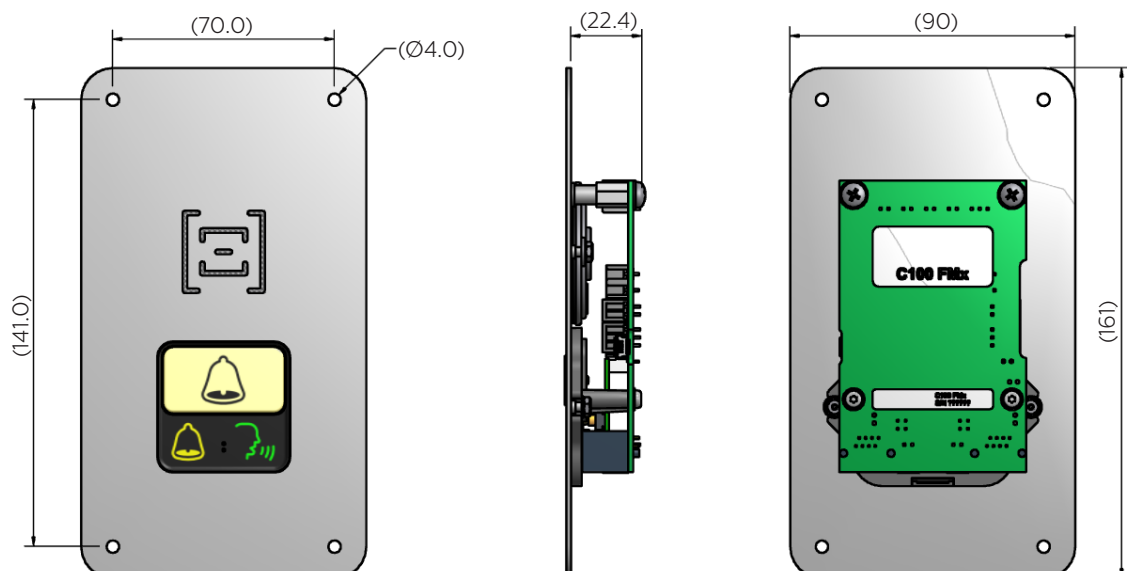
Guía de instalación

Ref No. C100 852 (E) Version 4

El Memco C100 es un sistema de telefonía de emergencia para la cabina del ascensor. Ha sido diseñado para ofrecer una instalación sencilla y rápida en la cabina y es además el primer teléfono de emergencia que se puede programar con tan solo pulsar un botón, haciendo el proceso de programación más rápido y fácil que nunca.

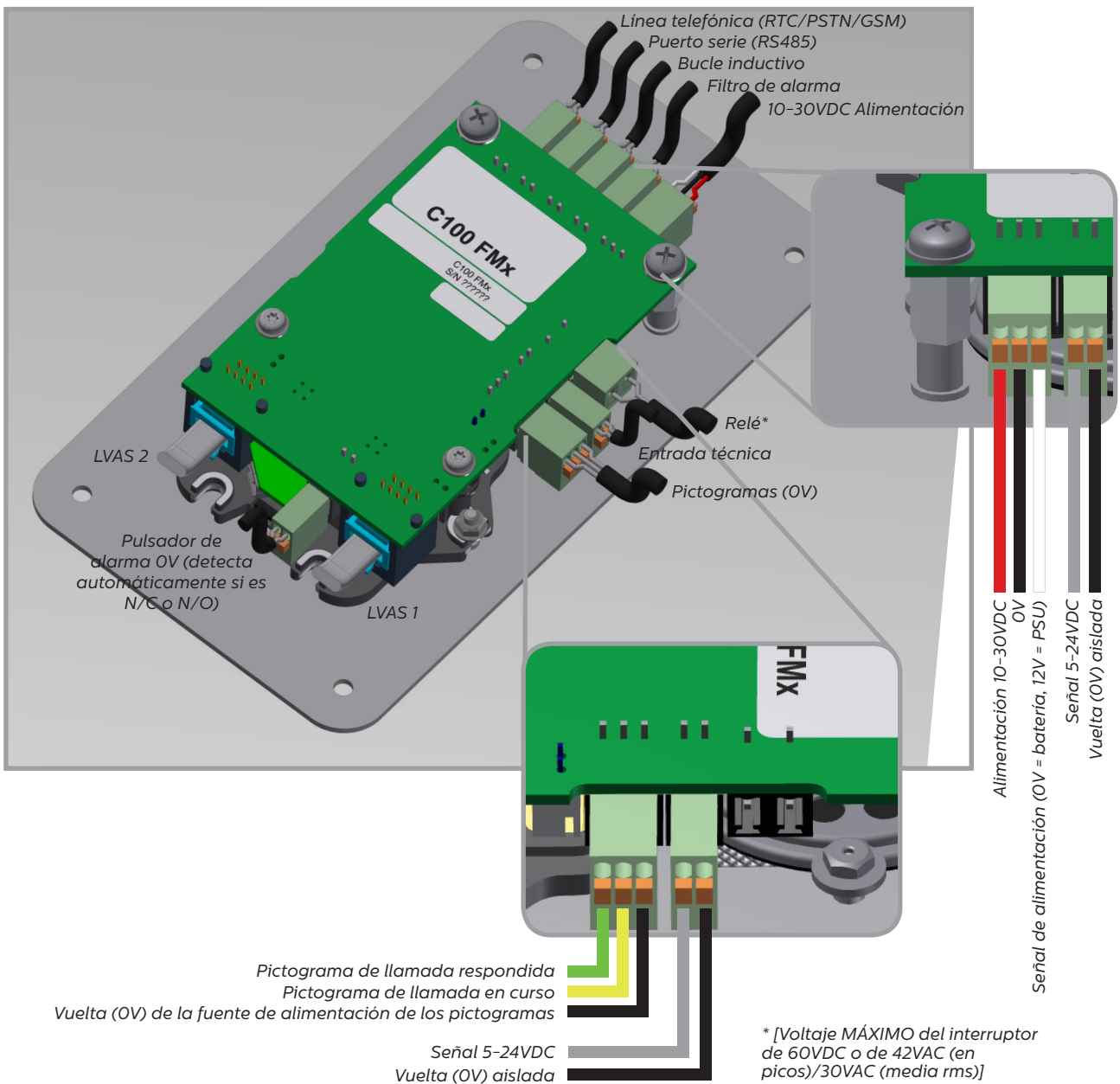


Dimensiones (mm)



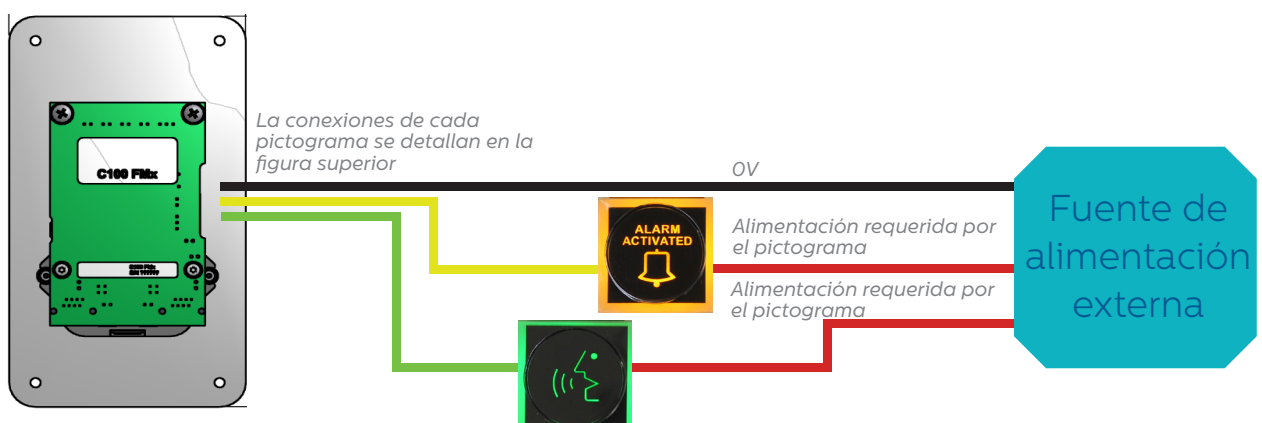
Conexiones a la unidad principal

Por favor observe debajo todas las conexiones disponibles en la unidad C100 FM. Todas las conexiones que tienen una polaridad en particular o que requieren conexiones específicas con el conector adecuado están explicadas en las distintas áreas ampliadas.



Si desea conectar pictogramas externos y/o un pulsador de alarma retroiluminado

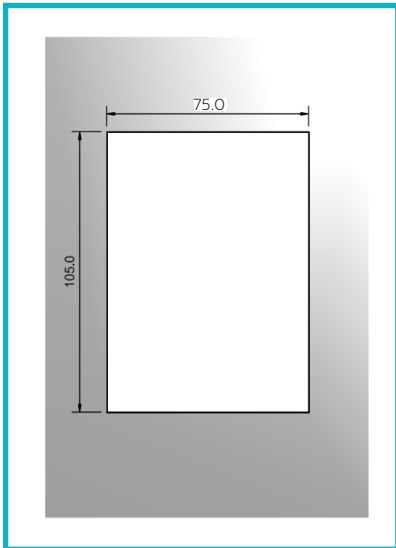
Mientras los pictogramas externos estén alimentados por una fuente de alimentación independiente, el C100 puede controlar su funcionamiento. Dichos pictogramas deberán conectarse como se muestra debajo:



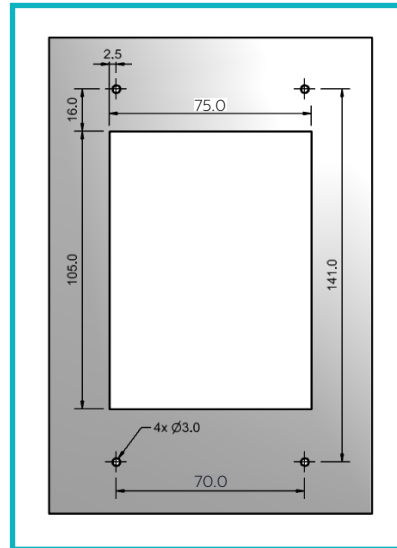
Fijación de la unidad en la cabina

Siga los sencillos pasos descritos debajo para instalar el C100 FM en la pared de la cabina.

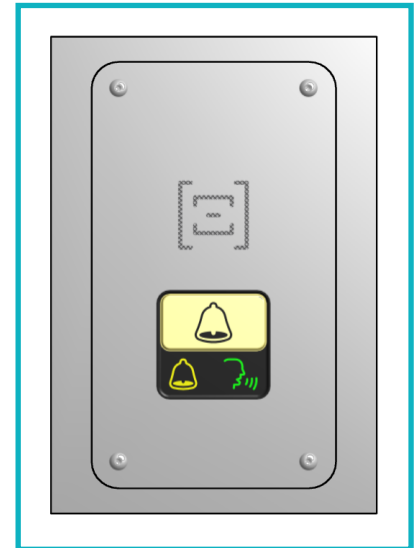
1. Corte la botonera o el paño para que entre la PCB del teléfono.



2. Realice los agujeros de fijación



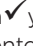
3. Fije la unidad con los cuatro tornillos suministrados



Opciones de programación

- + Programación pulsando un botón (Unidad de programación)
- + Programación a través del menú de programación (Unidad de programación)
- + Programación en remoto a través de un teléfono de tonos o con el software ETR

Programación pulsando un botón

1. Conecte la unidad de programación en la unidad C100.
2. Si la unidad de programación ya tiene una plantilla de programación configurada, le aparecerá el mensaje "¿Programación con un clic?"
3. Pulse el botón  y la programación se descargará a la unidad C100 automáticamente.

Si necesita grabar un mensaje de localización en la unidad, pulse 1 para entrar en el modo de programación y navegue por el menú hasta Mensajes>Localización. Siga las instrucciones mostradas en pantalla.

La programación ya se ha completado. Continúe por los siguientes apartados de la guía solo si necesitara algún ajuste de programación avanzado.



Controles de programación y menú completo

Si no puede o no desea utilizar la función de programación pulsando un solo botón, puede realizar la programación utilizando los menús desplegables. A continuación se describen los controles del menú y el menú de inicio rápido:

Controles del menú



Subir en el menú



Bajar en el menú



Siguiente / Aceptar



Anterior / Cancelar

Menú de inicio rápido

- | | |
|--------------------------|---|
| 1. Núm alarma 1a | <ul style="list-style-type: none"> + Utilizando el teclado, introduzca el primer número de teléfono de emergencia al que quiere que llame al pulsar el botón de alarma. Si se trata de una línea directa, introduzca únicamente un 0 (cero). + Elija de la lista el protocolo que quiere usar; se incluyen Con guía, Sin guía, Memco, P100 y Contact ID. Si se trata de una línea directa (es decir, la comunicación es directa sin marcar ningún número), habrá de activar la casilla "línea directa" en Ajustes>Config sistema>Línea directa. |
| 2. Núm AlarmaTéc | <ul style="list-style-type: none"> + Utilizando el teclado, introduzca el número de teléfono donde está conectado el software para gestionar las llamadas técnicas. + Seleccione el protocolo requerido de la lista. + La unidad le preguntará si desea usar el mismo número para las llamadas de test, pulse ✓ para aceptar o ✗ para rechazar. |
| 3. NúmTfn de test | <ul style="list-style-type: none"> + Si ha elegido copiar el número usado para las alarmas técnicas, puede saltarse este paso. + Si no, introduzca el número solicitado para las llamadas periódicas de test. + Seleccione el protocolo requerido de la lista. |
| 4. Volumen | <ul style="list-style-type: none"> + Si desea un volumen diferente al ofrecido por defecto, pulse las flechas arriba y abajo hasta alcanzar el volumen deseado. + Pulse ✓ para confirmar. |
| 5. Localización | <ul style="list-style-type: none"> + Para grabar el mensaje de localización, pulse 2 para empezar la grabación. + Pulse ✓ para terminar la grabación. + Puede pulsar 1 para escuchar el mensaje que ha grabado. |
| 6. Identificador | <ul style="list-style-type: none"> + Solo es necesario si utiliza GlobalNet para monitorizar la unidad C100. + De ser así, añada sus 3 dígitos de cliente GlobalNet al identificador de la unidad, que está escrito en la parte inferior de la unidad. Por ejemplo, 109 463768 |
| 7. ID extensión | <ul style="list-style-type: none"> + Si está instalando más de un C100 en una sola línea telefónica, necesita asignar a cada unidad un identificador de red único (extensión) + La primera unidad tendrá el identificador 1, la segunda el 2, la tercera el 3, y así sucesivamente. |

Para salir del modo programación pulse ✗ dos veces y elija de la lista la acción que desea que se realice al salir.

Salir sin llam

Salir+LlamTéc

Salir+LlamTest

Estructura completa del menú

Estado OK
1: Programación

Si va a reprogramar una unidad, se encontrará con la pantalla en reposo como en la imagen adjunta. Pulse 1 para entrar en el menú de programación y acceder a todas las opciones. Tan solo se le requerirá una contraseña si antes la ha introducido al elegir el Modo EN81-28.

Inicio rápido >	
Números de tfn>	
	Núm alarma 1a
	Núm alarma 2a
	Núm alarma 3a
	Núm alarma 4a
	Núm AlarmaTéc
	NúmTfn de test
	Núm d intntos
Ajustes >	
	Identificador
	Volumen
	Config sistema>
	Monit. Hrdwre >
Retardos >	
	Retardo cab.
	Retardo AS
	Retardo técn
	Retrdo colgar
	Retardo resp
	Tiempo rellama
	Tiempo no voz
Mensajes >	
	Localización
	Mens. de calma
	Guía a tfnista
Hora/Fecha >	
	Hora
	Fecha
Avanzado >	
	Código acceso
	ID extensión
	Próx.test EN81
	Frecuencia PBX
	Idioma >
	Modo del relé >
	Control relé >
	Incremento GMT
Plantillas	
	Carga plantilla
	Salva plantilla
	Borra plantilla

Todas las secciones del menú, paso a paso...

Inicio rápido

El menú de inicio rápido son siete opciones del menú que se requieren para un ajuste rápido. Por favor, consulte la página anterior de esta guía para más información.

Números de tfn

N.º de alarma

Se pueden programar hasta cuatro números telefónicos de alarma en la unidad C100.

Usando el teclado, teclee el primer número de teléfono de alarma.

Cuando use una Línea directa, escriba 0 como número telefónico.

Seleccione un protocolo requerido de esta lista:

Protoc guiado	La unidad reproducirá un Mensaje de guía (vea la página) al centro de llamadas al responder a una llamada de alarma.
Protoc no guia	No se reproduce ningún mensaje cuando se responde una llamada de alarma. NOTA: Si se ha seleccionado Localización automática en "Config+ de sistema", el mensaje de localización se reproducirá AUTOMÁTICAMENTE al comienzo de la llamada.
Memco	Protocolo requerido cuando se reciben llamadas de prueba con ETR o GlobalNet
P100	Protocolo requerido cuando se reciben llamadas de prueba con el software del receptor P100.
Contact ID	Protocolo requerido cuando se reciben llamadas de prueba con el software del receptor "Contact ID".

Seleccione el protocolo preferido y pulse ✓ para confirmar.

Nota: Para conectar con una PBX/PABX, inserte el número requerido para obtener una línea de salida, seguido de un espacio (*), seguido del número de teléfono, por ejemplo, 9*01344854000

Si se requieren más números de alarma, repita este proceso para la Alarma N.º 2, la Alarma N.º 3, etc.

Número de Alarma técnica

C100 puede realizar llamadas de alerta Técnica como señalización de fallos del sistema.

Una alerta Técnica es un evento no programado, como por ejemplo, una entrada técnica o de batería baja.

Todos los demás diagnósticos son verificados durante la llamada de test programada (ver debajo). De forma predeterminada, se llama a este número la cantidad de veces indicadas por el 5.º dígito en la pantalla de Intentos de llamada (ver Intentos de llamada a continuación) antes de esperar la próxima alarma técnica.

Si usa el software ETR de Avire, seleccione el protocolo 'Memco'.

Número de alarma test

Para configurar la llamada cíclica de tres días EN81-28 (llamada de test) programe el número telefónico requerido aquí.

Núm d intntos

El número de intentos que realizará C100 para contactar a cada número telefónico (son 9 intentos como máximo por número).

El número predeterminado es '999999'. Cada dígito identifica uno de los seis números telefónicos programados.

Todas las opciones de programación

Estructura completa del menú

Inicio rápido >	
Números de tfn>	
	Núm alarma 1a
	Núm alarma 2a
	Núm alarma 3a
	Núm alarma 4a
	Núm AlarmaTéc
	NúmTfn de test
	Núm d intntos
Ajustes >	
	Identificador
	Volumen
	Config sistema>
	Monit. Hrdwre >
Retardos >	
	Retardo cab.
	Retardo AS
	Retardo técn
	Retrdo colgar
	Retardo resp
	Tiempo rellama
	Tiempo no voz
Mensajes >	
	Localización
	Mens. de calma
	Guía a tfnista
Hora/Fecha >	
	Hora
	Fecha
Avanzado >	
	Código acceso
	ID extensión
	Próx.test EN81
	Frecuencia PBX
	Idioma >
	Modo del relé >
	Control relé >
	Incremento GMT
Plantillas	
	Carga plantilla
	Salva plantilla
	Borra plantilla

Secciones del menú continuación...

Ajustes

Identificador

Si usa Memco GlobalNet para monitorizar la unidad C100, ingrese los siguientes datos:

[Número de cliente de 3 dígitos][Código de identificación de unidad]

Volumen

Pulse las flechas arriba y abajo para ajustar el volumen y pulse ✓ para confirmar.

Configuración del sistema

Config sistema– ajusta como va a funcionar el sistema. Active o desactive qué opciones de funcionamiento desea con la tecla ✓. A continuación dispone de la explicación de cada opción:

Config sistema>		
	Multi-llamada	Configura la unidad para llamar a cada uno de los números de alarma programados uno tras otro.
	Modo EN81-28	Impide que la unidad acepte llamadas entrantes cuando no se encuentra en estado de alarma y requiere un código de acceso para ingresar a la programación remota.
	Marc consecut	Cambia la secuencia de marcación. Hace todos los intentos de llamada al primer número se completan antes de que la unidad intente llamar al segundo número y así sucesivamente.
	Otro tono marc	Permite que el sistema utilice un tono de marcación intermitente.
	Oír cta atras	La unidad ofrece una cuenta atrás hasta que se establece la llamada de emergencia.
	Código acceso?	Establecer que se requiera un código de acceso antes de ingresar al menú de "Configuración del sistema".
	LED FinDeAlarma	Establece que el sistema mantenga encendido el pictograma de alarma mientras la unidad se encuentra en estado de alarma.
	Tono de alarma	Establece que la unidad emita un tono desde el altavoz interno cuando se presiona el pulsador de alarma.
	Linea directa	Usar si se configura como línea directa. La línea directa se establece cuando el C100 se conecta automáticamente dentro de la central telefónica del edificio.
	Localiz.autom	<p>Cuando un operador responde a una llamada de alarma, C100 reproducirá automáticamente el mensaje de localización.</p> <p>NOTA: Durante la programación de los números de alarma, se debe seleccionar el protocolo "SIN GUÍA" (ver la sección de Números de alarma para obtener más detalles).</p>
	Evita silencio	Durante una llamada de alarma, el C100 no silenciará su altavoz, a menos que el operador pulse la tecla "2" en su auricular.

Todas las opciones de programación

Estructura completa del menú

Inicio rápido >	
Números de tfn>	
	Núm alarma 1a
	Núm alarma 2a
	Núm alarma 3a
	Núm alarma 4a
	Núm AlarmaTéc
	NúmTfn de test
	Núm d intntos
Ajustes >	
	Identificador
	Volumen
	Config sistema>
	Monit. Hrdwre >
Retardos >	
	Retardo cab.
	Retardo AS
	Retardo técn
	Retrdo colgar
	Retardo resp
	Tiempo rellama
	Tiempo no voz
Mensajes >	
	Localización
	Mens. de calma
	Guía a tfnista
Hora/Fecha >	
	Hora
	Fecha
Avanzado >	
	Código acceso
	ID extensión
	Próx.test EN81
	Frecuencia PBX
	Idioma >
	Modo del relé >
	Control relé >
	Incremento GMT
Plantillas	
	Carga plantilla
	Salva plantilla
	Borra plantilla

Secciones del menú continuación...

Marc. rápida	Reduce la prueba de detección de tono de marcación de 7 segundos a 3 segundos - Previene problemas de desconexión de las centrales después de 4 segundos.
Deteccion voz	Permite que C100 detecte la llamada en curso antes de enviar el primer pulso de señal de llamada por la línea.
Requiere tono	Requiere que el C100 detecte un tono de marcación antes de intentar la marcación.
No usar	-

Monitorización de hardware

La monitorización de hardware determina qué elementos del sistema se verifican cuando la unidad completa su autoverificación y establece una llamada de prueba. A continuación se muestran los parámetros predeterminados:

Monit. Hrdwre >		
	Alimentación	✓
	Batería	✓
	Línea técnica	✓
	Altavoz/Micro	✓
	AS	x
	Estado de GSM	x

Retardos

Se pueden determinar retardos para alterar la duración del atraso requerido antes de que la unidad establezca una llamada.

Retardo cab. - Cuánto tiempo (en segundos) tienen que ser pulsados el pulsador de alarma antes de que se establezca una llamada de emergencia. El parámetro predeterminado es de 3 segundos.

Retardo AS - 'LVA's' se refiere a los accesorios del Sistema de alarma de voz local. Cuánto tiempo (en segundos) cada uno de los pulsadores de alarma, en las unidades MPS, tienen que ser pulsados antes de que se establezca una llamada de emergencia. El parámetro predeterminado es de 3 segundos.

Retardo técn - El retardo requerido antes de establecer una llamada técnica, al recibir una señal de fallo de un dispositivo conectado de terceros que use la Entrada técnica.

Retrdo colgar - Determina el tiempo (en minutos) antes de que el C100 cuelgue una llamada (tiempo de llamada).

Retardo resp - El número de pulsos de señal que C100 debe detectar antes de responder las llamadas entrantes. Cuando hay más de una unidad C100 instalada compartiendo línea, todas tienen que tener configurada el mismo retardo en responder.

Tiempo rellama - Establece una demora (en segundos) entre el C100 al llamar a distintos números. La configuración en 0 (la configuración predeterminada) desactivará esta función.

Todas las opciones de programación

Estructura completa del menú

Inicio rápido >	
Números de tfn>	
	Núm alarma 1a
	Núm alarma 2a
	Núm alarma 3a
	Núm alarma 4a
	Núm AlarmaTéc
	NúmTfn de test
	Núm d intntos
Ajustes >	
	Identificador
	Volumen
	Config sistema>
	MONIT. HRDWRE >
Retardos >	
	Retardo cab.
	Retardo AS
	Retardo técn
	Retrdo colgar
	Retardo resp
	Tiempo rellama
	Tiempo no voz
Mensajes >	
	Localización
	Mens. de calma
	Guía a tfnista
Hora/Fecha >	
	Hora
	Fecha
Avanzado >	
	Código acceso
	ID extensión
	Próx.test EN81
	Frecuencia PBX
	Idioma >
	Modo del relé >
	Control relé >
	Incremento GMT
Plantillas	
	Carga plantilla
	Salva plantilla
	Borra plantilla

Secciones del menú continuación...

Tiempo no voz – Establece una interrupción (en segundos) en por medio de la cual si el C100 no detecta una voz en la línea, finaliza la llamada automáticamente. La configuración en 0 (la configuración predeterminada) desactivará esta función.

Mensajes

Mensajes >	
Localización	Este es el único mensaje que se necesita grabar. Se reproduce el mensaje de localización al centro de llamadas que recibe la llamada de alarma para informarle la localización del ascensor.
Mens. de calma	Mensaje que se reproduce para los pasajeros que quedan atrapados en el ascensor, mientras se establece la llamada de alarma.
Guía a tfnista	Si se ha seleccionado el protocolo "Guiado", este mensaje será reproducido para la operadora del centro de llamadas con el fin de pedirle que seleccione entre escuchar el mensaje de Localización o conectarse inmediatamente con la cabina del ascensor.

Hora/Fecha

Introduzca los valores de hora y fecha. Se confirman pulsando ✓.

Avanzados

Código acceso

Teclear el código de acceso requerido para entrar en el modo de programación estándar cuando esté activo el modo EN81-28. (Hasta 6 dígitos). Esto servirá también como el código de acceso requerido para acceder a la estructura de menú antiguo. Sin embargo, desde la pantalla en reposo tendrá que pulsar * CÓDIGO DE ACCESO #.

ID extensión

Establezca un número de extensión de 1 a 8 cuando las unidades compartan una línea telefónica. Todas las Identidades de la unidad de un sistema deben ser únicas.

Próx.test EN81

Detalla la próxima llamada de test que se haya programado en la unidad.

Frecuencia PBX

Establece la frecuencia de tono desconectado (40-2000Hz en etapas de 40Hz), si se conecta a una PBX que no usa tonos estándar.

Idioma

Determinar el idioma requerido.

Todas las opciones de programación

Estructura completa del menú

Inicio rápido >	
Números de tfn>	
	Núm alarma 1a
	Núm alarma 2a
	Núm alarma 3a
	Núm alarma 4a
	Núm AlarmaTéc
	NúmTfn de test
	Núm d intntos
Ajustes >	
	Identficador
	Volumen
	Config sistema>
	MONIT. HRDWRE >
Retardos >	
	Retardo cab.
	Retardo AS
	Retardo técn
	Retrdo colgar
	Retardo resp
	Tiempo rellama
	Tiempo no voz
Mensajes >	
	Localización
	Mens. de calma
	Guía a tfnista
Hora/Fecha >	
	Hora
	Fecha
Avanzado >	
	Código acceso
	ID extensión
	Próx.test EN81
	Frecuencia PBX
	Idioma >
	Modo del relé >
	Control relé >
	Incremento GMT
Plantillas	
	Carga plantilla
	Salva plantilla
	Borra plantilla

Secciones del menú continuación...

Modo del relé

El contacto del relé en una unidad Memcom+ se puede usar para cambiar el suministro de energía a un dispositivo externo. Están disponibles los siguientes modos:

Modo del relé >			
	Sirena	✘	Los contactos del relé se cierran cuando se activa el Pulsador de alarma y se abren nuevamente después del retardo del pulsador de alarma. Se usa típicamente para accionar una sirena en la cabina del ascensor.
	Puerta -NO/CMD	✘	Modo de liberación de puerta, liberación a pedido, estado predeterminado del relé N/O: La liberación de la puerta se activa sólo si el operador pulsa la tecla "8" en el auricular durante la llamada de alarma inicial o en cualquiera de las llamadas de seguimiento. La liberación permanecerá activa hasta que finalice la llamada.
	Puerta -NC/CMD	✘	Modo de liberación de puerta, liberación a pedido, estado predeterminado del relé N/C: La liberación de la puerta se activa sólo si el operador pulsa la tecla "8" en el auricular durante la llamada de alarma inicial o en cualquiera de las llamadas de seguimiento. La liberación permanecerá activa hasta que finalice la llamada..
	Puerta -NO/ALM	✘	Modo de liberación de puerta, liberación por pulsación de alarma, estado predeterminado del relé N/O: La liberación de la puerta se activa apenas se enciende el Pictograma de alarma y permanece activa hasta que se recibe la señal de Finalización de alarma.
	Puerta -NC/ALM	✘	Modo de liberación de puerta, liberación por pulsación de alarma, estado predeterminado del relé N/C: La liberación de la puerta se activa apenas se enciende el Pictograma de alarma y permanece activa hasta que se recibe la señal de Fin de alarma.
	Fallo RTC-PSTN	✘	Los contactos del relé se cierran de manera predeterminada y se abren en cualquier momento que se detecte un fallo de línea de la PSTN. Cuando se resuelve el error, los contactos vuelven al estado predeterminado de cerrado.
	Fallo técnico	✘	Modo de fallo técnico - Los contactos del relé pasan a estado cerrado de manera predeterminada, abriéndose en cualquier momento en que el Memcom+ detecte cualquier fallo técnico. Una vez resuelta el error, los contactos se vuelven a cerrar.
	Luz emergencia	✘	Modo de iluminación de emergencia - Los contactos del relé pasan a estado abierto de manera predeterminada, cerrándose en el lapso de 1 segundo a partir de una pérdida de suministro externo de energía. Esto permite usar el relé para conmutar la energía de reserva al hardware de iluminación de emergencia durante una falla en el suministro externo de energía. Una vez recuperado el suministro externo de energía, los contactos del relé se vuelven a abrir.
	Picto. verde	✘	Si se ha conectado un pulsador de alarma de iluminación dual con los contactos del relevador: Cuando el centro de llamadas responde una llamada de alarma, el contacto del relé se cerrará y disparará la iluminación en el pulsador de la alarma. El pulsador de la alarma permanecerá encendido hasta que el centro de llamadas finalice la llamada.
	Ambos picto.	✓	Si se ha conectado un pulsador de alarma de iluminación dual con los contactos del relé: Cuando se pulsa el botón de alarma, el contacto del relé se cerrará disparando la iluminación en el pulsador de alarma. El pulsador de alarma permanecerá encendido hasta que el centro de llamadas finalice la llamada.

Todas las opciones de programación

Estructura completa del menú

Avanzado >	Código acceso
	ID extensión
	Próx.test EN81
	Frecuencia PBX
	Idioma >
	Modo del relé >
	Control relé >
	Incremento GMT
Plantillas	
	Carga plantilla
	Salva plantilla
	Borra plantilla

Secciones del menú continuación...

Control relé

Control relé >	
Ninguno	El relé cambiará conforme a la configuración del Modo relé.
Abierto	Los contactos del relé se mantendrán en estado abierto hasta que se vuelva a cambiar la desactivación del relé.
Cerrado	The relay contacts will be held in the closed state until Relay Override is changed again.

Compensación GSM

No se necesitará actualizar en la unidad. Sólo de referencia.

Plantillas

La selección de programación actual de la Herramienta de Programación de C100 (C100 PT) puede ser guardada como una plantilla para ofrecer 'Programación de un solo toque'.

Se pueden guardar hasta ocho plantillas de programación en el C100 PT.

Cargar plantilla

1. Cargar una plantilla de programación en el teléfono C100:
2. Seleccione la plantilla de programación requerida de la lista y pulse ü
3. En la pantalla de confirmación pulse ü para cargar la plantilla o pulse ú para cancelar
4. Si no se guarda ninguna plantilla en el C100 PT, la lista quedará en blanco

Salva plantilla

1. Guarde la selección de programación actual en el C100 PT como plantilla:
2. Seleccione (NEW TMEPLATE) y pulse ü
3. En la pantalla de confirmación pulse ü para cargar la plantilla o pulse ú para cancelar
4. El C100 PT nombrará automáticamente la plantilla (comenzando con 'TEMPLATE 1').
1. Sobreescriba una plantilla existente con la selección de programación actual en el C100 PT:
2. Seleccione de la lista la plantilla que desea sobreescribir y pulse ü
3. En la pantalla de confirmación pulse ü para cargar la plantilla o pulse ú para cancelar

Borrar plantilla

1. Borre una plantilla del C100 PT:
2. Seleccione la plantilla de programación requerida de la lista y pulse ü
3. Si no se guarda ninguna plantilla en el C100 PT, la lista quedará en blanco
4. En la pantalla de confirmación pulse ü para cargar la plantilla o pulse ú para cancelar

AVIRE

Memco is a brand of Avire

Avire Ltd

C/Castillo de Fuensaldaña, 4-of.127
Edificio Rozas Nova
28232 Las Rozas, Madrid,
ESPAÑA

T: +34 91 636 35 02
F: +34 91 637 39 06
E: sales.es@avire-global.com
W: www.avire-global.com



Memco® C100

version à encatrer 1, 2 & 3

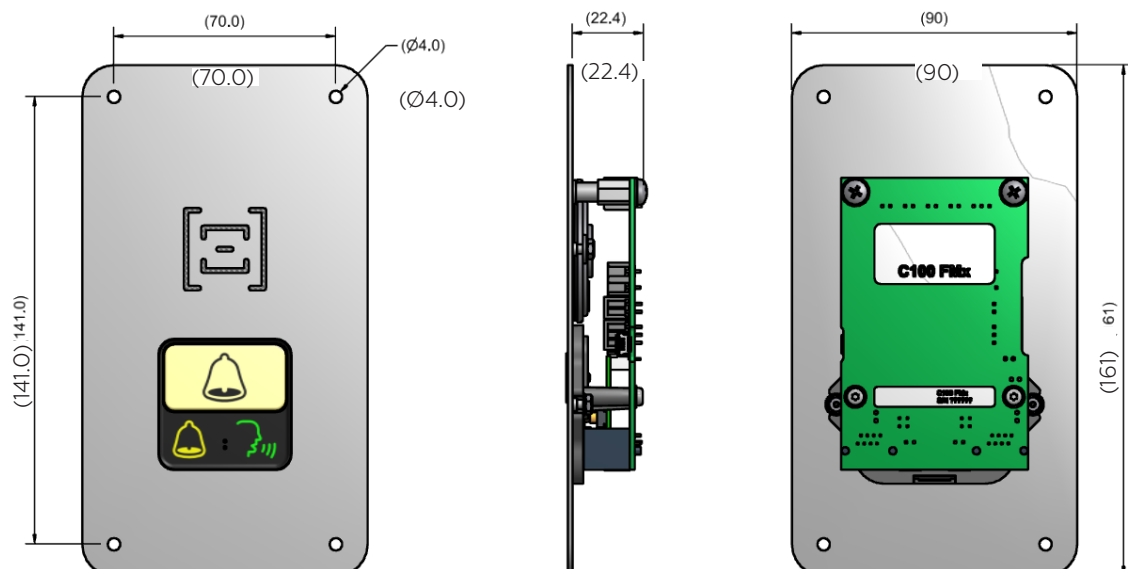
Guide d'installation

Ref No. C100 852 (F) Version 4

Le système de téléphone de secours Memco C100 a été conçu pour une installation en cabine simple et rapide. C'est aussi le premier Téléphone de Secours qui peut être programmé en appuyant sur un seul bouton, pour obtenir la mise en place et la programmation la plus rapide et la plus facile qui soit.

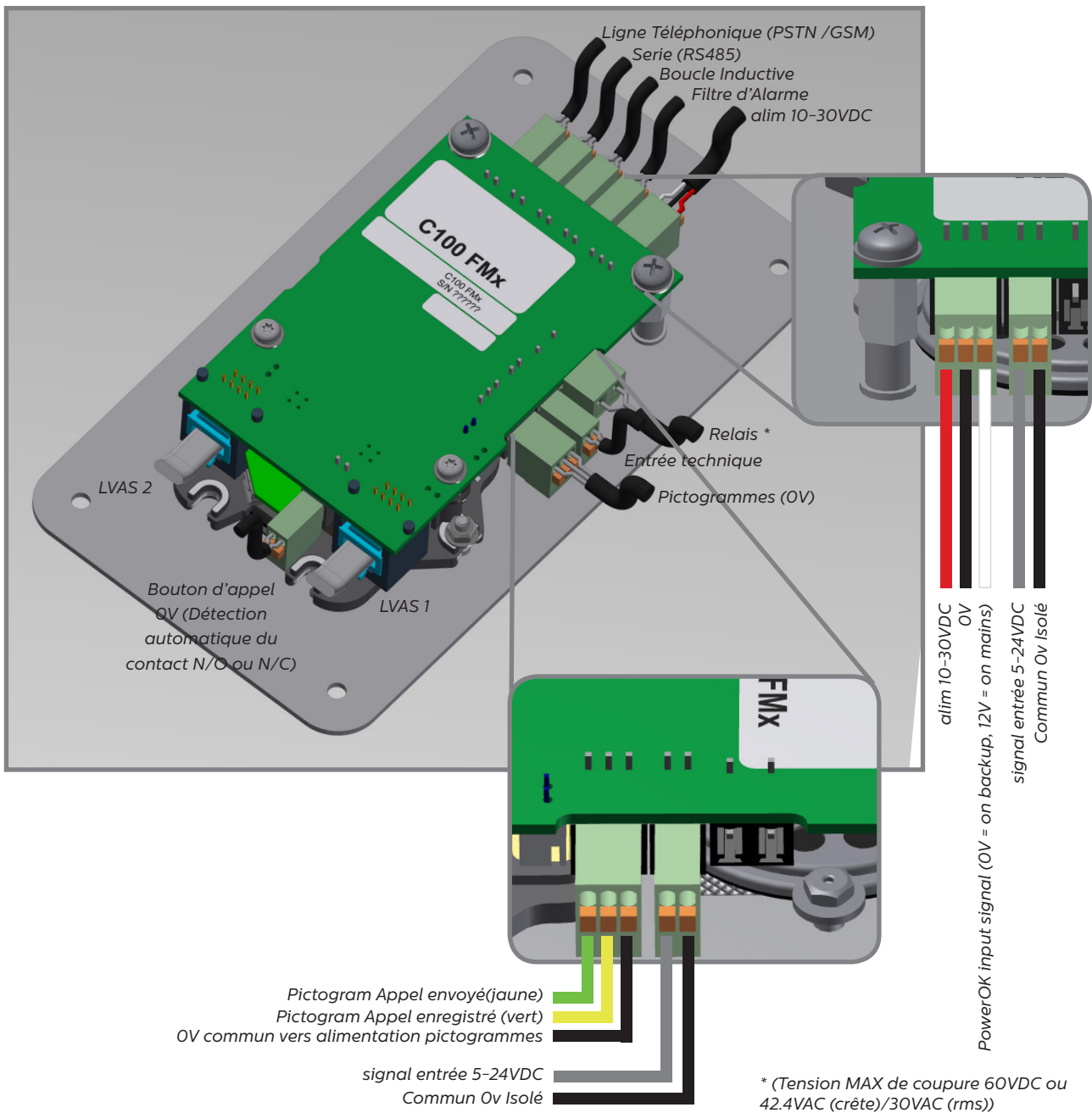
Model No. C100 FM1	Model No. C100 FM2	Model No. C100 FM3
		
<p>Cette variante du produit peut être installée en saillie sur le COP et intègre un haut parleur et un microphone.</p>	<p>Cette variante du produit peut être installée en saillie sur le COP et intègre un haut parleur, un microphone, une entrée relais, et pictogrammes</p>	<p>Cette variante du produit peut être encastrée dans le COP et intègre un haut parleur, un microphone, une entrée relais et pictogrammes.</p>

Dimensions (mm)



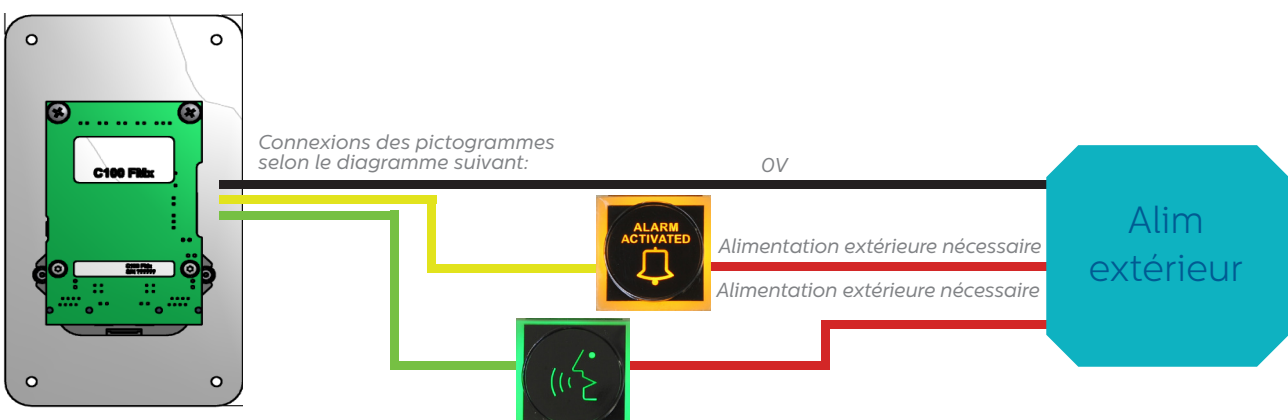
Connexons sur l'unité principale

Veillez trouver ci-dessous les détails de toutes les connexions disponibles sur l'unité de C100 version à encastrer 3. Toutes les connexions qui ont une polarité ou spécificité sont expliquées dans les photos agrandies.



Connexion des pictogrammes externes et illumination du bouton d'appel.

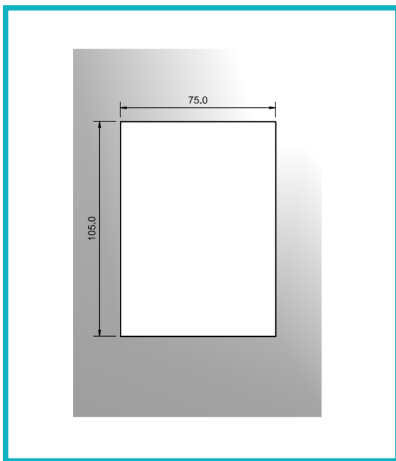
Tant que des pictogrammes externes sont alimentés par une alimentation électrique indépendante, le C100 peut contrôler leur activation. Ces pictogrammes doivent être connectés comme indiqué ci-dessous :



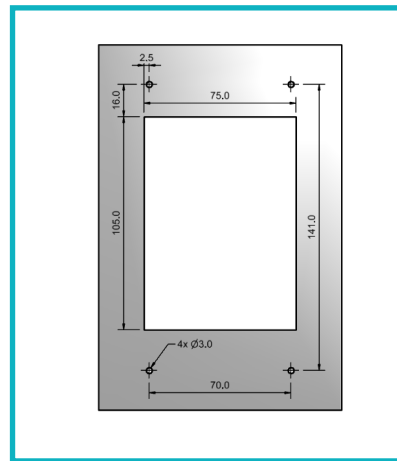
Fixer l'unité sur le COP

Suivez simplement les étapes ci-dessous pour installer le C100 version à encastrer dans la boîte à boutons.

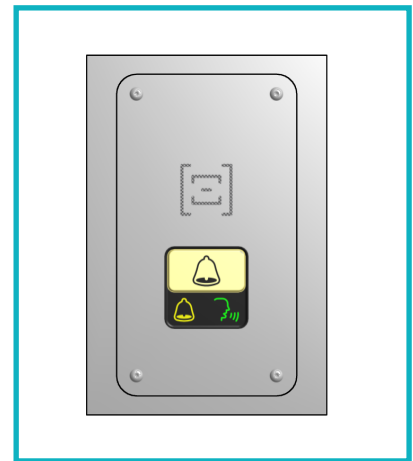
1. faire un trou dans le bandeau cabine pour permettre le passage de la carte électronique du C100 FM



2. percer les trous de fixations



3. Fixer l'unité en utilisant les 4 vis fournies



Options de Programmation

- + Programmation à une seule touche(Outil de programmation)
- + Programmation avec le Menu(Outil de programmation)
- + À distance via le logiciel ETR ou un combiné téléphonique DTMF

Programmation, en appuyant sur un bouton

1. Connecter l'outil de programmation sur l'unité C100.
2. Si l'outil de programmation C100 a déjà un modèle personnalisé de configuration, le message suivant apparaîtra " Programmation avec une touche ?"
3. Appuyez sur le bouton ✓ et la programmation sera automatiquement téléchargée sur l'unité C100.

Si un message de localisation doit être enregistré sur l'unité, appuyez sur "1". Entrer en mode de programmation et enregistrer le message dans l'emplacement suivant du menu de programmation: Messages > Lieu.

La programmation est maintenant terminée. Vous devez seulement vous référer aux sections ci-dessous si une programmation plus avancée est nécessaire.



Commandes de programmation et Menu complet

Si vous ne pouvez pas utiliser une programmation à une touche, programmez l'unité en utilisant le menu complet. Les détails des commandes de ce menu complet et le menu de démarrage rapide sont expliqués ci-dessous :

Commandes du Menu



Navigation
vers le haut



Navigation
vers le bas



Suivant / Valider



Retour / Effacer

Menu de programmation rapide

1. N° alarme 1	<ul style="list-style-type: none"> + Utiliser le clavier, saisir le premier numéro de téléphone de l'opérateur en charge des appels d'urgence. Si l'unité utilise le protocole Hotline (poste de sécurité), entrer "0" à la place du numéro d'appel. + Sélectionner le protocole nécessaire dans la liste: Guidage vocal, sans guidage, Memco, P100 ou Contact ID. Si connexion sur un poste de sécurité sans nécessité de composer un numéro, vous devez cocher la case 'Hotline' dans paramètres> Config system> Hotline
2. N° alarm techni	<ul style="list-style-type: none"> + Utiliser le clavier, saisir le numéro de téléphone pour gérer les alarmes techniques + Sélectionner le protocole nécessaire dans la liste + L'unité va vous demander si vous souhaitez utiliser le même numéro pour les tests cycliques. Appuyez sur ✓ si OK ou ✗ pour annuler
3. N° test cycliq.	<ul style="list-style-type: none"> + Si vous avez accepté la copie du numéro d'alarme technique, vous pouvez passer cette étape. + Si non, saisir le numéro de téléphone nécessaire + Sélectionner le protocole dans la liste.
4. Volume	<ul style="list-style-type: none"> + Si vous souhaitez régler le volume, appuyez sur la flèche du haut ou du bas pour l'ajuster. + Appuez sur ✓ pour valider
5. Lieu	<ul style="list-style-type: none"> + Pour enregistrer le message de localisation, appuyez sur "2" pour démarrer l'enregistrement. + Appuyez sur ✓ pour arreter l'enregistrement + Appuyez sur "1" pour lire le message
6. Code ID	<ul style="list-style-type: none"> + Inforamtion nécessaire seulement si vous utilisez Globalnet pour surveiller l'unité C100. + Si oui, ajouter 3 chiffres de votre numéro de client Globalnet au code ID, celui-ci est inscrit sur la partie basse de l'unité C100. ex: 109 463768
7. ID Réseau	<ul style="list-style-type: none"> + Si vous installez plus d'une unité C100 sur une ligne téléphonique, vous devez assigner chaque unité à un numéro d'identification réseau. + La première unité aura le numéro 1, la deuxième 2, la troisième 3 et ainsi de suite jusqu'à 8 maximum.

Pour sortir du menu de programmation, appuyez 2 fois sur ✗ et choisir l'action nécessaire en sortant dans la liste.

Exit Only
Test Tech, Call
Test Bkgd. Call

Options du Menu de programmation complet.

Structure du Menu Complet

Système OK
1: Programmation

Program rapid >	
Numéros appels>	
	N°alarme 1
	N°alarme 2
	N°alarme 3
	N°alarme 4
	N°alarm techni
	N° test cyclique
	Tentatives d'appel
Paramètres >	
	Code ID
	Volume
	Config Système>
	Gestion hard >
Temps >	
	Cabine report
	Fosse report
	Tech report
	Raccroch.Rep.
	Décroch. Repor
	Temps réessai
	Tps detec voix
Messages >	
	Lieu
	Réassurance
	Guidage vocal
Date/heure >	
	Réglage heure
	Réglage date
Opts Avancé >	
	Code d'accès
	ID Réseau
	Appel test ON
	PBX Freq.
	Langage >
	Mode Relais >
	Relay annuler >
	Synchro GMT
Modèles	
	Charger modèle
	Sauver modèle
	Effacer modèle

Pour reprogrammer une unité, vous verrez l'écran ci contre. Appuyez sur "1" pour entrer dans le menu de programmation et accéder à toutes les options. Il vous demandera d'entrer un mot de passe seulement si la fonction EN81-28 a été activée.

Explications des Sections du Menu...

Program Rapid

Le menu de programmation rapide est constitué de 7 options nécessaires à une mise en route rapide. Merci de vous référer aux pages précédentes de ce guide pour plus de détails

Numéros d'appels

Alarme n°

Jusqu'à quatre numéros d'appel d'urgence peuvent être programmés dans l'unité C100.

À l'aide du clavier, saisissez le premier numéro de téléphone du service de gestion des appels d'urgence.

Si le protocole Hotline est utilisé, le numéro de téléphone sera le 0.

Guidage vocal	L'appareil diffuse un message d'orientation (Cf. page) au centre d'appel au moment où celui-ci répond à un appel d'urgence
Pas de guidage	Aucun message n'est diffusé si quelqu'un répond à un appel d'urgence. REMARQUE : Si l'option "Localisation auto" a été sélectionnée dans "Config. système+", le message de localisation est automatiquement diffusé au début de l'appel.
Memco	Protocole requis pour la réception des appels de test cyclique avec le logiciel ETR
P100	Protocole requis pour la réception des appels de test cyclique avec le logiciel récepteur P100
ContactID	Protocole requis pour la réception des appels de test cyclique avec le logiciel récepteur "Contact ID"

Sélectionnez le protocole requis dans cette liste:

Faites défiler jusqu'au protocole souhaité et appuyez sur # pour confirmer.

Remarque : En cas de raccordement à un autocommutateur PBX/PABX, insérez le numéro nécessaire pour obtenir une ligne extérieure, suivi d'une pause (*) puis du numéro de téléphone, par ex. 9*01344854000

Si d'autres numéros d'appel d'urgence sont nécessaires, répétez ces étapes pour l'alarme n°2, l'alarme n°3, etc.

N°alarm technique

L'unité C100 peut passer des appels d'alerte technique pour signaler les pannes du système.

Une alerte technique est un événement non planifié, par ex. lié à une entrée technique, ou une batterie faible sans alimentation principale.

Tous les autres diagnostics sont vérifiés lors d'un test cyclique programmé (voir ci-après). Par défaut, le nombre de tentatives d'appel vers ce numéro est défini par le 5ème chiffre de l'écran Tentatives d'appel (Cf. Tentatives d'appel ci-après), puis le système attend l'alarme technique suivante.

Si vous utilisez le logiciel ETR d'Avire, sélectionnez le protocole "Memco".

N° Test cyclique

Pour paramétrer le test cyclique EN81-28 sur trois jours (appel de test), programmez le numéro de téléphone requis ici.

Si vous utilisez le logiciel ETR d'Avire, sélectionnez le protocole "Memco".

Tentatives d'appel

Nombre de tentatives que l'unité C100 fera pour contacter chaque numéro de téléphone (9 tentatives maximum par numéro).

La valeur par défaut est "999999" ; chaque chiffre correspond à l'un des six numéros de téléphone programmés.

Options du Menu de programmation complet.

Structure du Menu Complet

Program rapid >	
Numéros appels>	
	N°alarme 1
	N°alarme 2
	N°alarme 3
	N°alarme 4
	N°alarm techni
	N° test cyclique
	Tentatives d'appel
Paramètres >	
	Code ID
	Volume
	Config Système>
	Gestion hard >
Temps >	
	Cabine report
	Fosse report
	Tech report
	Raccroch.Rep.
	Décroch. Repor
	Temps réessai
	Tps detec voix
Messages >	
	Lieu
	Réassurance
	Guidage vocal
Date/heure >	
	Réglage heure
	Réglage date
Opts Avancé >	
	Code d'accès
	ID Réseau
	Appel test ON
	PBX Freq.
	Langage >
	Mode Relais >
	Relay annuler >
	Synchro GMT
Modèles	
	Charger modèle
	Sauver modèle
	Effacer modèle

Explications des Sections du Menu

Paramètres

Code ID

Si vous utilisez le protocole Memco de GlobalNet pour surveiller l'unité C100, saisissez le code suivant:

[code client à 3 chiffres][code d'identification de l'appareil]

Volume

Appuyez sur les flèches haut et bas pour régler le volume et appuyez sur # pour confirmer.

Config. système

Définit comment le système doit fonctionner. Sélectionner / désélectionner les options nécessaires au fonctionnement du système en utilisant ✓. Ci dessous les explications de chaque options:

Config Système		
Multi-appel	Permet de configurer l'appareil pour qu'il appelle tous les numéros d'appel d'urgence programmés l'un après l'autre.	
Mode EN81-28	Empêche l'appareil d'accepter les appels entrants lorsqu'il n'est pas en état d'alarme et nécessite un mot de passe pour accéder à la programmation à distance.	
Appconsecutif	Change la séquence de numérotation ; toutes les tentatives d'appel vers le premier numéro sont faites avant que l'appareil ne tente d'appeler le deuxième numéro, et ainsi de suite.	
Tonalité alt.	Permet au système de fonctionner avec une tonalité de numérotation intermittente.	
Rebours verbal	Les appareils font un décompte verbal jusqu'à ce que l'appel d'urgence soit passé.	
Code d'accès?	Exige la saisie d'un mot de passe pour pouvoir accéder au menu "Config. système".	
EOA picto	Permet de configurer le système de façon à maintenir le pictogramme d'alarme allumé pendant que l'appareil est en état d'alarme.	
Tonalité d'alm	Permet de configurer l'appareil de façon à émettre une tonalité depuis le haut-parleur interne quand le bouton d'alarme est actionné.	
Hotline	Utilisez cette fonction si le système est paramétré comme une hotline. Si tel est le cas, le C100 se connecte automatiquement à une autre extension au sein du central téléphonique du bâtiment.	
Lieu auto.	Quand un opérateur répond à un appel d'urgence, l'unité C100 diffuse automatiquement le message de localisation. REMARQUE : lors de la programmation des numéros d'appel d'urgence, le protocole "Sans guidage" doit être sélectionné (Cf. section Numéros d'alarme pour plus de détails).	
Pas de silence	Pendant un appel d'urgence, l'unité C100 ne désactivera pas son haut-parleur, sauf si l'opérateur appuie sur la touche "2" de son combiné.	

Options du Menu de programmation complet.

Structure du Menu Complet

Program rapid >	
Numéros appels>	
	N°alarme 1
	N°alarme 2
	N°alarme 3
	N°alarme 4
	N°alarm techni
	N° test cyclique
	Tentatives d'appel
Paramètres >	
	Code ID
	Volume
	Config Système>
	Gestion hard >
Temps >	
	Cabine report
	Fosse report
	Tech report
	Raccroch.Rep.
	Décroch. Repor
	Temps réessai
	Tps detec voix
Messages >	
	Lieu
	Réassurance
	Guidage vocal
Date/heure >	
	Réglage heure
	Réglage date
Opts Avancé >	
	Code d'accès
	ID Réseau
	Appel test ON
	PBX Freq.
	Langage >
	Mode Relais >
	Relay annuler >
	Synchro GMT
Modèles	
	Charger modèle
	Sauver modèle
	Effacer modèle

Explications des Sections du Menu...

Config. système suite

Appel rapide	Réduit le test de détection de tonalité de 7 secondes à 3 secondes et évite ainsi les problèmes d'expiration du délai d'attente des centraux après 4 secondes.
Fast sp.det.	Permet à l'unité C100 de détecter une communication verbale avant que la première impulsion de sonnerie ne soit envoyée sur la ligne.
Dialtone req	Oblige l'unité C100 à détecter une tonalité avant toute tentative de numérotation.
Lineflt. Alert	Si la ligne téléphonique de l'unité C100 est coupée, l'appareil diffuse un message d'avertissement. Le message se répète toutes les 3 minutes jusqu'à ce que la ligne téléphonique soit rétablie.

Gestion hard

La surveillance du matériel définit les éléments du système qui sont vérifiés lorsque l'appareil effectue son auto-contrôle et passe un appel de test. Les paramètres par défaut sont indiqués ci-dessous:

Gestion hard >		
	Alimentation	✓
	Batterie	✓
	Ligne tél.	✓
	HP/micro	✓
	AS	X
	Statut GSM	X

Temps

Des délais peuvent être définis pour retarder le moment où l'appareil passe un appel.

Cabine report

Temps (en secondes) pendant lequel chacun des boutons d'alarme du TCC doit être actionné avant qu'un appel d'urgence soit passé. Le délai par défaut est de 3 secondes.

Fosse report

Fosse report se rapporte aux accessoires de la station d'appel déportée (LVAS). Temps (en secondes) pendant lequel chacun des boutons d'alarme des unités doit être actionné avant qu'un appel d'urgence soit passé. Le délai par défaut est de 3 secondes.

Tech report

Délai avant qu'un appel technique ne soit passé à réception d'un signal de panne provenant d'un dispositif tiers connecté par le biais de l'entrée technique.

Raccroch. report.

Temps (en minutes) avant que l'unité C100 ne mette fin à un appel (temps de conversation).

Décroch. report

Nombre de sonneries que le C100 doit détecter avant de répondre aux appels entrants.

Temps réessai

Permet de définir un délai de numérotation (en secondes) entre les différents numéros que compose le C100. Un réglage à 0 (réglage par défaut) désactive cette fonction.

Tps detec voix

Permet de définir une temporisation (en secondes) pendant laquelle le C100 doit détecter un signal vocal sur la ligne. Si aucun signal vocal n'est détecté à la fin de cette temporisation, le C100 met automatiquement fin à l'appel. Un réglage à 0 (réglage par défaut) désactive cette fonction.

Options du Menu de programmation complet.

Structure du Menu Complet

Program rapid >	
Numéros appels>	
	N°alarme 1
	N°alarme 2
	N°alarme 3
	N°alarme 4
	N°alarm techni
	N° test cyclique
	Tentatives d'appel
Paramètres >	
	Code ID
	Volume
	Config Système>
	GESTION HARD >
Temps >	
	Cabine report
	Fosse report
	Tech report
	Raccroch.Rep.
	Décroch. Repor
	Temps réessai
	Tps detec voix
Messages >	
	Lieu
	Réassurance
	Guidage vocal
Date/heure >	
	Réglage heure
	Réglage date
Opts Avancé >	
	Code d'accès
	ID Réseau
	Appel test ON
	PBX Freq.
	Langue >
	Mode Relais >
	Relay annuler >
	Synchro GMT
Modèles	
	Charger modèle
	Sauver modèle
	Effacer modèle

Explications des Sections du Menu...

Messages

Messages >	
Lieu	Ceci est le seul message qui nécessite d'être enregistré. Il est diffusé au centre d'appel qui reçoit l'appel d'urgence afin de lui indiquer la localisation de l'ascenseur.
Réassurance	Ceci est le message diffusé aux personnes bloquées dans l'ascenseur tandis que l'appel d'urgence est passé.
Guidage vocal	Si le protocole "Guidage vocal" a été sélectionné, ce message sera diffusé au centre d'appel pour demander à l'opérateur s'il souhaite écouter le message de localisation ou être immédiatement mis en relation avec la cabine.

Heure/Date

La date et heure peuvent être indiquées en utilisant le clavier et en appuyant sur ✓ pour valider.

Opts Avancé

Code d'accès

Entrez le mot de passe requis pour accéder au mode de programmation standard lorsque le mode EN81-28 est actif. (6 chiffres maximum). Il deviendra également le mot de passe requis pour accéder à l'ancienne structure des menus. Cependant, depuis l'écran de veille, vous devrez appuyer sur * avant et sur # après le mot de passe (* MOT DE PASSE #)

ID Réseau

Définissez un numéro de poste (1-8) lorsque les appareils sont connectés sur une même ligne téléphonique. L'identifiant de tous les appareils d'un système doit être unique.

Appel test ON

Fournit les détails du prochain test cyclique prévu pour l'unité.

PBX Freq.

Définit la fréquence de tonalité de déconnexion (40 à 2000 Hz, par pas de 40 Hz) si l'appareil est raccordé à un autocommutateur PBX qui n'utilise pas des tonalités standards.

Langue

Sélectionnez la langue que vous souhaitez.

Options du Menu de programmation complet.

Structure du Menu Complet

Program rapid >	
Numéros appels>	
	N°alarme 1
	N°alarme 2
	N°alarme 3
	N°alarme 4
	N°alarm techni
	N° test cyclique
	Tentatives d'appel
Paramètres >	
	Code ID
	Volume
	Config Système>
	GESTION HARD >
Temps >	
	Cabine report
	Fosse report
	Tech report
	Raccroch.Rep.
	Décroch. Repor
	Temps réessai
	Tps detec voix
Messages >	
	Lieu
	Réassurance
	Guidage vocal
Date/heure >	
	Réglage heure
	Réglage date
Opts Avancé >	
	Code d'accès
	ID Réseau
	Appel test ON
	PBX Freq.
	Langage >
	Mode Relais >
	Relay annuler >
	Synchro GMT
Modèles	
	Charger modèle
	Sauver modèle
	Effacer modèle

Explications des Sections du Menu...

Mode Relais

Le contact du relais d'une unité C100 peut être utilisé pour faire passer l'alimentation sur un dispositif externe. Les modes suivants sont disponibles:

Mode Relais >		
	Sirene	<p>✘ Les contacts du relais se ferment lorsque le bouton d'alarme est actionné et s'ouvrent à nouveau une fois le délai du bouton d'alarme écoulé. Généralement utilisé pour déclencher une sirène au niveau de la cabine de l'ascenseur.</p>
	Porte (NO/CMD)	<p>✘ Mode de déverrouillage de la porte, déverrouillage sur commande, l'état par défaut du relais est N/O. Le déverrouillage de la porte n'est activé que si l'opérateur appuie sur la touche "8" de son combiné pendant l'appel d'urgence initial ou tout autre appel de suivi. Le déverrouillage reste alors activé jusqu'à la fin de l'appel.</p>
	Porte (NF/CMD)	<p>✘ Mode de déverrouillage de la porte, déverrouillage sur commande, l'état par défaut du relais est N/F. Le déverrouillage de la porte n'est activé que si l'opérateur appuie sur la touche "8" de son combiné pendant l'appel d'urgence initial ou tout autre appel de suivi. Le déverrouillage reste alors activé jusqu'à la fin de l'appel.</p>
	Porte (NO/ALM)	<p>✘ Mode de déverrouillage de la porte, déverrouillage sur bouton d'alarme, l'état par défaut du relais est N/O. Le déverrouillage de la porte est activé dès que le pictogramme d'alarme s'allume, et il reste activé jusqu'à réception du signal de fin d'alarme.</p>
	Porte (NF/ALM)	<p>✘ Mode de déverrouillage de la porte, déverrouillage sur bouton d'alarme, l'état par défaut du relais est N/F. Le déverrouillage de la porte est activé dès que le pictogramme d'alarme s'allume, et il reste activé jusqu'à réception du signal de fin d'alarme.</p>
	Défaut ligne	<p>✘ Les contacts du relais sont fermés par défaut, et s'ouvrent quand un défaut est détecté sur la ligne RTPC. Une fois le défaut corrigé, les contacts reviennent à leur position fermée par défaut.</p>
	Défaut techniq	<p>✘ Mode défaut technique - Les contacts du relais sont fermés par défaut, et s'ouvrent quand un défaut technique est détecté par l'unité C100. Une fois le défaut corrigé, les contacts se referment.</p>
	LED de secours	<p>✘ Mode éclairage de secours - les contacts du relais sont ouverts par défaut, et se ferment dans la seconde suivant une coupure de l'alimentation externe. Ceci permet d'utiliser le relais pour faire passer l'alimentation de secours sur le matériel d'éclairage de secours en cas de coupure de l'alimentation externe. Une fois que l'alimentation externe est rétablie, les contacts du relais se rouvrent.</p>
	Picto. vert	<p>✘ Si un double bouton d'alarme lumineux est connecté aux contacts du relais :</p> <p>Lorsque le centre d'appel répond à un appel d'urgence, le contact du relais se ferme et déclenche l'allumage du bouton d'alarme ; ce dernier reste allumé jusqu'à ce que le centre d'appel mette fin à l'appel.</p>
	Les deux picto	<p>✓ Si un double bouton d'alarme lumineux est connecté aux contacts du relais :</p> <p>Lorsque le bouton d'alarme est actionné, le contact du relais se ferme et déclenche l'allumage du bouton d'alarme ; ce dernier reste allumé jusqu'à ce que le centre d'appel mette fin à l'appel.</p>

Options du Menu de programmation complet.

Structure du Menu Complet

Opts Avancé >	Code d'accès
	ID Réseau
	Appel test ON
	PBX Freq.
	Langage >
	Mode Relais >
	Relay annuler >
	Synchro GMT
Modèles	
	Charger modèle
	Sauver modèle
	Effacer modèle

Explications des Sections du Menu...

Relay annuler

Relay annuler >		
	Eteint	Le relais commutera en fonction du réglage du mode relais..
	Ouvert	Les contacts du relais resteront ouverts jusqu'à ce que la commande prioritaire du relais soit de nouveau changée.
	Fermé	The relay contacts will be held in the closed state until Relay Override is changed again.

Décalage GMT

Aucune mise à jour nécessaire sur l'appareil. Pour référence uniquement.

Modèles

L'option de programmation actuellement sélectionnée dans l'outil de programmation du C100 (C100 PT) peut être enregistrée comme modèle afin de permettre une programmation à une touche.

Jusqu'à huit modèles de programmation peuvent être enregistrés sur le C100 PT.

Chargement d'un modèle

1. Pour charger un modèle de programmation sur le téléphone C100 :
2. Sélectionnez le modèle de programmation requis dans la liste et appuyez sur ü
3. Dans la fenêtre de confirmation, appuyez sur ü pour charger le modèle ou appuyez sur û pour annuler
4. Si aucun modèle n'est enregistré dans le C100 PT, la liste sera vide.

Enregistrer un modèle

1. Pour enregistrer l'option de programmation actuellement sélectionnée dans le C100 PT comme modèle :
2. Sélectionnez NEW TEMPLATE et appuyez sur ü
3. Dans la fenêtre de confirmation, appuyez sur ü pour charger le modèle ou appuyez sur û pour annuler
4. Le C100 PT nomme automatiquement le modèle (en commençant par 'TEMPLATE 1').
5. Pour que l'option de programmation actuellement sélectionnée dans le C100 PT écrase un modèle existant :
6. Sélectionnez le modèle que vous souhaitez remplacer dans la liste et appuyez sur ü
7. Dans la fenêtre de confirmation, appuyez sur ü pour charger le modèle ou appuyez sur û pour annuler

Supprimer un modèle

1. Pour supprimer un modèle du C100 PT :
2. Sélectionnez le modèle de programmation requis dans la liste et appuyez sur ü
3. Si aucun modèle n'est enregistré dans le C100 PT, la liste sera vide.
4. Dans la fenêtre de confirmation, appuyez sur ü pour charger le modèle ou appuyez sur û pour annuler

AVIRE

Memco is a brand of Avire

Avire Ltd

ZAC Des Portes de l'Oise
9 BIS Rue Léonard de Vinci
60230 CHAMBLY
France

T: (+33) 01 30 28 95 39
F: (+33) 01 30 28 24 66
E: sales.fr@avire-global.com
W: www.avire-global.com



Memco® C100 montaggio a filo 1, 2 e 3

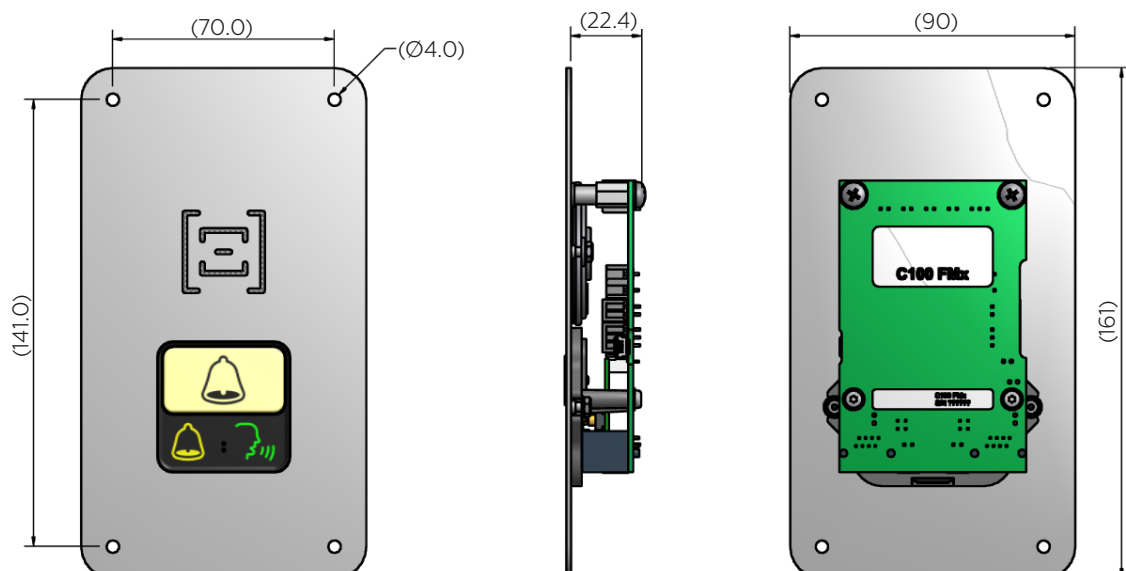
Manuale d'installazione

Ref No. C100 852(I) Version 4

Il MEMCO C100 è un sistema telefonico di emergenza per interno cabina. E 'stato progettato per fornire l'installazione veloce e semplice e puo essere programmata con il semplice tocco di un pulsante.

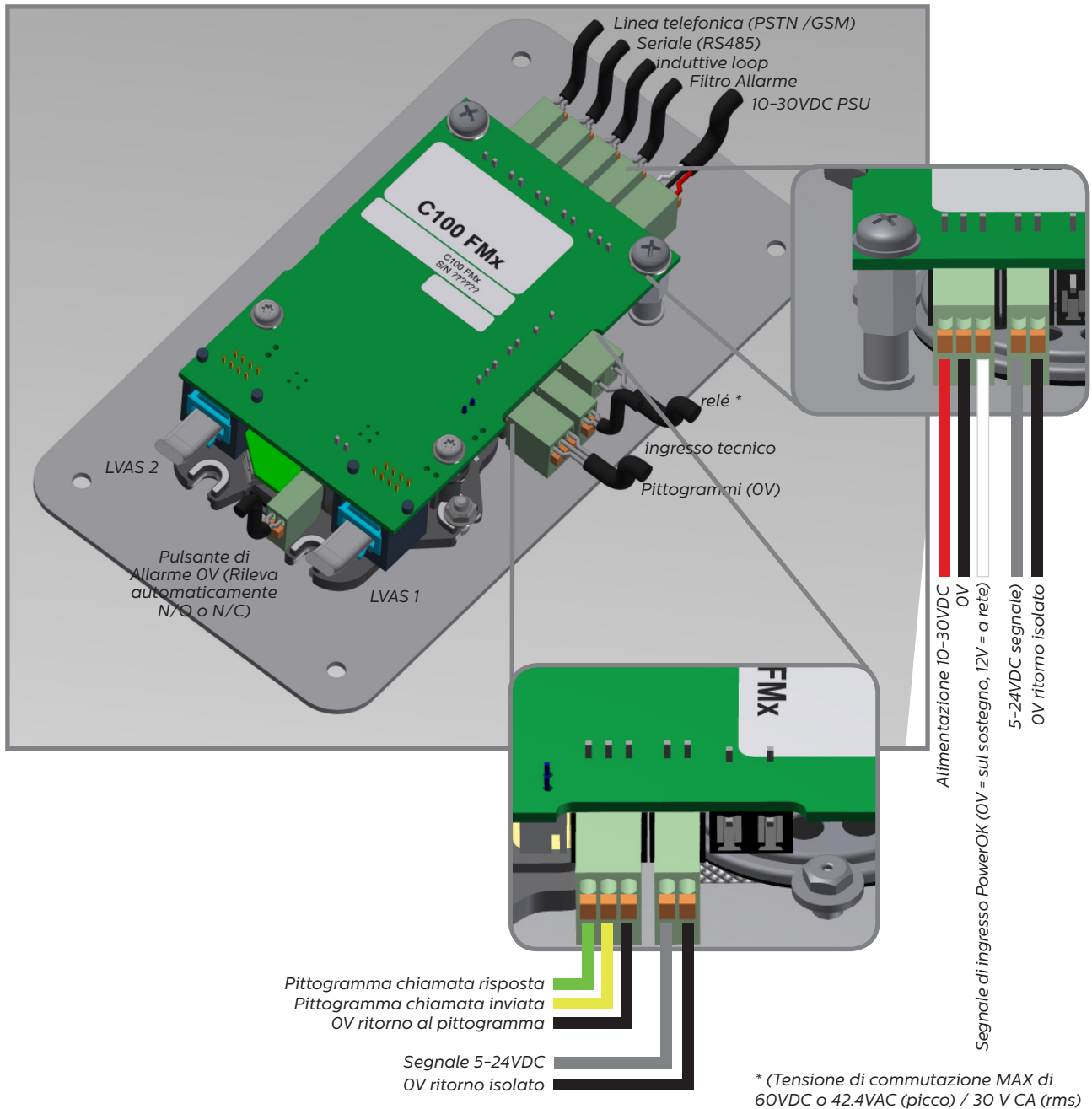


Dimensioni (mm)



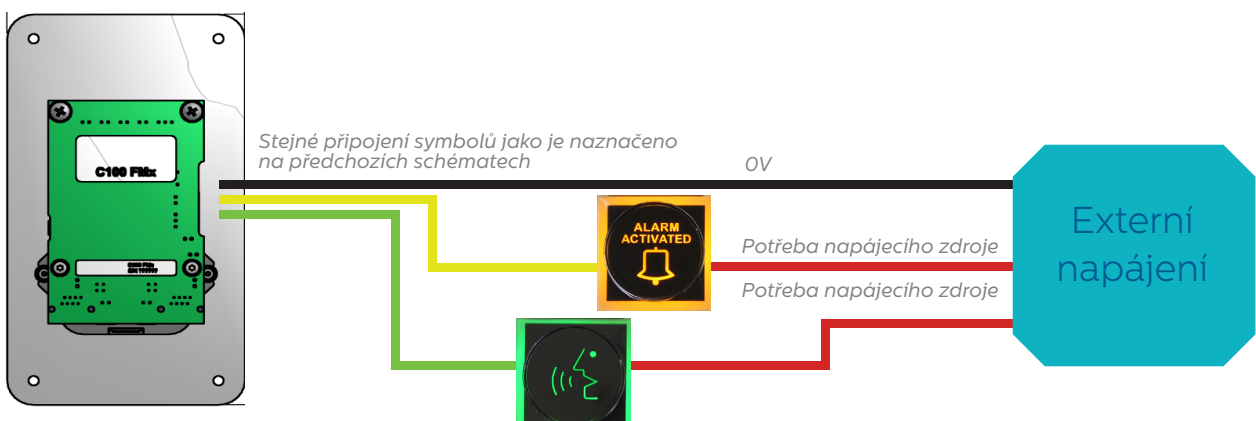
Collegamenti con l'unità principale

Si prega di vedere i dettagli di seguito di tutte le connessioni disponibili sul C100 ad incasso 3 unità. Tutte le connessioni che hanno una particolare polarità o richiedono connessioni specifiche sono spiegati nel dettaglio.



Připojení externích symbolů

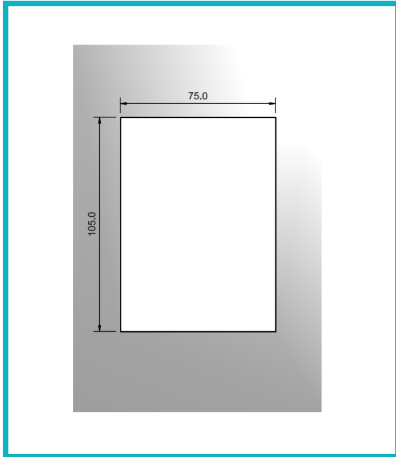
Dokud jsou externí symboly napájeny nezávislým napájecím zdrojem, C100 může ovládat jejich funkci. Tyto symboly by měly být připojeny následovně:



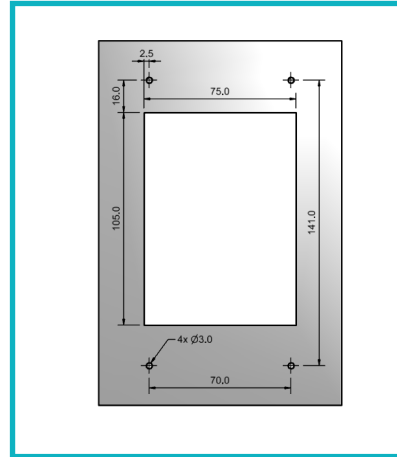
Fissaggio dell'unità

Seguire questi passaggi per installare l'accessorio.

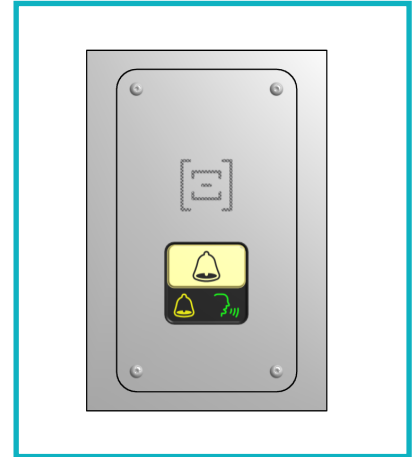
1. Praticare dei fori per cavi accessori



2. Fori di fissaggio



4. Fissare l'unità in posizione con le quattro viti fornite



Opzioni di programmazione

- + Programmazione one-touch (strumento di programmazione)
- + Programmazione tramite il menu completo del prodotto (strumento di programmazione)
- + Remoto tramite software ETR o un telefono a toni

Programmazione, con il semplice tocco di un pulsante

1. Collegare lo strumento di programmazione nell'unità C100.
2. Se l'unità di programmazione C100 dispone di un modello di programmazione impostato, verrà visualizzato il seguente messaggio di 'programmazione One-touch?'
3. Premere il tasto ✓ e la programmazione verrà scaricata automaticamente nell'unità C100

Se un messaggio di posizione deve essere registrato sull'unità, premere 1. Entrare in modalità di programmazione e registrare il messaggio nella seguente posizione sul menu Messaggi programmazione> Posizione.

La programmazione è ora completa. È necessario fare riferimento alle sezioni della guida, se è necessaria una programmazione avanzata.



Controlli di programmazione e menu completo

Se non siete in grado di utilizzare la programmazione one-touch, programmare l'unità utilizzando il menu completo del prodotto. Dettagli dei comandi di menu e menu di avvio rapido sono riportati qui sotto:

Controlli menu



Scorrere verso l'alto



Scorrere verso il basso



Avanti/
Confermare



Indietro/
Annulla

Menu di Avvio rapido

1. Allarme 1

- + Utilizzando la tastiera, immettere il primo numero di telefono dell'allarme. Se si collega l'unità a un Hotline, immettere 0 invece di un numero telefonico completo
- + Selezionare il protocollo richiesto dalla lista che comprende informazioni: guidate, non guidate, Memco, P100 e Contact ID. Se la connessione a un numero verde, allora non è richiesto il numero di telefono, e questo dovrà essere programmato barrando 'Hotline' in Impostazioni> Sys Config> Hotline

2. Numero Tecnico

- + Utilizzando la tastiera, inserire il numero di telefono del sistema software per le chiamate tecniche
- + Selezionare il protocollo desiderato dall'elenco
- + L'unità chiederà se si desidera utilizzare lo stesso numero per le chiamate in background, premere ✓ per accettare e ✗ di rifiutare.

3. N° Background

- + Se avete accettato di copiare il numero di telefono dalla Tech No, è possibile ignorare questa opzione
- + In caso contrario, inserire il numero di telefono desiderato
- + Selezionare il protocollo desiderato dall'elenco.

4. Volume

- + Se avete bisogno di un volume diverso per il volume predefinito, premere le frecce su e giù fino a raggiungere il volume desiderato
- + Premere ✓ per confermare

5. Localizzazione

- + Per registrare un messaggio con posizione, premere 2 per avviare la registrazione
- + Premere ✓ per terminare la registrazione
- + Premere 1 per riprodurre il messaggio

6. Codice ID

- + Richiede solo ingresso se si utilizza GlobalNet per monitorare l'unità C100
- + Se è così, aggiungere 3 cifre del numero cliente Globalnet al codice unità ID, che è scritto sul fondo dell'unità cioè 109 463768

7. Network ID

- + Se si collega più unità a una singola linea telefonica, è necessario assegnare ad ogni unità un ID di rete
- + La prima unità avrebbe un codice ID di 1, la seconda unità 2, la terza unità 3, e così via.

Per uscire dalla modalità di programmazione Premere ✗ due volte, e selezionare l'azione desiderata all'uscita da questa lista.

Exit Only
Test Tech, Call
Test Bkgd. Call

Struttura del menu completo

Stato OK	
1: Programmazione	
Quickstart >	
Numeri tel >	
	1° allarme
	2° allarme
	3° allarme
	4° allarme
	Allm Tecnico
	N.supporto
	Prove
Settaggio >	
	Codice ID
	Volume
	Config.di sist>
	Controllo HW >
Ritardi >	
	Delay cabina
	Delay vano
	Delay tecn
	Riaggangiare
	Delay risp
	Ritardo richi.
	Rilievo Voce
Messaggi >	
	Luogo
	Rassicurazione
	Guida
Ora/Giorno >	
	Ora
	Data
Avanzati >	
	Codice accesso
	ID rete
	Test call ON
	FreqCentralino
	Lingua >
	Relay Modalit >
	Relay o/ride >
	Fuso orario
Modelli	
	Caricare Mod
	Salvare Mod
	Cancellare Mod

Il menù di avvio rapido contiene 7 opzioni di menù per impostare rapidamente l'unità. Per maggiori informazioni fare riferimento alla pagina precedente.

Spiegazioni Sezioni Menu...

Numeri tel

Numero di allarme

Nell'unità C100 è possibile programmare fino a 4 numeri telefonici di allarme.

Inserire da tastiera il primo numero telefonico di allarme. Se utilizza una linea d'emergenza inserire il numero come 0.

Selezionare dall'elenco il protocollo desiderato.

Guida	In caso di chiamata d'allarme, l'unità invia un Messaggio guida (vedere pagina relativa) al centro di assistenza.
Senza Guida	Al momento della risposta alla chiamata non viene inviato alcun messaggio. NOTA: se in 'System Config+' è stato selezionato 'Auto Location', il messaggio di posizione verrà inviato automaticamente all'inizio della chiamata.
Memco	Protocollo necessario in caso di ricezione di chiamate di test con ETR.
P100	Protocollo necessario in caso di ricezione di chiamate di test con programma ricevitore P100.
ContactID	Protocollo necessario in caso di ricezione di chiamate di test con programma ricevitore 'Contact ID'.

Scorrere fino al protocollo preferito e premere ✓ per confermare.

Nota: in caso di collegamento ad un PBX/PABX, inserire il numero necessario ad ottenere una linea esterna, seguito da una pausa (*), seguito dal numero di telefono 9*01344854000

Se necessari altri numeri di allarme, ripetere il procedimento per Alarm No. 2, Alarm No. 3 ecc.

Allm Tecnico

C100 può effettuare chiamate di Allarme tecnico per segnalare guasti di sistema.

Un Allarme tecnico è un evento imprevisto, p.es. un Segnale tecnico in ingresso, oppure un livello basso della batteria in assenza di alimentazione di rete.

Tutti gli altri controlli diagnostici vengono eseguiti durante una Chiamata in background programmata (vedere sotto). Di norma questo numero rappresenta il numero di volte indicato dalla 5a cifra nella schermata Call Attempts (vedere di seguito) prima di attendere il successivo allarme tecnico.

Se si utilizza il programma ETR di Avire, selezionare il protocollo 'Memco'.

N.supporto

Per impostare la chiamata di test per tre giorni EN81-28 (chiamata di test in background) programmare qui il numero di telefono desiderato.

Se si utilizza il programma ETR di Avire, selezionare il protocollo 'Memco'.

Prove

Numero di tentativi effettuati da C100 per contattare ciascun numero di telefono (max 9 per numero).

Il valore predefinito è '999999'; ogni cifra identifica uno dei sei numeri telefonici programmati.

Opzioni complete di programmazione

Struttura del menu completo

Quickstart >	
Numeri tel >	
	1° allarme
	2° allarme
	3° allarme
	4° allarme
	Allm Tecnico
	N.supporto
	Prove
Settaggio >	
	Codice ID
	Volume
	Config.di sist>
	Controllo HW >
Ritardi >	
	Delay cabina
	Delay vano
	Delay tecn
	Riaggangiare
	Delay risp
	Ritardo richi.
	Rilievo Voce
Messaggi >	
	Luogo
	Rassicurazione
	Guida
Ora/Giorno >	
	Ora
	Data
Avanzati >	
	Codice accesso
	ID rete
	Test call ON
	FreqCentralino
	Lingua >
	Relay Modalit >
	Relay o/ride >
	Fuso orario
Modelli	
	Caricare Mod
	Salvare Mod
	Cancellare Mod

Sezioni Menu spiegato...

Settaggio

Codice ID

Se si utilizza Memco GlobalNet per monitorare C100 inserire:

[numero cliente a 3 cifre][codice ID unità]

Volume

Premere le frecce per alzare/abbassare il volume e premere ✓ per confermare.

Configurazione di sistema

Set mostra come il sistema funzionerà. Selezionare / deselezionare quali modelli sono richiesti in modalità di funzionamento del sistema utilizzando il ✓ tasto. Vedi sotto per una spiegazione completa di ogni opzione:

Config.di sist>		
Multidial		Imposta l'unità per chiamare in sequenza tutti i numeri di allarme programmati.
EN 81 28		Impedisce che l'unità accetti chiamate entranti se non in condizione di allarme; richiede un codice di accesso alla programmazione da remoto.
Composizione		Cambia la sequenza di composizione; tutti i tentativi di chiamata verso il primo numero vengono completati prima di tentare di chiamare il secondo e via di seguito.
Alt.segn.linea		Consente al sistema di funzionare con tono di chiamata intermittente.
Conto rovescia		L'unità effettua un conteggio alla rovescia verbale fino a quando non viene effettuata la chiamata d'emergenza.
Codice access?		Necessario inserire un codice di accesso per il menù 'System Config'.
EOA pictogram		Imposta il sistema per mantenere illuminato il simbolo di allarme quando l'unità è in condizione di allarme.
tono di allarme		Imposta l'unità per emettere un tono dall'altoparlante interno quando viene premuto il pulsante d'allarme.
Numero fisso		Utilizzare in caso di impostazione come linea d'emergenza. Una Hotline è il punto in cui il C100 si collega automaticamente ad un altro interno del sistema di commutazione dell'edificio.
Localizzazione		Quando l'operatore risponde ad una chiamata d'allarme, C100 esegue automaticamente il messaggio sulla posizione. NOTA: nel programmare i numeri di allarme è necessario selezionare il protocollo 'UNGUIDED' (per maggiori dettagli vedere la sezione Numeri di allarme).
Speaker attivo		Durante una chiamata d'allarme C100 non silenzia l'altoparlante fino a quando l'operatore non preme il tasto '2' sul telefono.
Chiam. veloce		Riduce il test di rilevamento del tono di chiamata da 7 a 3 secondi per evitare problemi di commutazioni dopo 4 secondi.

Opzioni complete di programmazione

Struttura del menu completo

Quickstart >	
Numeri tel >	
	1° allarme
	2° allarme
	3° allarme
	4° allarme
	Allm Tecnico
	N.supporto
	Prove
Settaggio >	
	Codice ID
	Volume
	Config.di sist>
	Controllo HW >
Ritardi >	
	Delay cabina
	Delay vano
	Delay tecn
	Riaggangiare
	Delay risp
	Ritardo richi.
	Rilievo Voce
Messaggi >	
	Luogo
	Rassicurazione
	Guida
Ora/Giorno >	
	Ora
	Data
Avanzati >	
	Codice accesso
	ID rete
	Test call ON
	FreqCentralino
	Lingua >
	Relay Modalit >
	Relay o/ride >
	Fuso orario
Modelli	
	Caricare Mod
	Salvare Mod
	Cancellare Mod

Sezioni Menu spiegato...

Configurazione di Sistema...

VAD veloce	Consente al C100 di rilevare la voce prima che l'impulso del primo squillo venga inviato lungo la linea.
Tono richiesto	Imposta il C100 per rilevare un tono di chiamata prima di tentare una chiamata in uscita.
Non usare	Se la linea del C100 è interrotta l'unità emette un messaggio acustico di avvertimento, che si ripeterà ogni 3 minuti fino a quando non venga ripristinata la linea telefonica.

Monitoraggio Hardware

Il monitoraggio hardware imposta gli elementi di sistema da controllare quando l'unità completa l'auto-test ed invia una chiamata di test. Di seguito i dettagli.

Controllo HW >		
	Alimentazione	✓
	Batteria	✓
	Linea Tel	✓
	Micro/Altop	✓
	LVAS	x
	Stato GSM	x

Ritardi

È possibile modificare l'intervallo oltre il quale l'unità invia la chiamata.

Delay cabina - Durata (in secondi) della pressione su ciascun pulsante d'allarme del COP necessaria per inviare una chiamata d'emergenza, predefinita in 3 secondi.

Delay vano - Durata (in secondi) della pressione su ciascun pulsante d'allarme dell'unità LVAS (Station di Allarme Vocale Locale) necessaria per inviare una chiamata d'emergenza, predefinita in 3 secondi.

Delay Tecn - Ritardo prima dell'invio di una chiamata tecnica a ricezione di un segnale di guasto da un dispositivo tecnico di terze parti che utilizza l'ingresso tecnico.

Riaggangiare - Tempo in minuti prima che Memcon+ termini una chiamata (tempo di conversazione).

Delay Risp. - Numero di squilli che l'unità C100 deve rilevare prima di rispondere a qualsiasi chiamata entrante. Più unità C100 che condividono la stessa linea devono avere lo stesso ritardo di risposta.

Ritardo Richi - Imposta il ritardo (in secondi) tra composizioni dei diversi numeri da parte del C100. L'impostazione 0 (predefinita) disattiva questa funzione.

Rilievo Voce - Imposta il tempo limite (in secondi) entro cui se il C100 non rileva la voce sulla linea chiude automaticamente la chiamata. L'impostazione 0 (predefinita) disattiva questa funzione.

Opzioni complete di programmazione

Struttura del menu completo

Quickstart >	
Numeri tel >	
	1° allarme
	2° allarme
	3° allarme
	4° allarme
	Allm Tecnico
	N.supporto
	Prove
Settaggio >	
	Codice ID
	Volume
	Config.di sist>
	CONTROLLO HW >
Ritardi >	
	Delay cabina
	Delay vano
	Delay tecn
	Riaggangiare
	Delay risp
	Ritardo richi.
	Rilievo Voce
Messaggi >	
	Luogo
	Rassicurazione
	Guida
Ora/Giorno >	
	Ora
	Data
Avanzati >	
	Codice accesso
	ID rete
	Test call ON
	FreqCentralino
	Lingua >
	Relay Modalit >
	Relay o/ride >
	Fuso orario
Modelli	
	Caricare Mod
	Salvare Mod
	Cancellare Mod

Sezioni Menu spiegato...

Messaggi

Messaggi >	
Luogo	Questo è l'unico messaggio che è necessario registrare. Il messaggio di posizione viene inviato al call-center che riceve la chiamata di allarme per comunicare la posizione dell'ascensore.
Rassicurazione	Messaggio eseguito per informare i passeggeri all'interno dell'ascensore che è stata inviata la chiamata d'allarme
Guida	Se è stato selezionato il protocollo 'Guided' verrà inviato questo messaggio all'operatore del call-center per chiedere di scegliere se ascoltare il messaggio di posizione o essere immediatamente collegato alla cabina dell'ascensore.

Data/Ora

L'ora e la data possono essere impostati inserendo i valori corretti e confermare premendo ✓.

Avanzati

Codice Accesso

In modalità EN81-28 inserire il codice di accesso alla programmazione standard (fino a 6 cifre). Diventerà anche il codice di accesso alla vecchia struttura di menù. Comunque, nella schermata iniziale sarà necessario premere * PASSCODE #.

ID Rete

Impostare un numero di interno da 1 a 8 per le unità che condividono una linea. Tutti gli ID di unità sul sistema devono essere unici.

Test Call ON

Contiene i dettagli della prossima chiamata in background programmata per l'unità.

Freq. Centralino

Se l'unità è collegata ad un PBX che non utilizza toni standard, imposta la frequenza del tono di disconnessione (da 40 a 2.000 Hz in incrementi di 40 Hz).

Lingua

Impostare la lingua richiesta.

Opzioni complete di programmazione

Struttura del menu completo

Quickstart >	
Numeri tel >	
	1° allarme
	2° allarme
	3° allarme
	4° allarme
	Allm Tecnico
	N.supporto
	Prove
Settaggio >	
	Codice ID
	Volume
	Config.di sist>
	CONTROLLO HW >
Ritardi >	
	Delay cabina
	Delay vano
	Delay tecn
	Riaggangiare
	Delay risp
	Ritardo richi.
	Rilievo Voce
Messaggi >	
	Luogo
	Rassicurazione
	Guida
Ora/Giorno >	
	Ora
	Data
Avanzati >	
	Codice accesso
	ID rete
	Test call ON
	FreqCentralino
	Lingua >
	Relay Modalit >
	Relay o/ride >
	Fuso orario
Modelli	
	Caricare Mod
	Salvare Mod
	Cancellare Mod

Sezioni Menu spiegato...

Relay Modalit

È possibile utilizzare il contatto relè dell'unità C100 per commutare l'alimentazione verso un dispositivo esterno, con una delle modalità che seguono.

Relay Modalit >		
Sirena	x	I contatti relè si chiudono quando viene attivato il pulsante di allarme e si riaprono dopo il ritardo impostato. Utilizzato tipicamente per attivare la sirena della cabina.
Porte (NO/CMD)	x	Modalità di sblocco porta, a comando; condizione predefinita del relè=NA: lo sblocco della porta si attiva soltanto se l'operatore preme il tasto '8' sul telefono durante la chiamata d'allarme iniziale o qualsiasi chiamata successiva. Lo sblocco rimane attivo sino al termine della chiamata.
Porte (NC/CMD)	x	Modalità di sblocco porta, a comando; condizione predefinita del relè=NC: lo sblocco della porta si attiva soltanto se l'operatore preme il tasto '8' sul telefono durante la chiamata d'allarme iniziale o qualsiasi chiamata successiva. Lo sblocco rimane attivo sino al termine della chiamata.
Porte (NO/All)	x	Modalità di sblocco porta, su pressione allarme; condizione predefinita del relè=NA. Lo sblocco della porta si attiva appena si illumina il simbolo Allarme e rimane attivo fino a ricezione del segnale di Fine allarme.
Porte (NC/All)	x	Modalità di sblocco porta, su pressione allarme; condizione predefinita del relè=NC. Lo sblocco della porta si attiva appena si illumina il simbolo Allarme e rimane attivo fino a ricezione del segnale di Fine allarme.
Difetto linea	x	I contatti del relè sono normalmente chiusi e si aprono ogniqualvolta viene rilevato un guasto della linea PSTN. Quando la condizione di guasto viene eliminata, i contatti si chiudono di nuovo.
Problema Tecn.	x	Modalità guasto tecnico: i contatti del relè sono normalmente chiusi e si aprono ogniqualvolta C100 rileva un guasto tecnico. Quando la condizione di guasto viene eliminata, i contatti si chiudono di nuovo.
Luce Emergenza	x	Modalità illuminazione d'emergenza: i contatti del relè sono normalmente aperti e si chiudono 1 secondo dopo l'interruzione dell'alimentazione esterna. Ciò consente di utilizzare il relè per commutare l'alimentazione di riserva al dispositivo di illuminazione d'emergenza durante un'interruzione dell'alimentazione esterna. Quando viene ripristinata l'alimentazione esterna i contatti del relè si aprono di nuovo.
Chiam.risposta	x	Se si collega un pulsante allarme a doppia illuminazione ai contatti del relè: quando il call-center risponde alla chiamata d'allarme, il contatto del relè si chiude e attiva l'illuminazione del pulsante d'allarme, che rimane illuminato fino a quando il call-center non termina la chiamata.
Chiam.in corso	✓	Se si collega un pulsante allarme a doppia illuminazione ai contatti del relè: quando viene premuto il pulsante d'allarme, il contatto del relè si chiude e attiva l'illuminazione del pulsante d'allarme, che rimane illuminato fino a quando il call-center non termina la chiamata.

Opzioni complete di programmazione

Struttura del menu completo

Avanzati >	Codice accesso
	ID rete
	Test call ON
	FreqCentralino
	Lingua >
	Relay Modalit >
	Relay o/ride >
	Fuso orario
Modelli	
	Caricare Mod
	Salvare Mod
	Cancellare Mod

Sezioni Menu spiegato...

Relay o/ride

Relay o/ride >	
Spento	Il relè esegue la commutazione secondo le impostazioni in Relay mode.
Aperto	I contatti del relè rimangono aperti fino alla successiva modifica di Relay Override.
Chiuso	I contatti del relè rimangono chiusi fino alla successiva modifica di Relay Override.

Fuso Orario

Non richiede aggiornamento dell'unità. Solo per riferimento.

Schemi

È possibile salvare come schema la selezione corrente di programmazione sul C100 Programming Tool (C100 PT) per consentire la 'Programmazione one touch'.

Sul C100 PT è possibile memorizzare fino ad otto schemi di programmazione.

Caricamento di uno schema

1. Per caricare uno schema di programmazione sul telefono C100:
2. Selezionare lo schema richiesto dall'elenco e premere ✓
3. Nella schermata di conferma premere ✓ per caricare lo schema o premere ✕ per annullare l'operazione
4. Se non è stato salvato alcuno schema sul C100 PT l'elenco sarà vuoto

Memorizzazione di uno schema

1. Per salvare la selezione della programmazione corrente sul C100 PT come schema:
2. Selezionare (NEW TMEPLATE) e premere ✓
3. Nella schermata di conferma premere ✓ per caricare lo schema o premere ✕ per annullare l'operazione
4. Il C100 PT assegnerà automaticamente un nome allo schema (iniziando da 'TEMPLATE 1').
5. Per sovrascrivere uno schema esistente con la selezione di programmazione corrente sul C100 PT:
6. selezionare dall'elenco lo schema che si desidera sovrascrivere e premere ✓
7. Nella schermata di conferma premere ✓ per caricare lo schema o premere ✕ per annullare l'operazione

Cancellare uno schema

1. Per cancellare uno schema dal C100 PT:
2. selezionare lo schema richiesto dall'elenco e premere ✓
3. Se non è stato salvato alcuno schema sul C100 PT l'elenco sarà vuoto
4. Nella schermata di conferma premere ✓ per caricare lo schema o premere ✕ per annullare l'operazione

